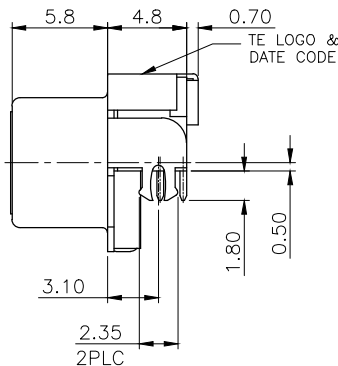
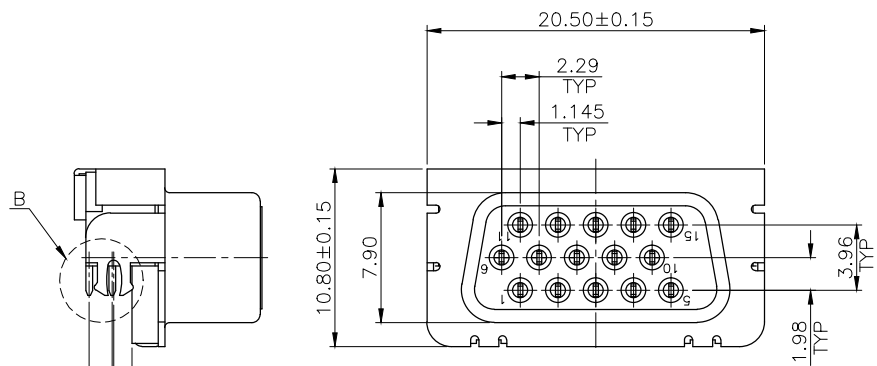
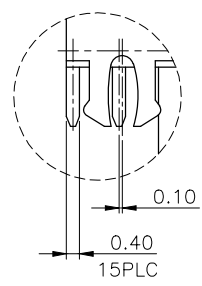


THIS DRAWING IS UNPUBLISHED. RELEASED FOR PUBLICATION AUG ,2006.  
 © COPYRIGHT BY TYCO ELECTRONICS CORPORATION. ALL RIGHTS RESERVED.

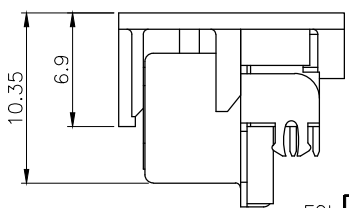
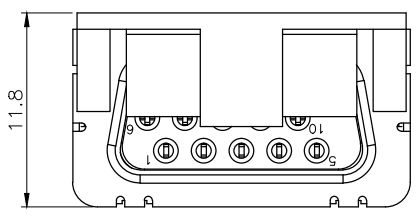
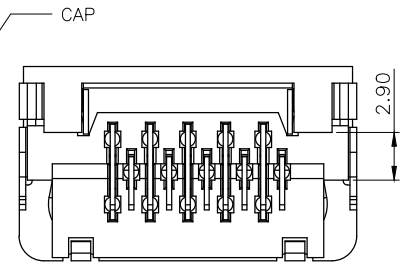
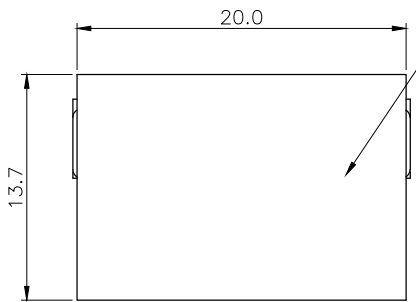
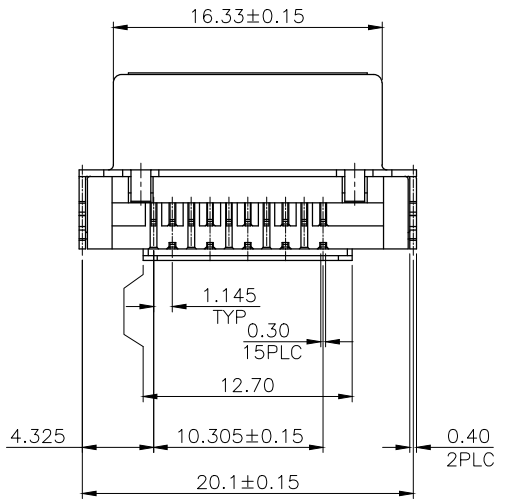
LOC	DIST	REVISIONS					
DW	-	P	LTR	DESCRIPTION	DATE	DWN	APVD
		D3		REVISED (ECR-14-005336)	22JUL14	SW	HL



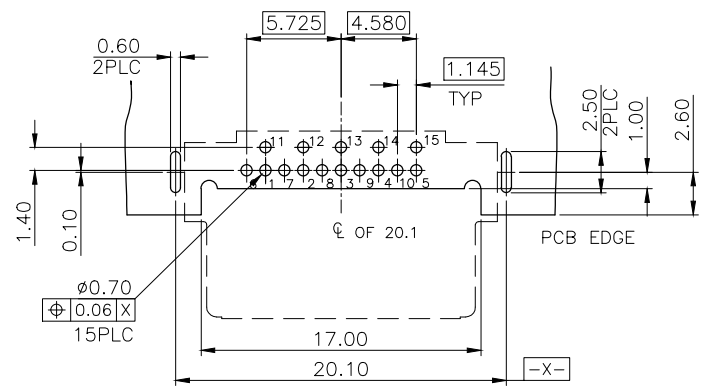
- NOTES:
- MATERIAL:  
HOUSING: PA9T, UL 94V-0, COLOR: BLACK.  
CAP: PA6T, UL 94V-0, COLOR: BLACK.  
CONTACTS: BRASS.  
FRONTSHELL: SPCC.  
REARSHELL: SPCC.
  - FINISH:  
CONTACTS: GOLD FLASH PLATED ON CONTACT AREA,  
2.54um[100u"] MIN. MATTE-TIN PLATED ON SOLDER TAIL,  
1.27um[50u"] MIN. NICKEL UNDERPLATED OVER ALL.  
FRONTSHELL: 2.54um[100u"] MIN. NICKEL OR BLACK NICKEL PLATED.  
REARSHELL: 2.54um[100u"] MIN. NICKEL OR BLACK NICKEL PLATED.
  - RECOMMENDED PCB THICKNESS: 1.2mm.
  - REFLOW SOLDER CAPABLE TO 260°C PER TE SPEC 109-201, CONDITION B.
- △ NO BOARD LOCK FUNCTION.



DETAIL B  
SCALE 2:1



CONNECTOR WITH CAP  
(REFERENCE)



△ RECOMMEND P.C.B LAYOUT(T=1.20mm)  
TOP VIEW(TOLERANCE:±0.05)

EOL	BLACK NICKEL	1775763-2
	NICKEL	1775763-1
	FRONT & REAR SHELL PLATED	PART NUMBER

THIS DRAWING IS A CONTROLLED DOCUMENT.		DWN B. HSING	16APR2009	Tyco Electronics Corporation Taipei, Taiwan	
DIMENSIONS: MM		CHK S. CHIEN	16APR2009	NAME	
TOLERANCES UNLESS OTHERWISE SPECIFIED:		APVD W. KODAMA	16APR2009	PRODUCT SPEC	
0 PLC ± -		108-57584		QUALIFICATION TEST REPORT	
1 PLC ± 0.30		501-57794		RESTRICTED TO	
2 PLC ± 0.25		WEIGHT		SIZE	
3 PLC ± 0.15		4.0 GRAMS		CAGE CODE	
4 PLC ± -		CUSTOMER DRAWING		DRAWING NO	
ANGLES ± 3°		SCALE -		SHEET 1 OF 3	
MATERIAL		SEE NOTE		REV D3	

4

3

2

1

THIS DRAWING IS UNPUBLISHED.

RELEASED FOR PUBLICATION AUG ,2006.

© COPYRIGHT - BY TYCO ELECTRONICS CORPORATION. ALL RIGHTS RESERVED.


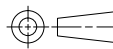
LOC DIST  
DW

REVISIONS

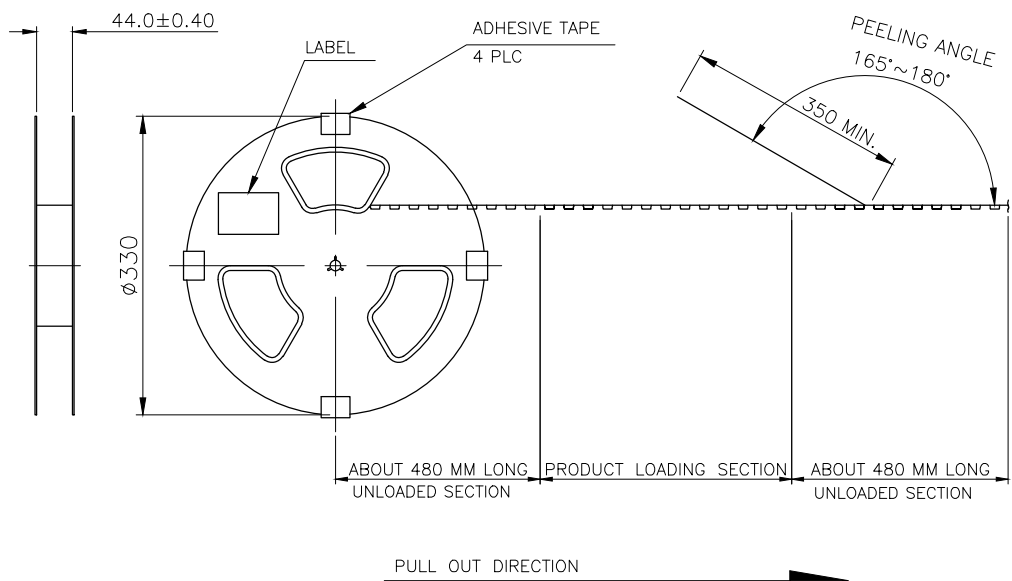
P	LTR	DESCRIPTION	DATE	DWN	APVD
		SEE SHEET 1.			

OBSOLETE

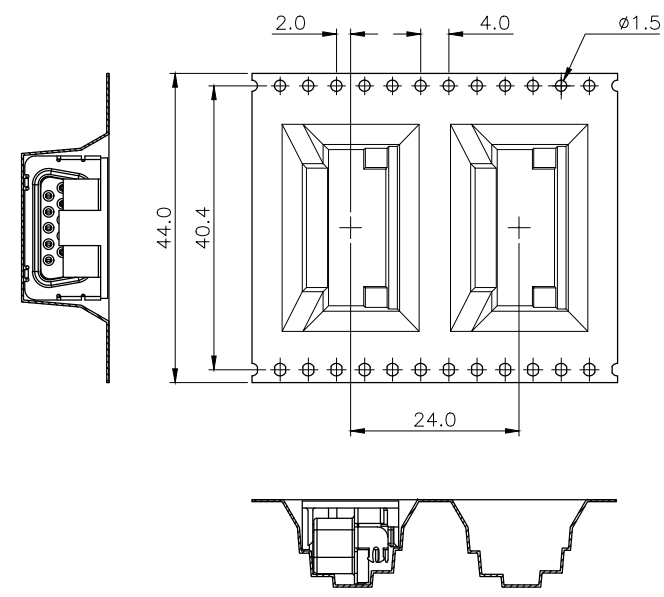
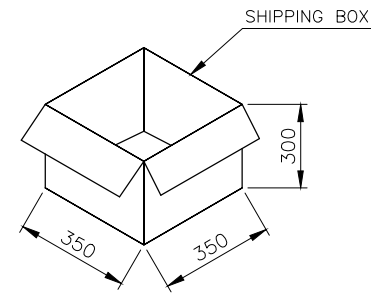
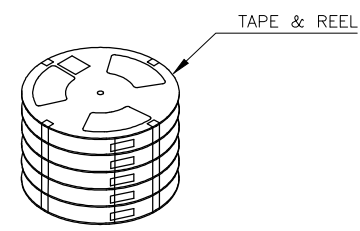
EOL	2-1775763-1
EOL	1-1775763-1
	PART NUMBER

THIS DRAWING IS A CONTROLLED DOCUMENT.		DWN	 Tyco Electronics Corporation Taipei, Taiwan		
DIMENSIONS: MM 		CHK	NAME		
TOLERANCES UNLESS OTHERWISE SPECIFIED: 0 PLC ± - 1 PLC ± 0.30 2 PLC ± 0.20 3 PLC ± 0.20 4 PLC ± - ANGLES ± 3°		APVD	D-SUB, 15P, R/A, SLIM, RVS, DIP		
MATERIAL		PRODUCT SPEC	SIZE	CAGE CODE	DRAWING NO
FINISH		APPLICATION SPEC	A3	00779	C=1775763
		WEIGHT	3.8 GRAMS		RESTRICTED TO
		CUSTOMER DRAWING	SCALE	SHEET	2 OF 3 REV D3

LOC	DIST	REVISONS					
DW		P	LTR	DESCRIPTION	DATE	DWN	APVD
				SEE SHEET 1.			



- NOTES:
- DIMENSION:  
REEL:  $\phi = 330$ .  
SHIPPING BOX: L=350, W=350, H=300.
  - QUANTITY: SEE TABLE.
  - SHIPPING BOX WEIGHT: SEE TABLE.



200	6	1200	7.5	4.2
PCS/ REEL	REELS/ SHIPPING BOX	QUANTITY (PCS)	G/W (Kg)	N/W (Kg)

THIS DRAWING IS A CONTROLLED DOCUMENT.		DWN	Tyco Electronics Corporation Taipi, Taiwan	
DIMENSIONS: MM		CHK	NAME D-SUB, 15P, R/A, SLIM, RVS, DIP	
TOLERANCES UNLESS OTHERWISE SPECIFIED:		APVD	SIZE A3	
0 PLC ± -		PRODUCT SPEC	CAGE CODE 00779	DRAWING NO C=1775763
1 PLC ± -		APPLICATION SPEC	RESTRICTED TO	
2 PLC ± -		WEIGHT	-	
3 PLC ± -		CUSTOMER DRAWING	SCALE	SHEET 3 of 3
4 PLC ± -				REV D3
ANGLES ± -				
FINISH				
MATERIAL				