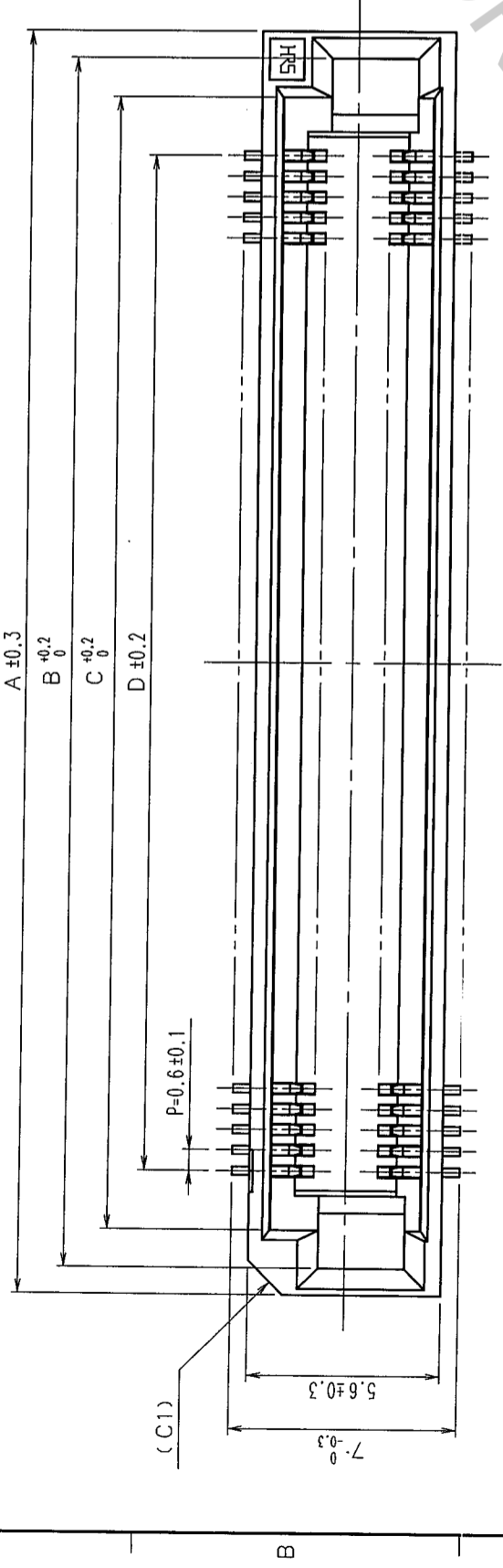
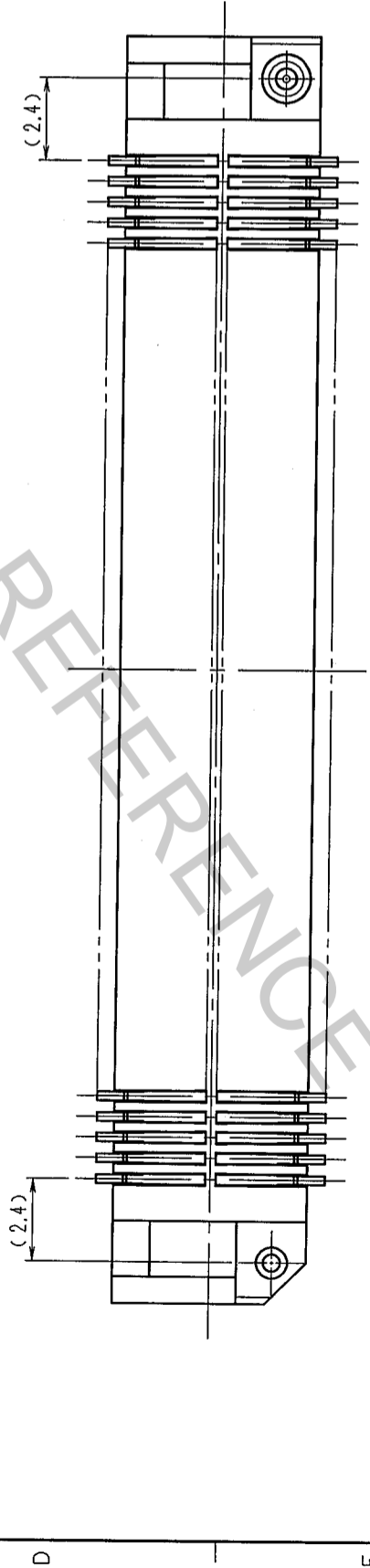
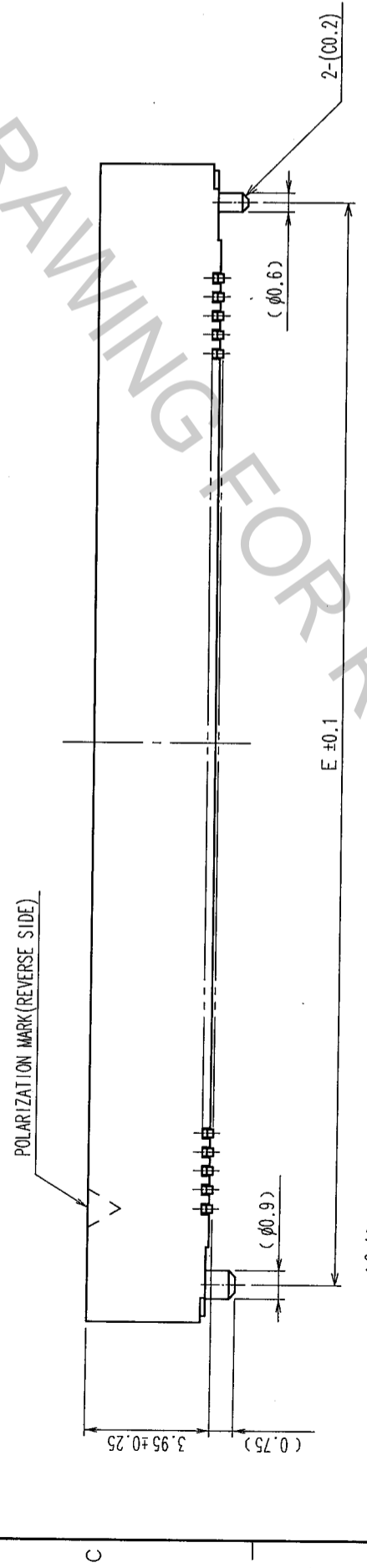
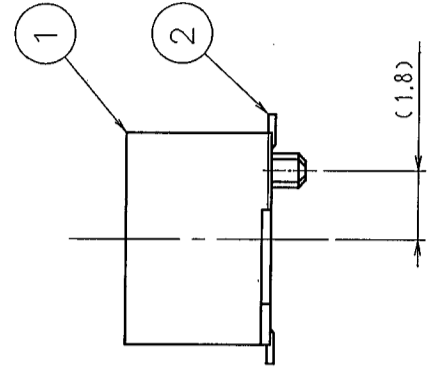
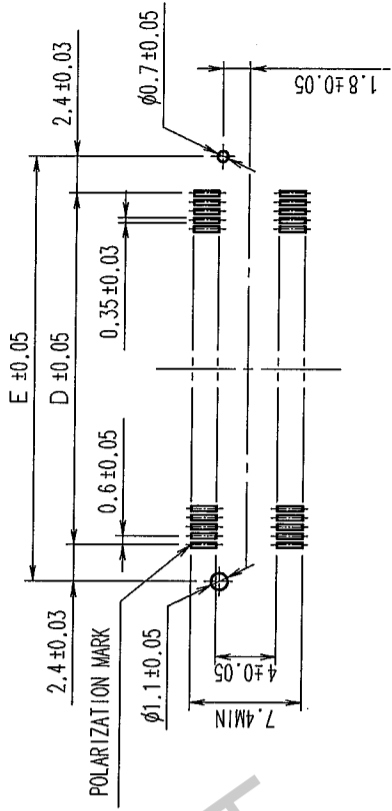


COUNT	DESCRIPTION OF REVISIONS	BY	CHKD	DATE	COUNT	DESCRIPTION OF REVISIONS	BY	CHKD	DATE



RECOMMENDED LAND PATTERN DIMENSION OF PCB(MOUNTING SIDE) (2:1)



CL No.	PART No.	A	B	C	D	E
CL578-0801-2-91	FX8C-60S-SV(91)	24.6	23.05	20.8	17.4	22.2
CL578-0803-8-91	FX8C-80S-SV(91)	30.6	29.05	26.8	23.4	28.2
CL578-0805-3-91	FX8C-100S-SV(91)	36.6	35.05	32.8	29.4	34.2
CL578-0806-6-91	FX8C-120S-SV(91)	42.6	41.05	38.8	35.4	40.2
CL578-0807-9-91	FX8C-140S-SV(91)	48.6	47.05	44.8	41.4	46.2

1	POLYPHENYLENE SULFIDE	LIGHT BROWN	UL94V-0	2	PHOSPHOR BRONZE	CONTACT AREA : GOLD 0.1μm min. MOUNTING AREA : GOLD FLASH	
NO.	MATERIAL	FINISH, REMARKS	NO.	MATERIAL	FINISH, REMARKS	UNDER PLATING : NICKEL 1.5μm min.	
CODE NO. (OLD)				CODE NO. (NEW)			
DRAWN		DESIGNED		CHECKED		APPROVED	
T. Noda		K. Doi		H. Okawa		H. Okawa	
'05.03.16		'05.03.16		'05.03.16		'05.03.16	
DRAWING NO. EDC3-151022-21				PART NO. FX8C-***S-SV(91)			
SCALE 5 : 1				CODE NO. CL578			
UNITS mm				HIROSE ELECTRIC CO., LTD			

- NOTE 1 LEAD CO-PLANARITY SHALL BE 0.1 mm MAX.  
 2 FOR DETAILS,SEE THE SECTION CONCERNING THE DELIVERY FORM ON NEXT PAGE.  
 3 FOR MODIFICATION,ETC.,PREVENTIVE HOLE FOR SINK MARK MAY BE ADDED DEPENDS ON CIRCUMSTANCES.  
 4 THE DIMENSIONS IN PARENTHESES ARE FOR REFERENCE.

TO	
PCK	

