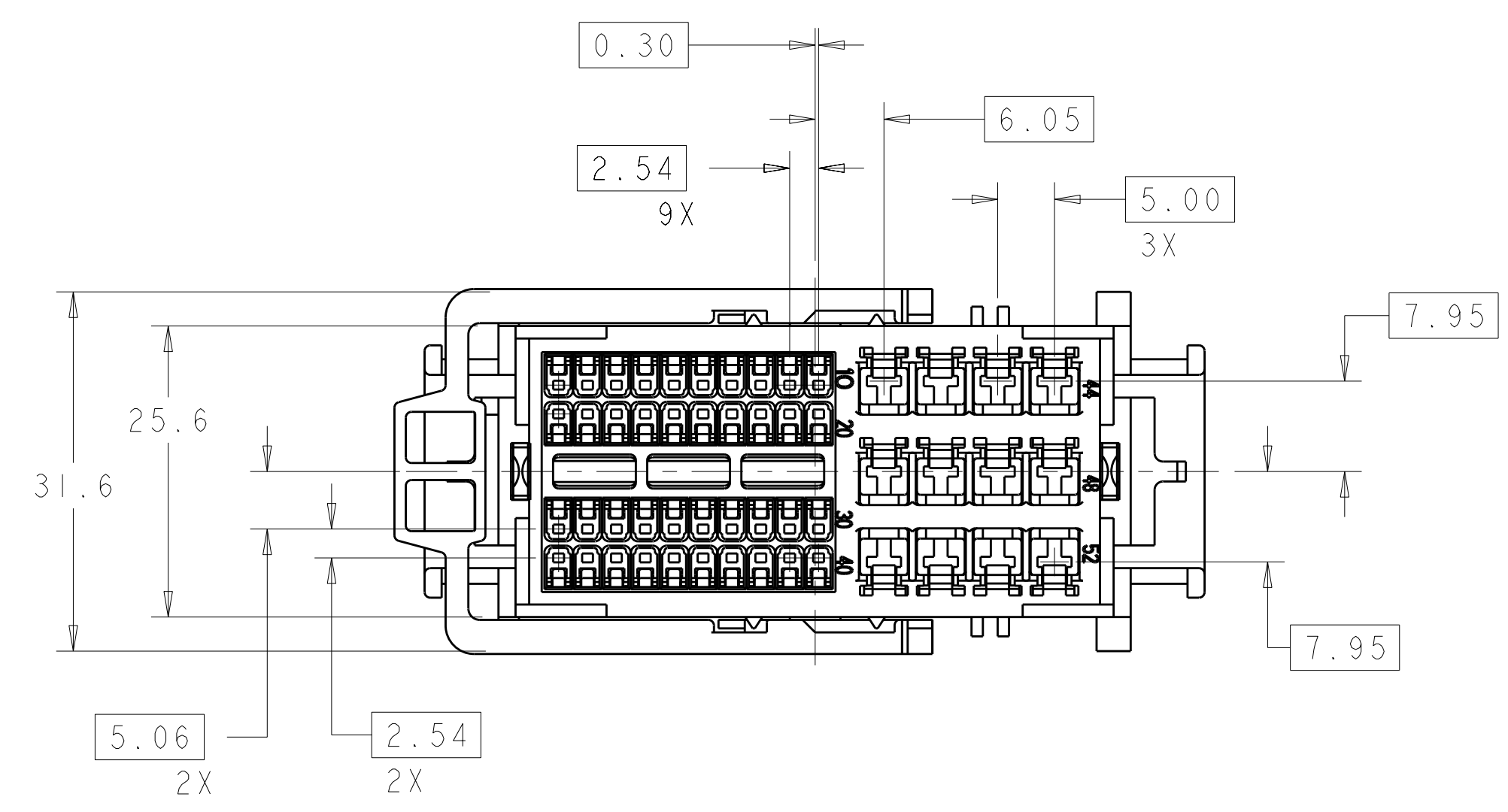
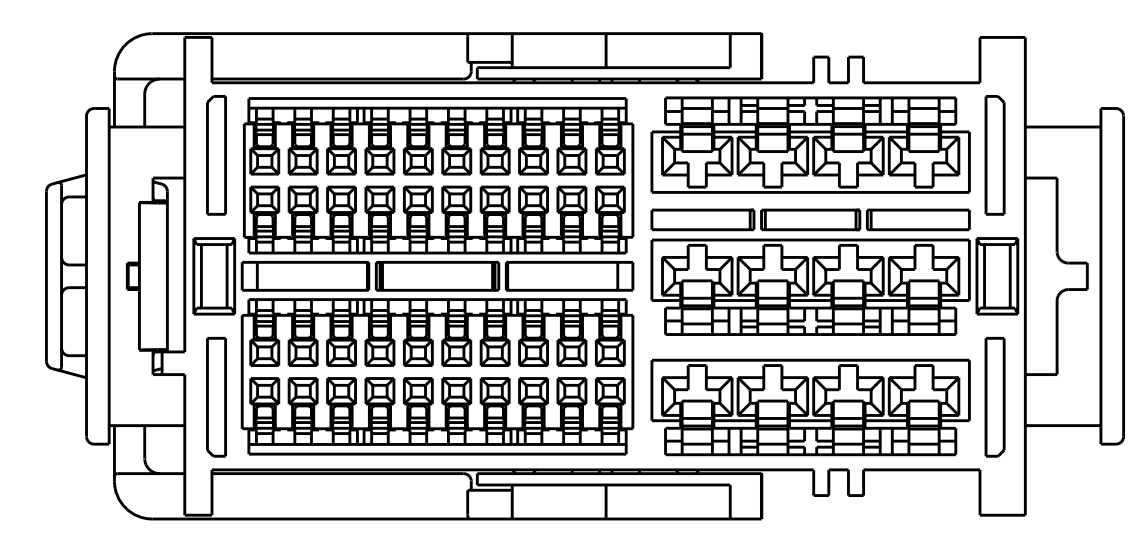
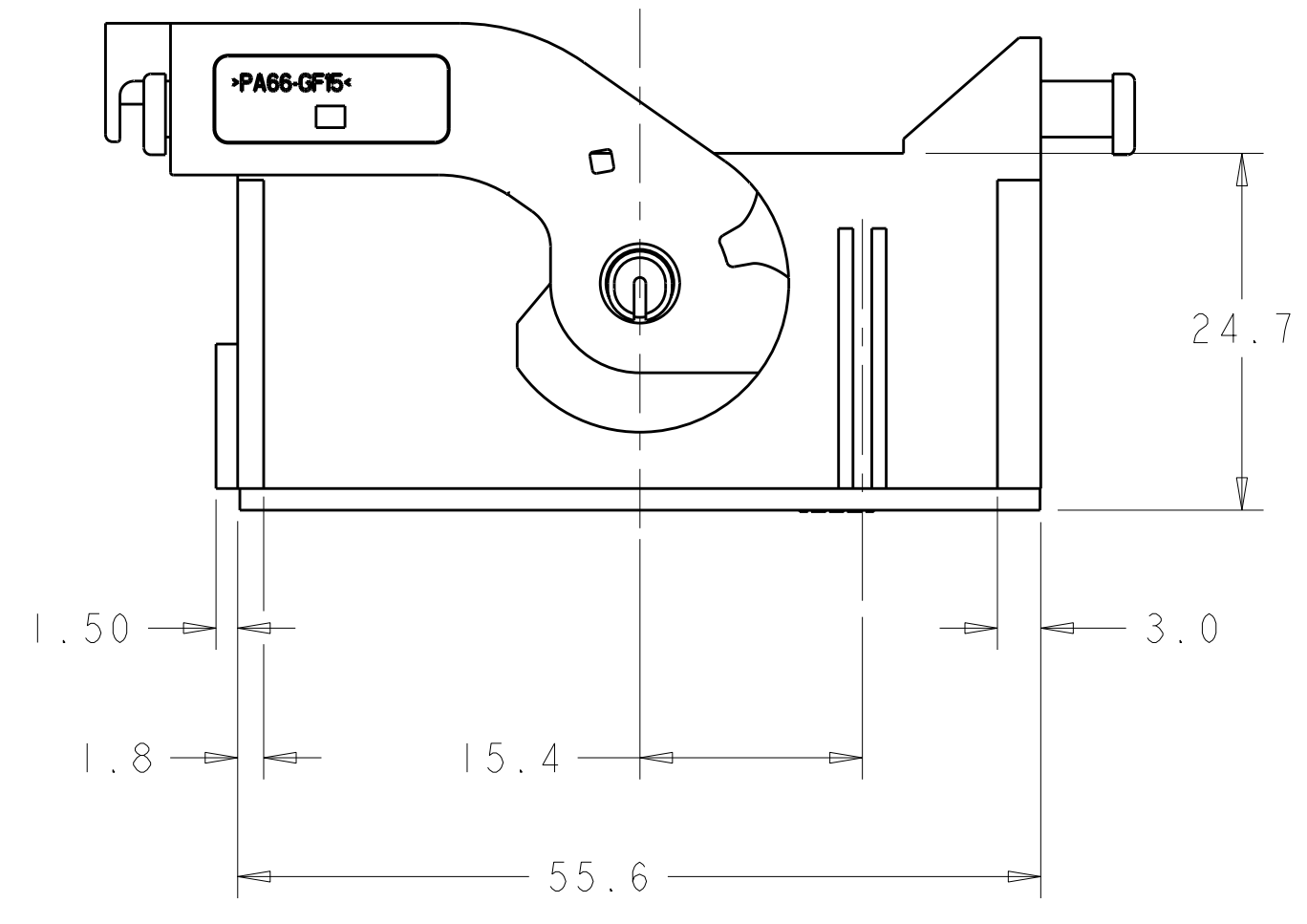
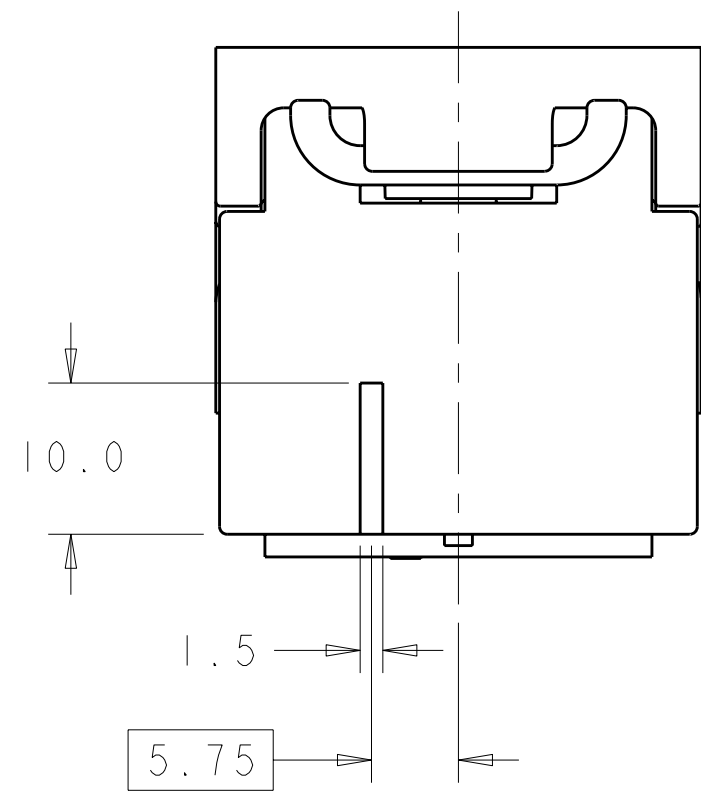


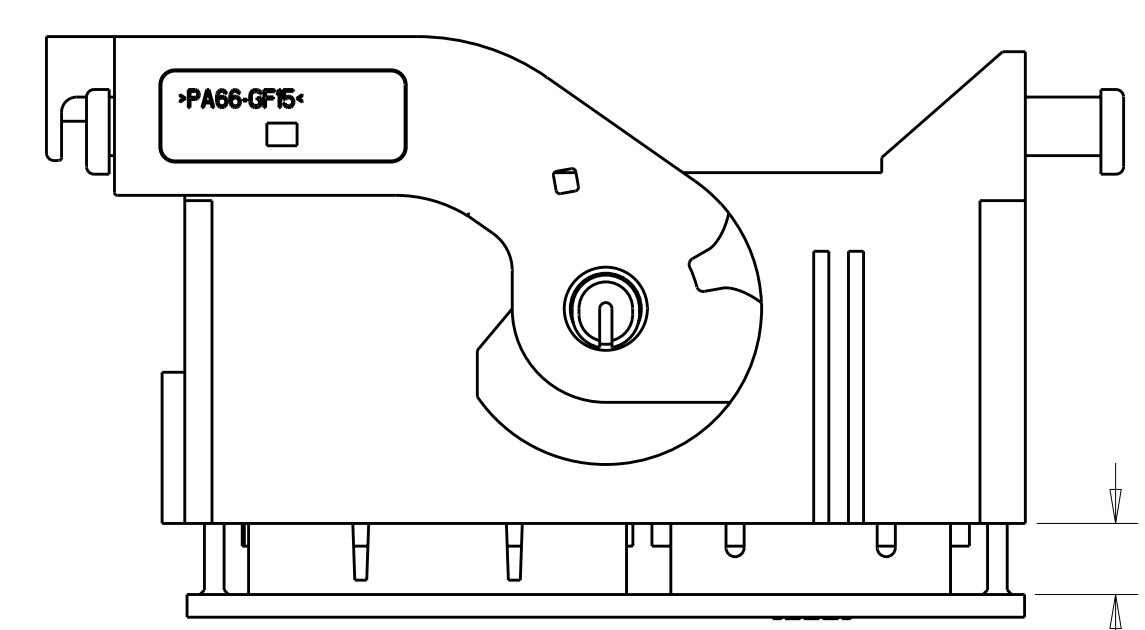
LOC	DIST	REVISIONS			
FX	00	REV	DATE	BY	APPV
		C	REVISD PER ECR 06-011954	17MAY2006	DLD AME
		C1	REVISD PER ECO-10-016879	16AUG2010	DLD CJS



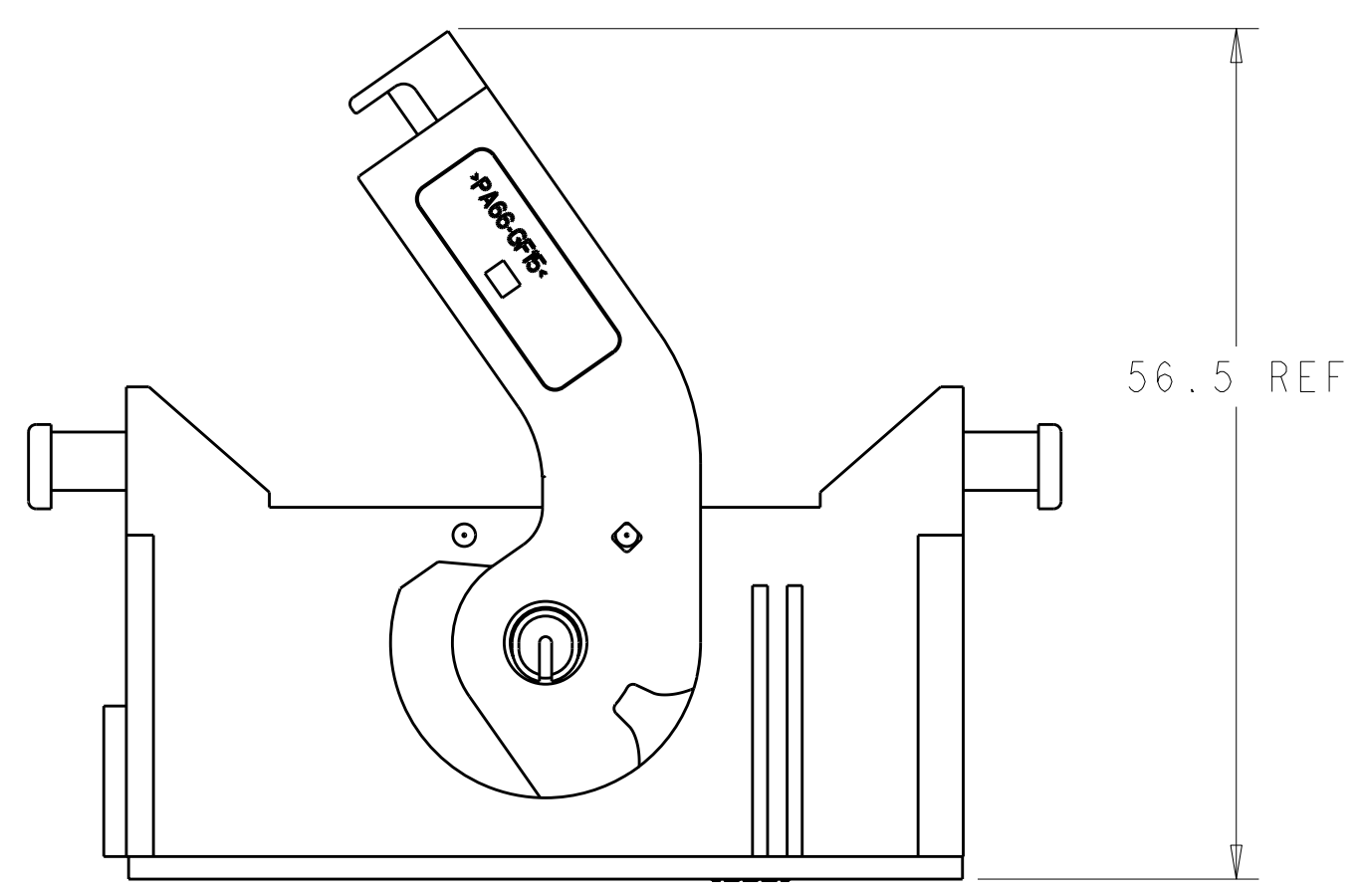
△ MATERIAL:
 PLUG HOUSING - NYLON, 35% GLASS FILLED, BLACK.
 LEVER - NYLON, 15% GLASS FILLED, BLACK.
 TPA - PBT, 15% GLASS FILLED, RED.



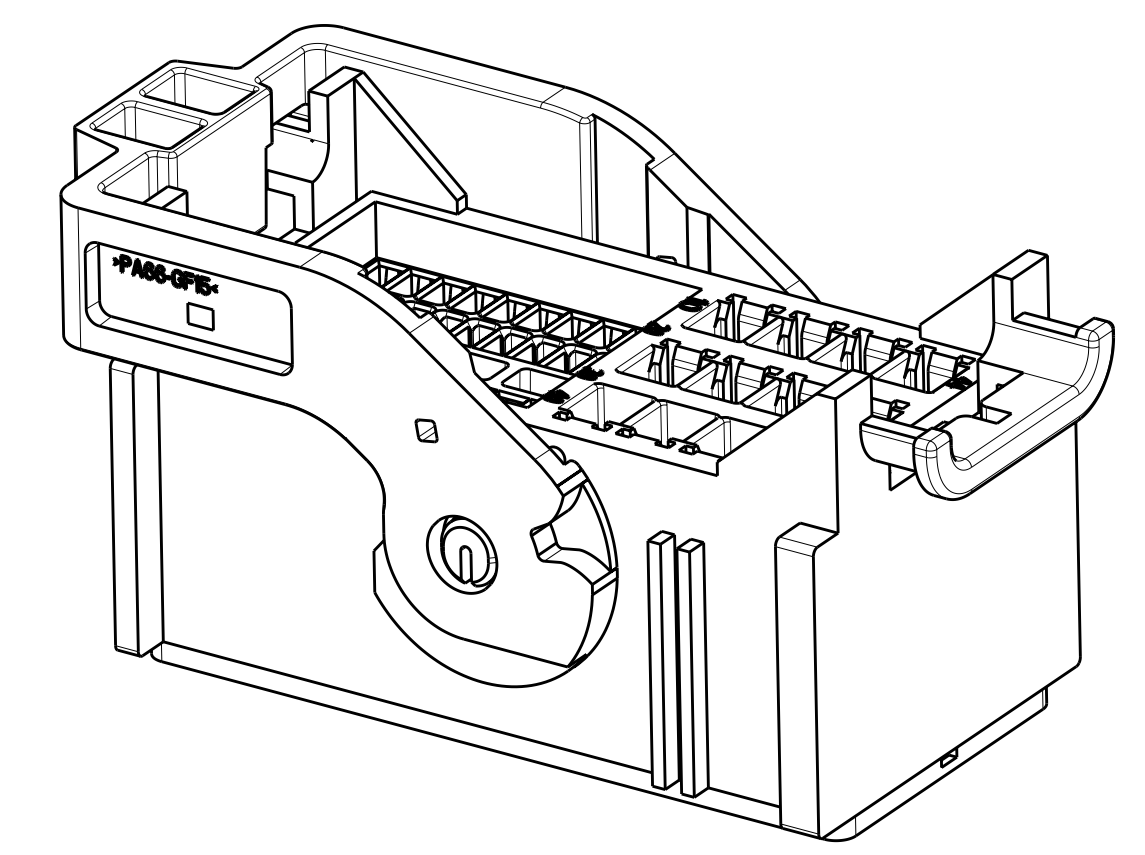
TPA REMOVED FOR CLARITY



SHIPPING CONFIGURATION



INSTALLATION CONFIGURATION

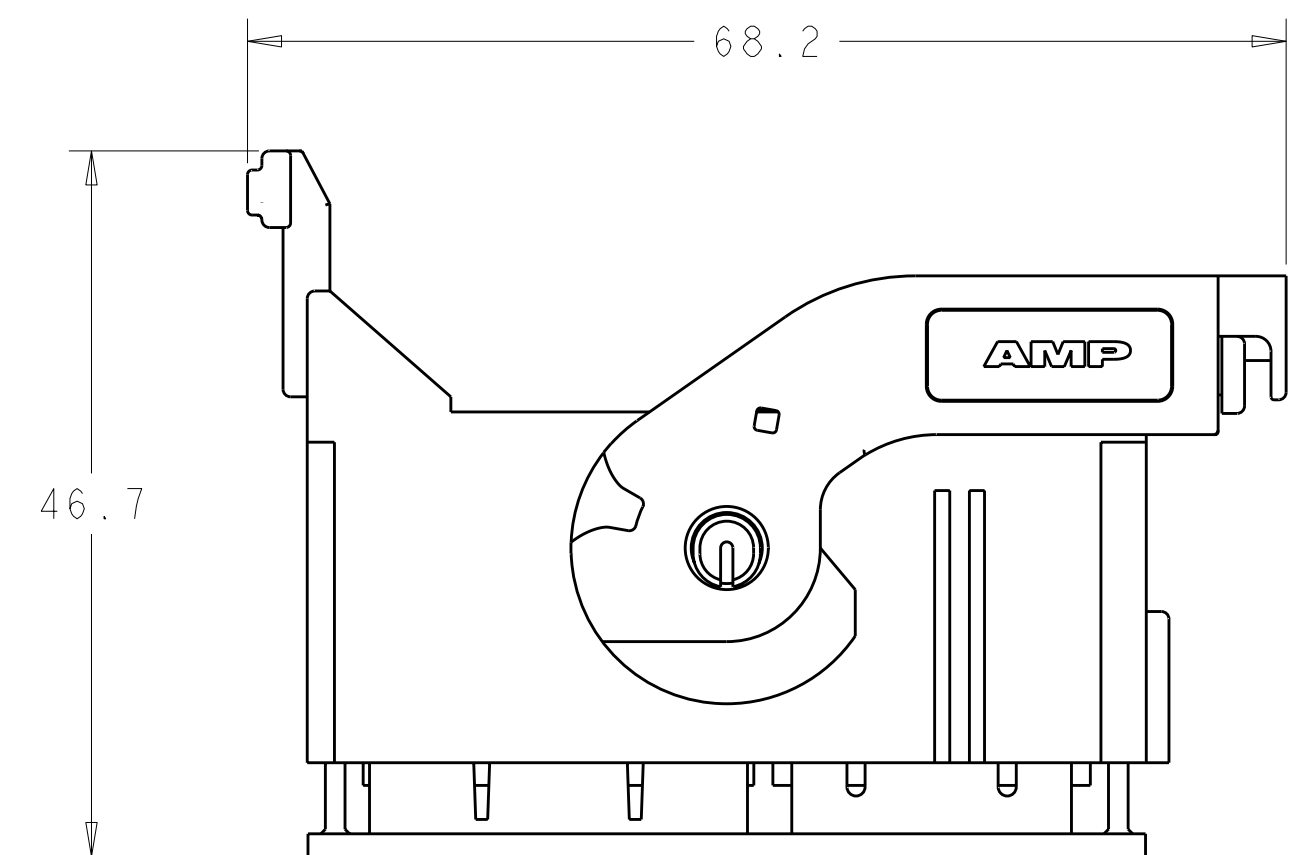


776932-1

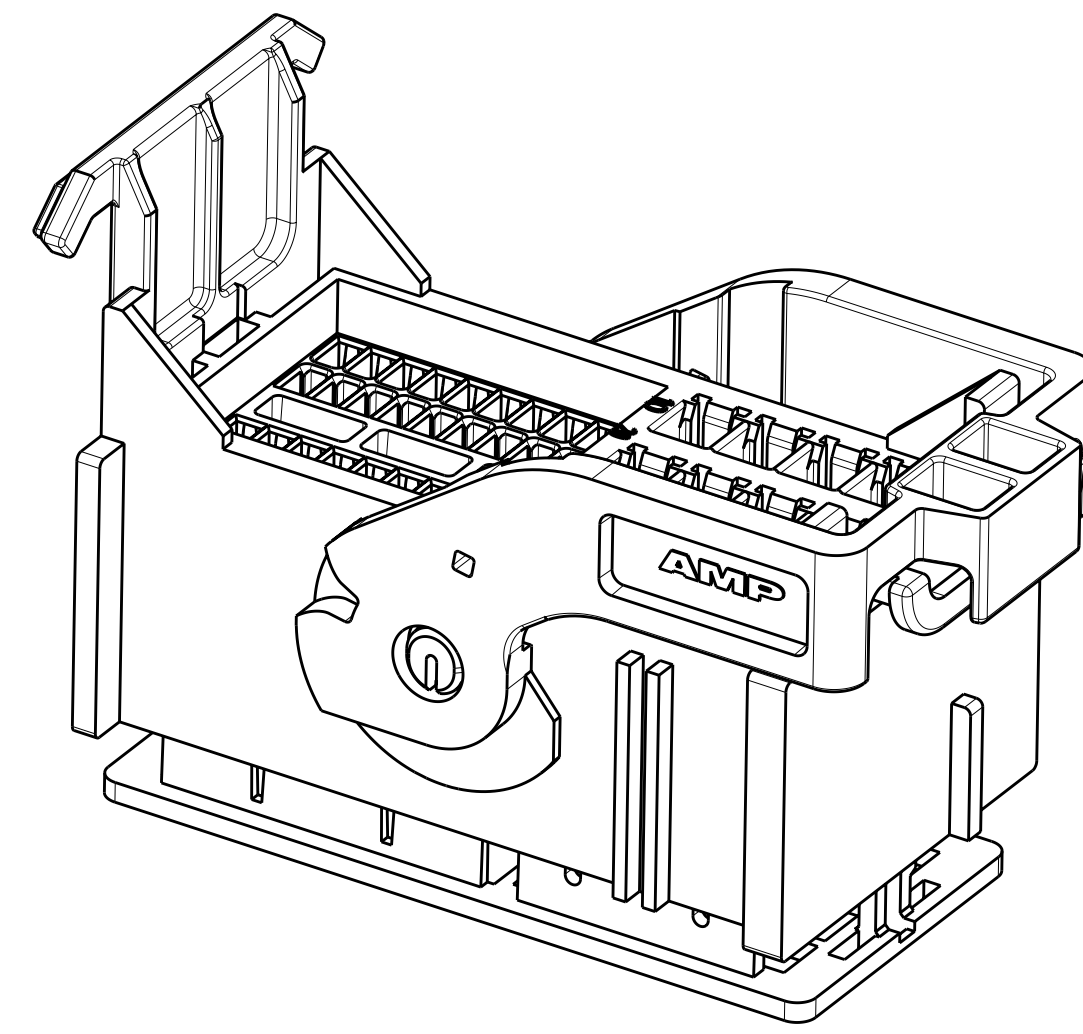
776932-4
776932-3
776932-1
PART NUMBER

<small>THIS DRAWING IS UNPUBLISHED. RELEASED FOR PUBLICATION BY TYCO ELECTRONICS CORPORATION. IT IS SUBJECT TO CHANGE WITHOUT NOTICE AND WITHOUT OBLIGATION. SHOULD BE CONTACTED FOR THE LATEST REVISION.</small>		DWN: R. VESTAL 23NOV05 CHK: A. EBRAHEEM 23NOV05 APVD: A. EBRAHEEM 23NOV05	Tyco Electronics Harrisburg, PA 17105-3608
DIMENSIONS: mm TOLERANCES UNLESS OTHERWISE SPECIFIED: 9 PLC ± 1 PLC ±0.2 3 PLC ±0.10 5 PLC ± 4 PLC ± ANGLES ± FINISH	PRODUCT SPEC APPLICATION SPEC WEIGHT CUSTOMER DRAWING	NAME: PLUG ASSEMBLY, 52 POSITION, 2.8mm AND 0.64mm, TERMINAL SIZE: A1100779 CAGE CODE: C=776932 DRAWING NO: 776932-1 RESTRICTED TO:	Tyco Electronics Harrisburg, PA 17105-3608
MATERIAL: △ FINISH:		SCALE: 1:1 SHEET: 1 OF 2 REV: C1	

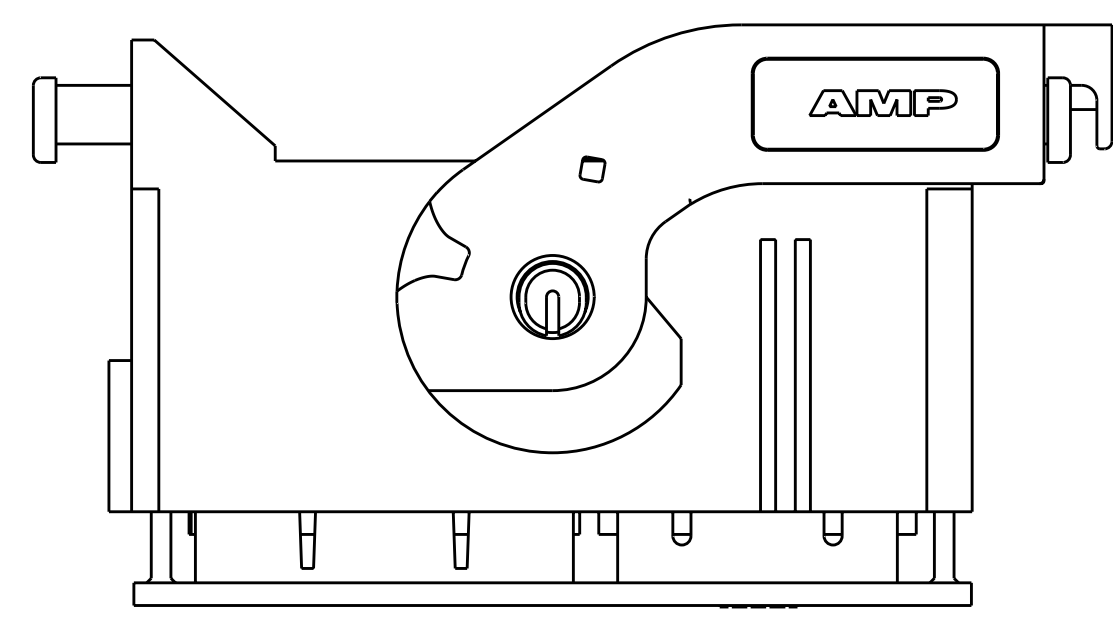
LOC	DIST	REVISIONS					
		P	LTB	DESCRIPTION	DATE	DWN	APVD
FX	00	-	-	SEE SHEET 1	-	-	-



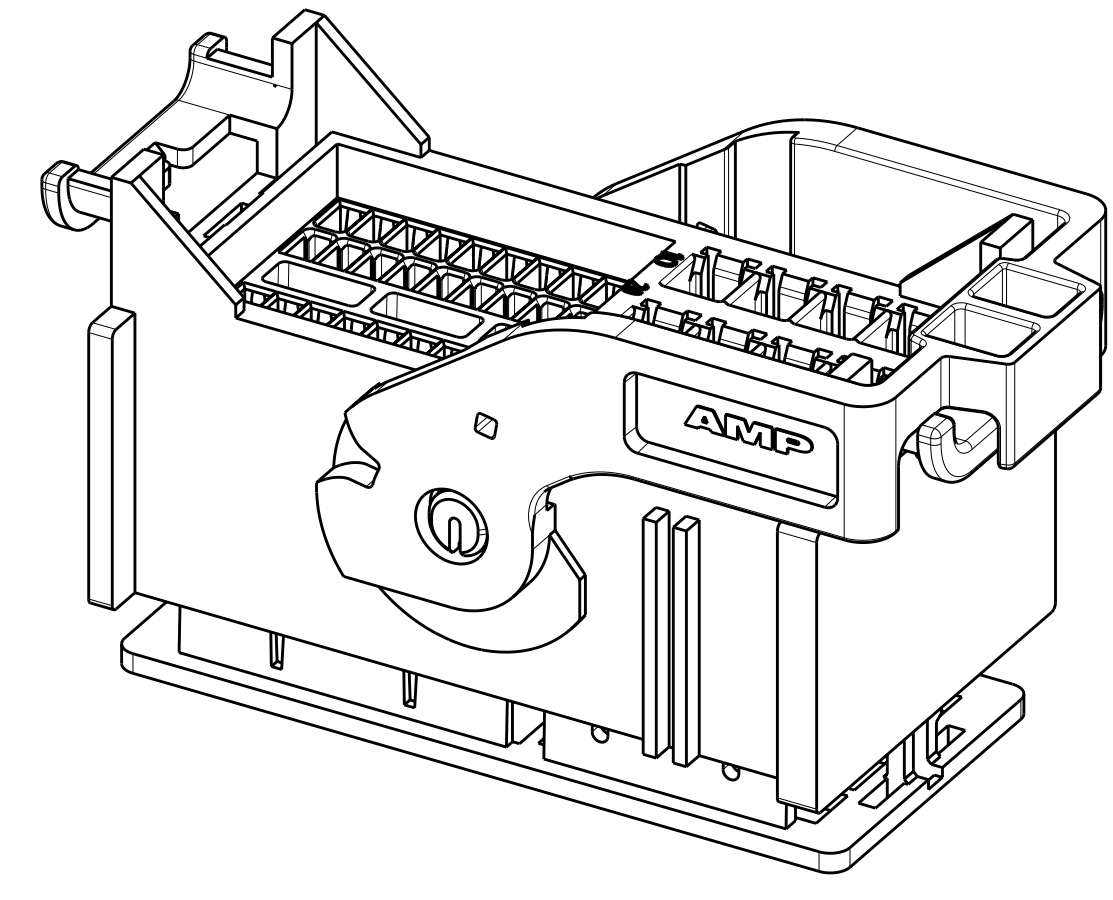
SHIPPING CONFIGURATION



776932-3



SHIPPING CONFIGURATION



776932-4

<small>THIS DRAWING IS UNPUBLISHED. RELEASED FOR PUBLICATION 20. THIS IS SUBJECT TO CHANGE. FOR THE LATEST REVISIONS, CONTACT THE CUSTOMER OR THE DRAWING ENGINEER. DIMENSIONS SHOULD BE CONTACTED FOR THE LATEST REVISION.</small>		DWN: R. VESTAL 23NOV05 CHK: A. EBRAHEEM 23NOV05 APVD: A. EBRAHEEM 23NOV05	Tyco Electronics Harrisburg, PA 17105-3608
DIMENSIONS: mm 	TOLERANCES UNLESS OTHERWISE SPECIFIED: 9 PLC ± 1 PLC ±0.2 2 PLC ±0.10 3 PLC ± 4 PLC ± ANGLES ± FINISH ±	NAME: PLUG ASSEMBLY, 52 POSITION, 2.8mm AND 0.64mm, TERMINAL PRODUCT SPEC: APPLICATION SPEC: WEIGHT: CUSTOMER DRAWING	SIZE: A1100779C-776932 SCALE: 2:1 SHEET: 2 OF 2 REV: C1