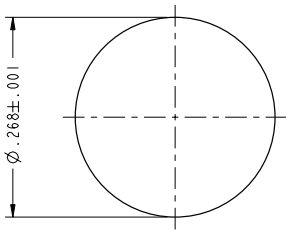


930-105J-51S		REVISIONS	
DRAWING NO.	REV	DESCRIPTION	DATE
THIRD ANGLE PROJ.	A	RELEASE TO MFG.	8/28/03
			ECO
			44597
			APPR
			CZ

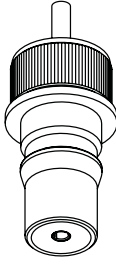
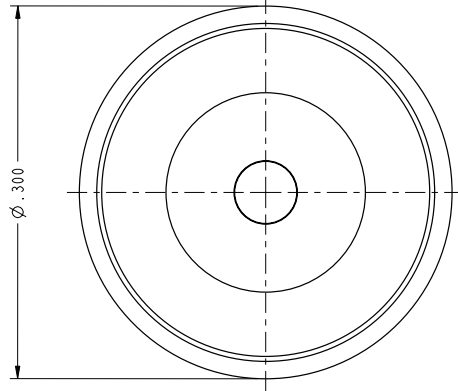
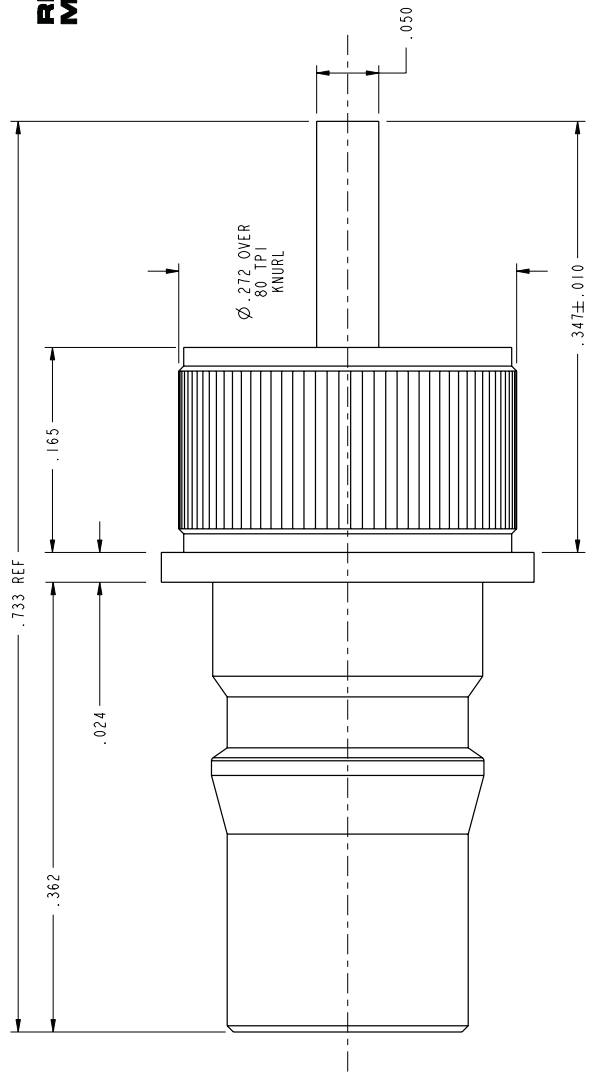
NOTES:

- DO NOT SCALE THIS DRAWING.
- MATERIALS AND FINISHES:
BODY - BRASS, WHITE BRONZE PLATING (.000080 THICK MIN) OVER NICKEL
CONTACT - BeCu, GOLD PLATING (.000030 THICK MIN) OVER NICKEL
INSULATOR - PTFE
- ELECTRICAL:
A. IMPEDANCE: 50 OHM
B. FREQUENCY RANGE: DC - 6 GHz
C. VSWR(RETURN LOSS): -32 dB TO 3 GHz MAX.; -25 dB TO 6 GHz MAX.
- MECHANICAL:
A. DURABILITY: 500 CYCLES MIN
B. TEMPERATURE RANGE: -40°C - +80°C
C. RECOMMENDED MOUNTING HOLE: $\pm .268 \pm .001$
- PACKAGING:
A. QUANTITY: SINGLE PACK
B. MARKING: BAG TO BE MARKED
C. "AMPHENOL, 930-105J-51S, AND DATE CODE"



SCALE 6.000

RECOMMENDED MOUNTING HOLE



SCALE 3.000

UNLESS OTHERWISE SPECIFIED, DIMENSIONS ARE IN INCHES AND TOLERANCES ARE: 2 PLACE DECIMAL 3 PLACE DECIMAL ANGLES $\pm .015$ ($\pm .381$ mm) $\pm .005$ ($\pm .127$ mm)		DRAWN C. ZHANG		DATE 8/18/03		TITLE QMA JACK PRESS-FIT RECEPTACLE		Amphenol RF Danbury, CT, USA Tainan, Taiwan Shenzhen, China www.amphenolrf.com	
NOTICE - These drawings, specifications, or other data (1) are, and remain the property of Amphenol Corp. (2) must be returned upon request; and (3) are confidential and not to be disclosed to any person other than those to whom they are given by Amphenol Corp. The furnishing of these drawings, specifications, or other data by Amphenol Corp., or to any other person for any purpose is not to be regarded by implication or otherwise in any manner licensing, granting rights, or permitting such holders to use or sell any other person's manufacture, use or sale of any product or process, or other data, in any way related to or disclosed by, said drawings, specifications, or other data.		ENGINEER C. ZHANG		DATE 8/18/03		APPROVED O. BARTHELMES		SCALE: 10.0:1 SHEET 2 OF 2	
REFERENCE EAR #655 615X-1823-100		CAD FILE 1:QMA930-105J-51S		CODE ID 74868		DWG SIZE B		DRAWING NO. 930-105J-51S	
GEN# ASSYF1_QMA								REV A	

CUSTOMER OUTLINE DRAWING
ALL OTHER SHEETS ARE FOR INTERNAL USE ONLY