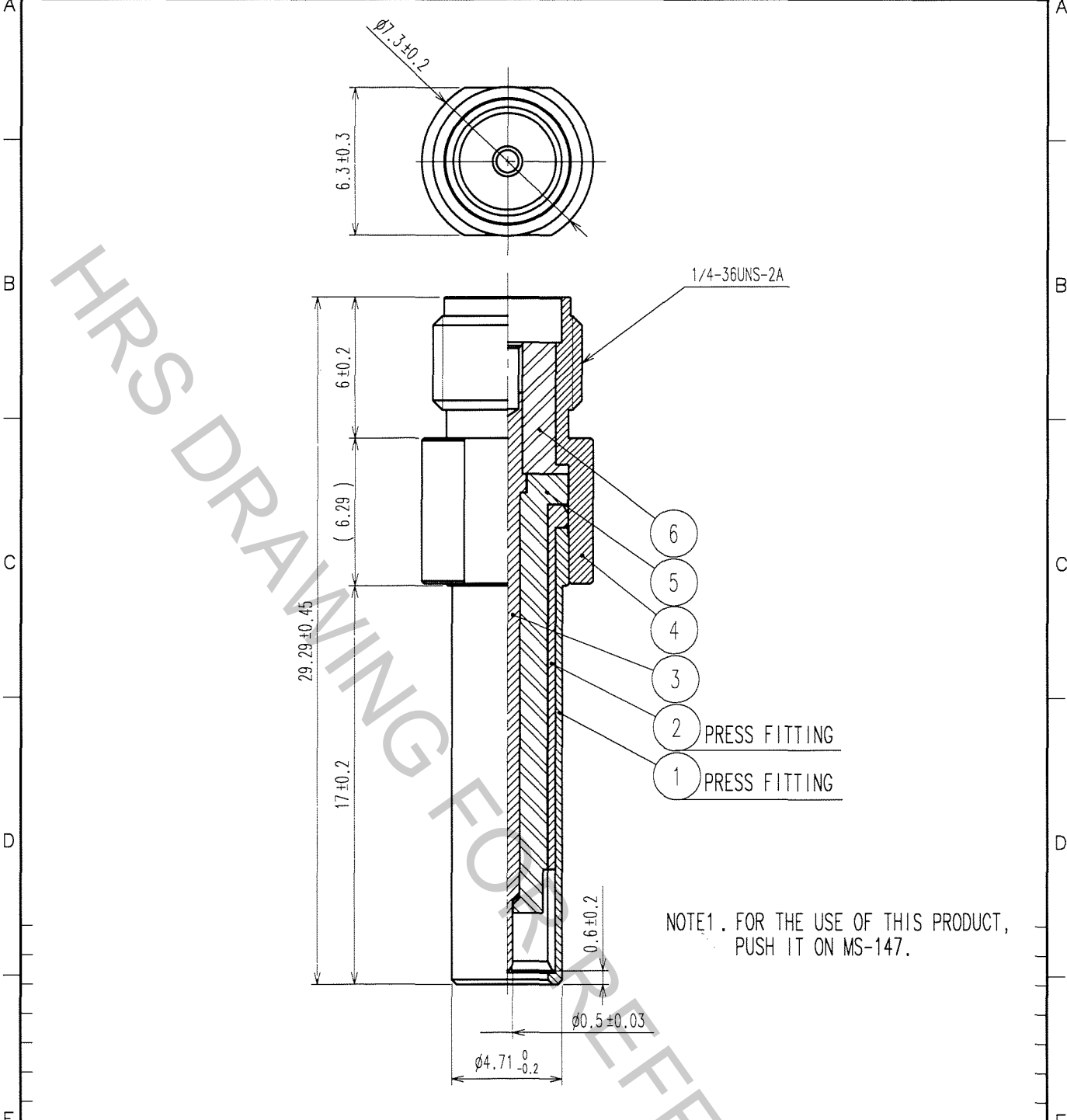


Apr.1.2017 Copyright 2017 HIROSE ELECTRIC CO., LTD. All Rights Reserved.

1		2			3			4		
COUNT	DESCRIPTION OF REVISIONS	BY	CHKD	DATE	COUNT	DESCRIPTION OF REVISIONS	BY	CHKD	DATE	
△					△					
△					△					
△					△					



NOTE1. FOR THE USE OF THIS PRODUCT, PUSH IT ON MS-147.

3	BERYLLIUM COPPER	GOLD PLATING	6	PTFE	
2	PHOSHOR BRONZE	NICKEL PLATING	5	PTFE	
1	PHOSHOR BRONZE	NICKEL PLATING	4	STAINLESS STEEL	PASSIVATE
NO.	MATERIAL	FINISH, REMARKS	NO.	MATERIAL	FINISH, REMARKS

CODE NO. (OLD)	DRAWN	DESIGNED	CHECKED	APPROVED	RELEASED
	<i>T. Noda</i>	<i>Y. Matsuo</i>	<i>P. Kano</i>	<i>[Signature]</i>	
	07.1.17	07.1.17	07.1.17	07.1.17	

TO
RFD

SCALE	DRAWING NO.	PART NO.
4 : 1	EDC4-180532	MS-147-HRMJ-3
UNITS	CODE NO.	
mm	CL358-0218-7	1/1



HIROSE ELECTRIC CO., LTD.

