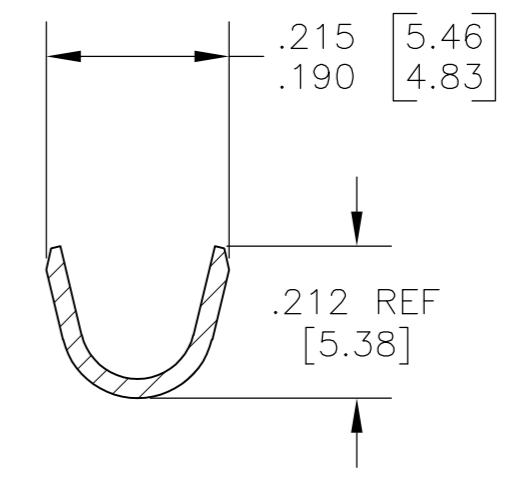
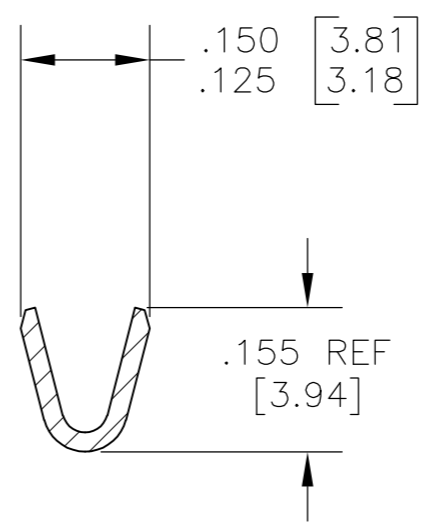
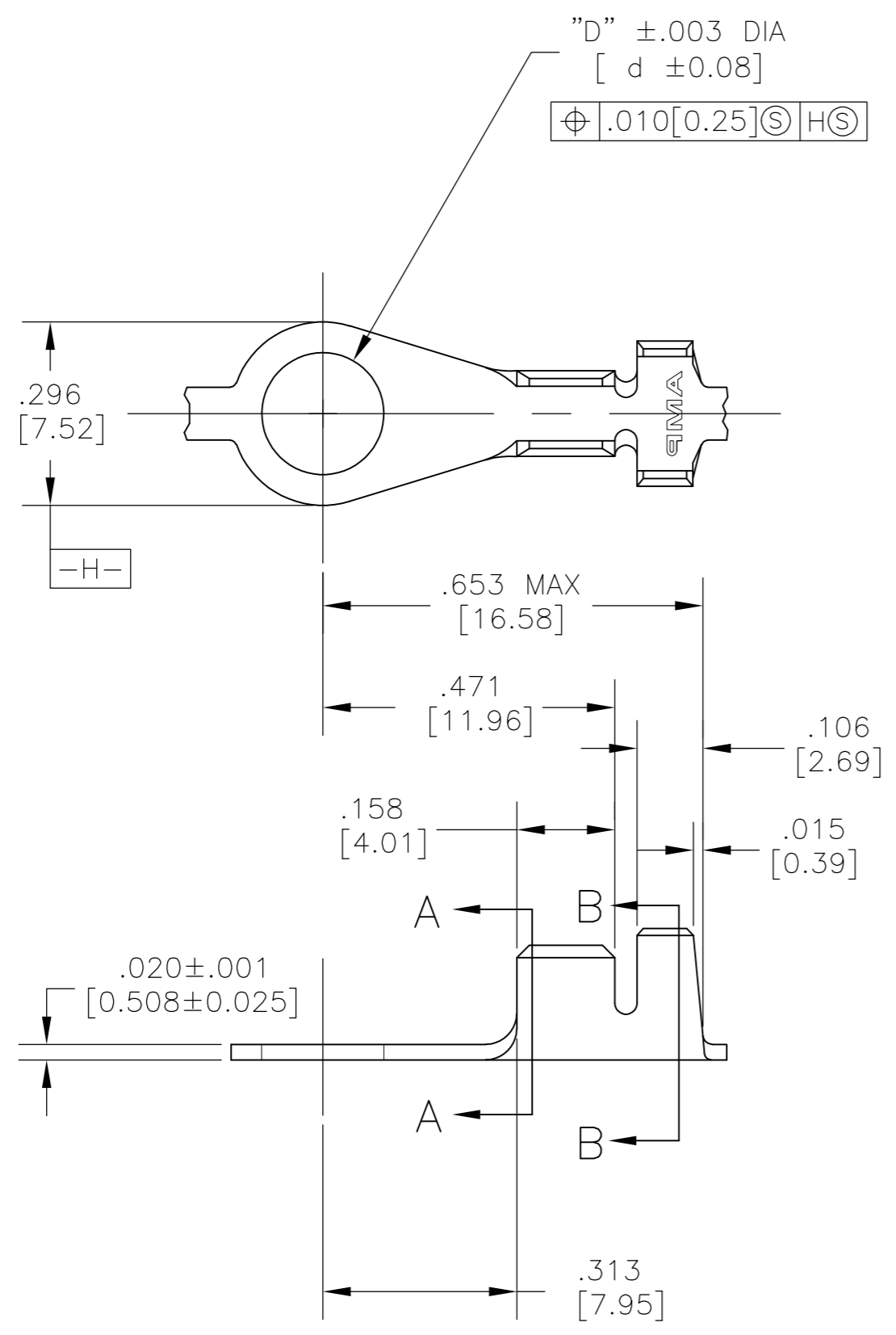


THIS DRAWING IS UNPUBLISHED. RELEASED FOR PUBLICATION
 © COPYRIGHT BY TYCO ELECTRONICS CORPORATION. ALL INTERNATIONAL RIGHTS RESERVED.

| LOC | DIST | REVISIONS | | | |
|-----|------|-------------|---------------------------|---------|--------|
| P | LTR | DESCRIPTION | DATE | DWN | APVD |
| AF | 50 | K1 | REVISED PER ECR-09-000368 | 20JAN09 | HMR DD |

- 1 CONTINUOUS STRIP ON REELS.
- 2 .000100 [0.00254] MIN TIN PLATE.
- 3 WIRE RANGE: 18-14 AWG.
- 4 INSULATION RANGE: .120-.170 [3.05-4.32] DIA.



| | | | | | |
|----------|-------------|----|---|------------|----------|
| | .197 [5.00] | 10 | 2 | - | 155406-6 |
| | .197 [5.00] | 10 | - | - | 155406-5 |
| OBSOLETE | .171 [4.34] | 8 | 2 | - | 155406-4 |
| | .171 [4.34] | 8 | - | - | 155406-3 |
| | .145 [3.68] | 6 | 2 | 1-155406-2 | 155406-2 |
| OBSOLETE | .145 [3.68] | 6 | - | 1-155406-1 | 155406-1 |

| "D" DIA | STUD SIZE | FINISH | LOOSE PIECE PART NUMBER | STRIP PART NUMBER |
|--|-----------|--|---|-------------------|
| THIS DRAWING IS A CONTROLLED DOCUMENT. | | | | |
| DIMENSIONS: INCHES [mm] | | TOLERANCES UNLESS OTHERWISE SPECIFIED: | DWN 07JAN2003 MICHAEL S. FEHER CHK 07JAN2003 DONALD F. DECKER APVD 07JAN2003 DONALD F. DECKER PRODUCT SPEC APPLICATION SPEC | |
| 0 PLC ± - 1 PLC ± - 2 PLC ± .020 [0.51] 3 PLC ± .010 [0.25] 4 PLC ± - ANGLES ± 1° | | FINISH | NAME TONGUE, RING OPEN BARREL SIZE A2 CAGE CODE 00779 DRAWING NO. C=155406 RESTRICTED TO - WEIGHT - SCALE 4:1 SHEET 1 OF 1 REV K1 | |
| MATERIAL #2 HARD BRASS | | SEE TABLE | CUSTOMER DRAWING | |

155406