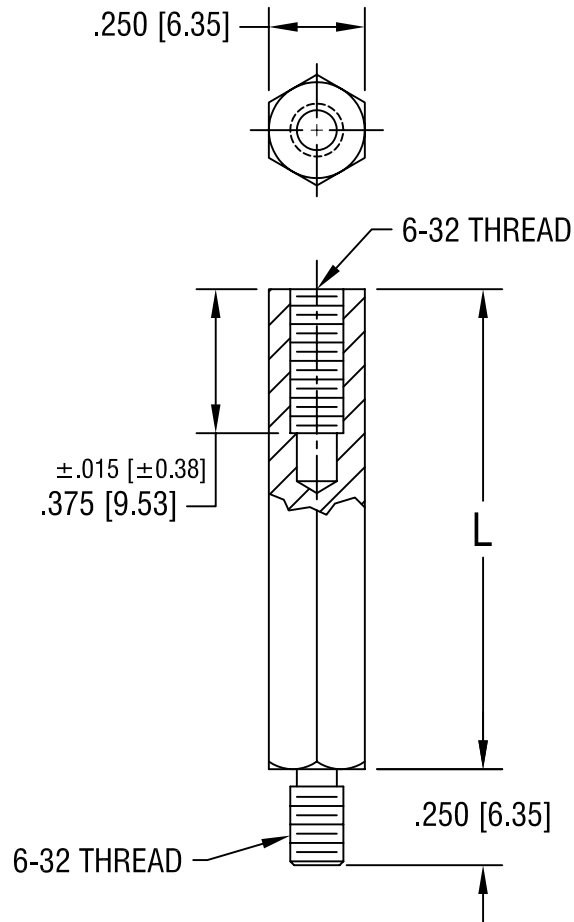


THIS DOCUMENT IS THE PROPERTY OF  
KEYSTONE ELECTRONICS CORP. AND  
SHALL NOT BE REPRODUCED, DISTRIBUTED  
OR USED AS A BASIS FOR MANUFACTURE  
WITHOUT PRIOR WRITTEN PERMISSION  
FROM KEYSTONE ELECTRONICS CORP.



PART NO.	'L' DIM.
1955	1.250 [31.75]
1956	1.375 [34.93]

**KEYSTONE ELECTRONICS CORP.**

ASTORIA, N.Y. 11105-2017

PART NAME

HEX M/F STANDOFF

MATERIAL

BRASS

FINISH

NICKEL PLATE

DRN BY

BOONE

DATE

7.30.82

APP'D

LN

SCALE

2X

4.3.96

CHANGE PER AS ECR 96-015

A

TOLERANCES

INCH [MM]

DECIMAL ±.005 [±0.15]

CODE

ANGULAR ± 1°  
UNLESS OTHERWISE SPECIFIED

DWG NO.

C/M

1955-1956

DATE

DESCRIPTION

REV.