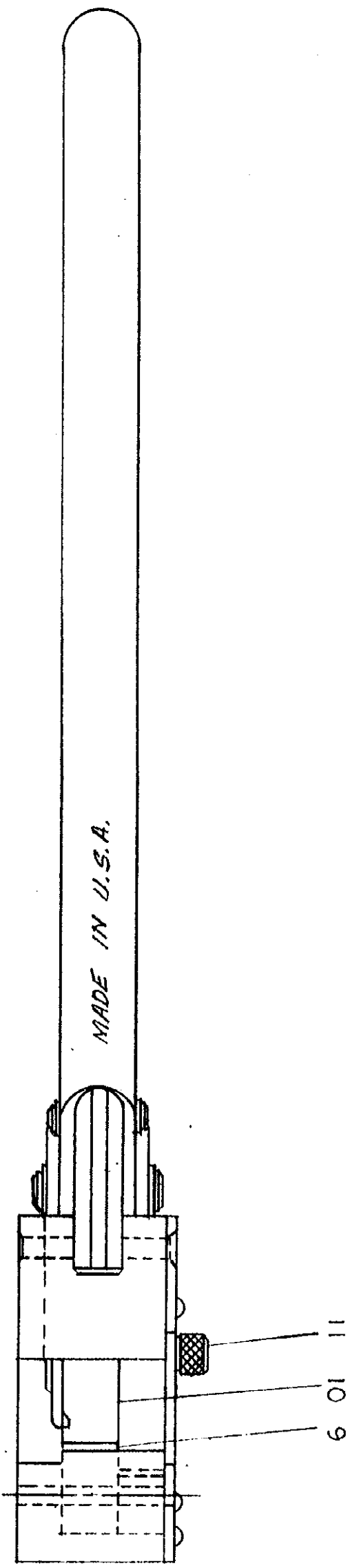
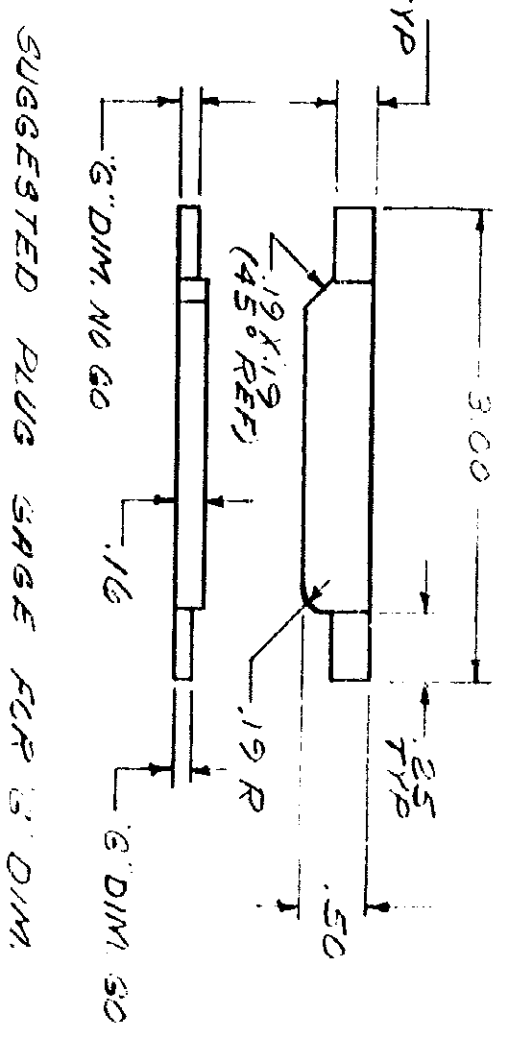
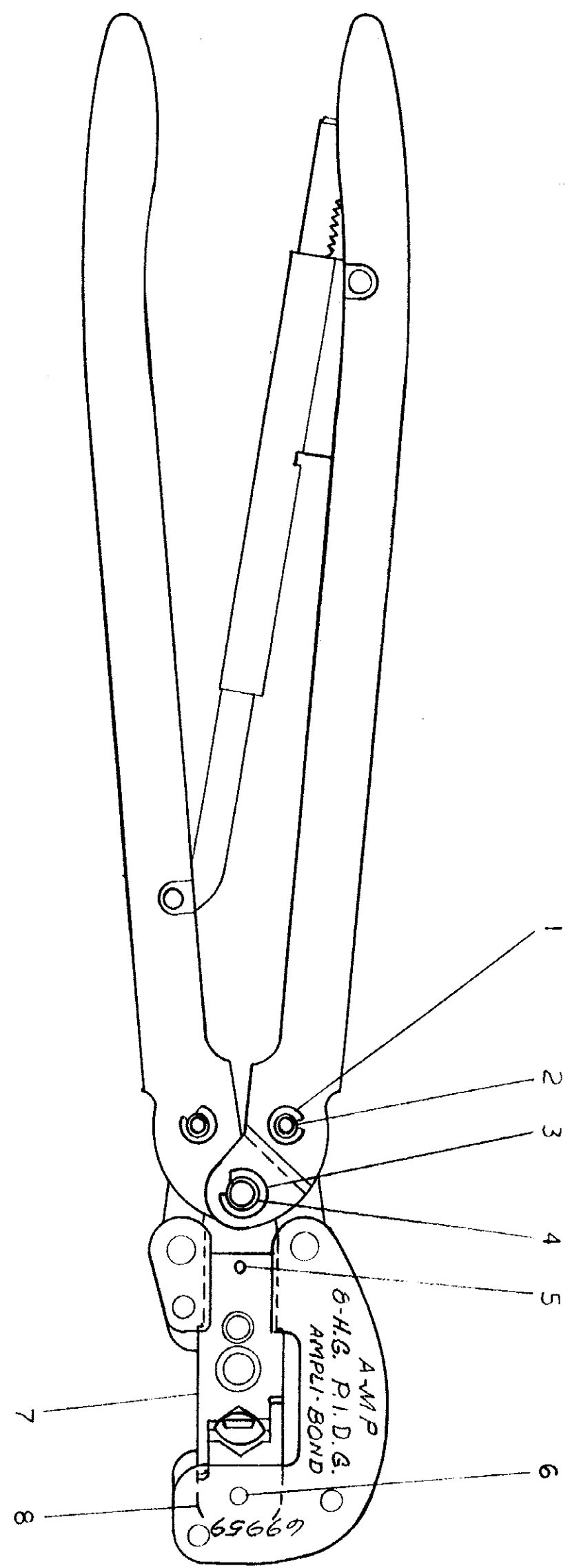
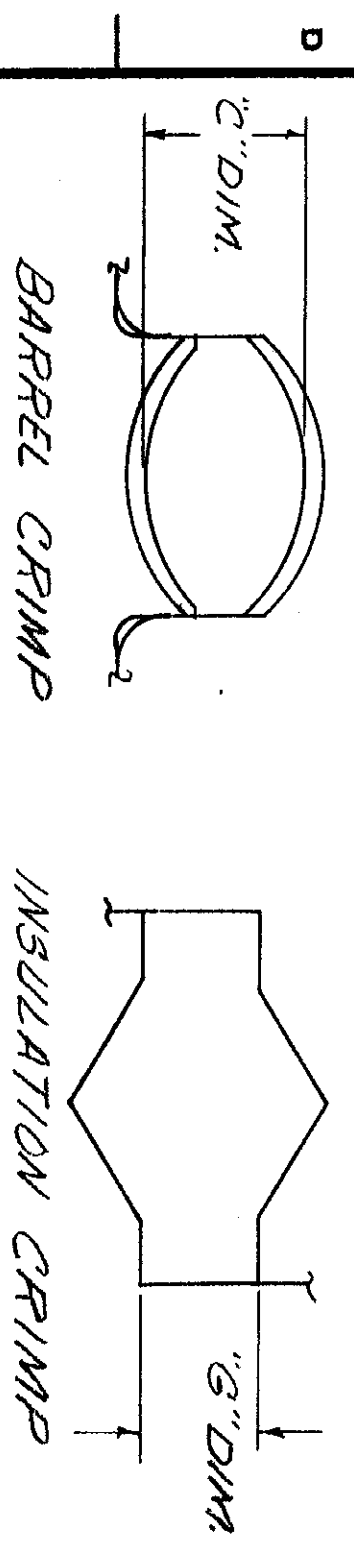


NUMBER 69959

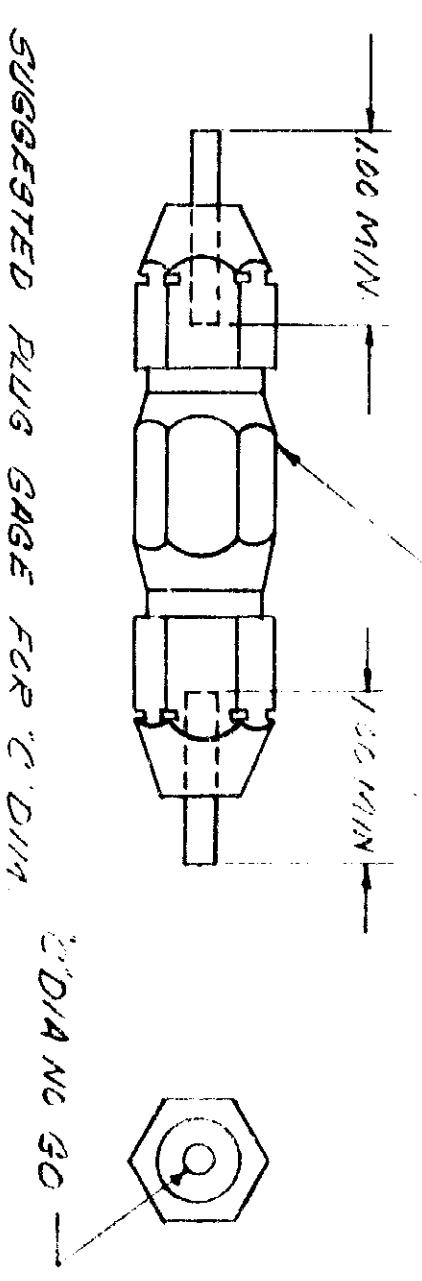


SUPERSEDED BY L.S. 2434
 DOUBLE END HANDLE
 A.G.D. STANDARD



'C' DIM.	GO	NO GO
	.201	.207

'G' AT PAS. #1	GO	NO GO
	.152	.152



PLUG GAGE DIMENSIONS APPLY WHEN TOOL IS
 BOTTOMED BUT NOT UNDER PRESSURE.

For replacement of parts other than listed, tool should be returned to our factory to insure proper Certi-Crimp adjustment.

REVISION RECORD

REV	DATE	BY	DESCRIPTION
1	8/11/54	LS	REVISED

REQUIRED PER ASSEMBLY

DESCRIPTION	QUANTITY

NAME: HAND TOOL ASSEMBLY

CLASS: AMPLI-BOND

SCALE: M C

NUMBER: 69959

DATE: 8/11/54

BY: LS

REVISION RECORD

REV	DATE	BY	DESCRIPTION
1	8/11/54	LS	REVISED