

PRODUCT DATASHEET

Strada series

last update 6/9/2013

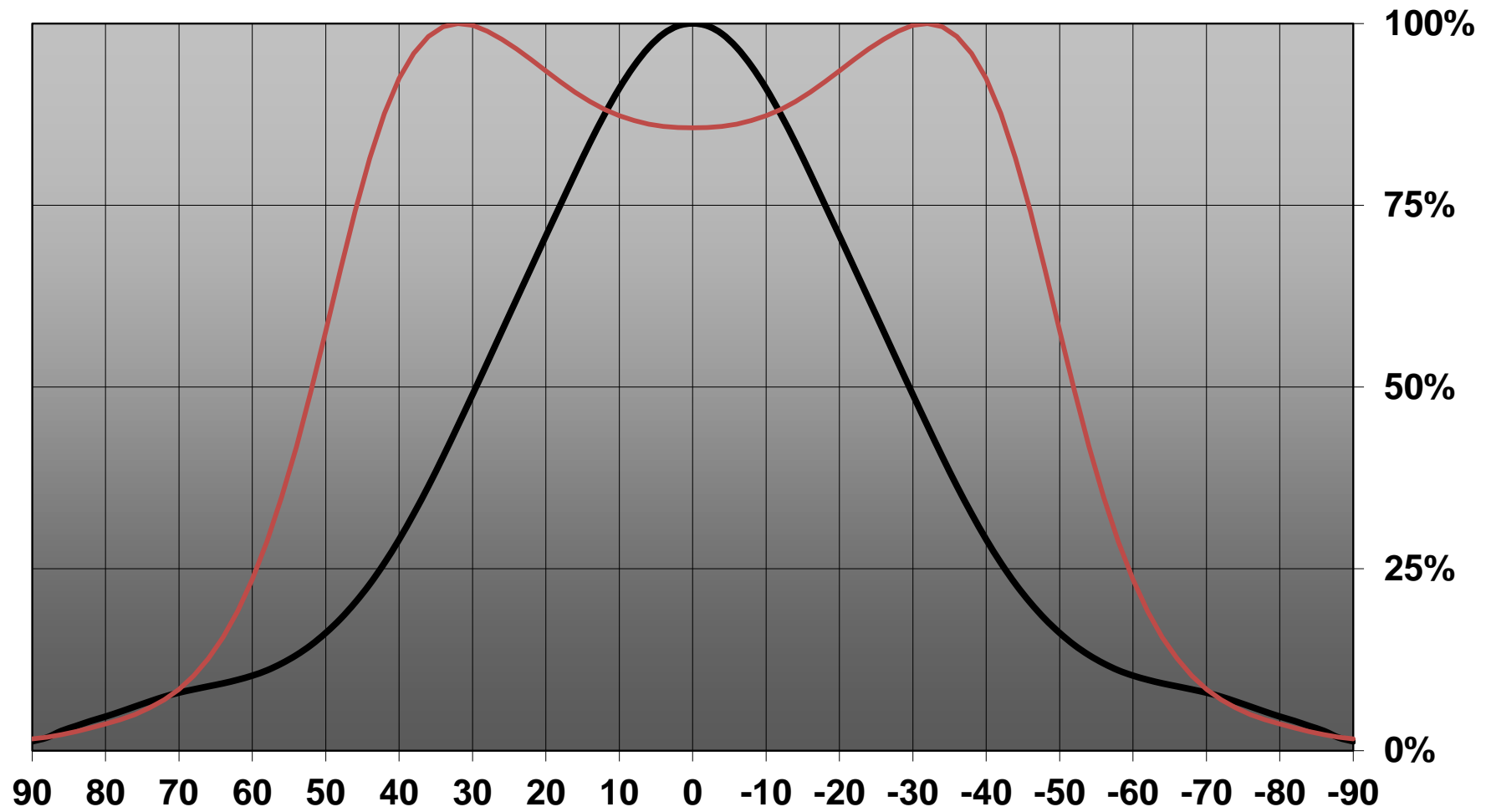
DETAILS

Product Number	C11244_STRADA-DN
Family	Strada
Type	Lens
Color	clear
Diameter	19,6 x 15,5 mm
Height	5,6 mm
Style	rectang
Optic Material	PMMA
Holder Material	
Fastening	pin, glue, screw
Status	production ready
ROHS Comliant	Yes
Date Updated	6/09/2013

OPTICAL PROPERTIES

LED	Viewing Angle	Light Beam	Efficiency	cd/lm	Connector
CL-L400	104+60 deg	Streetligh...	92 %	-	-
MX-6	108+56 deg	Streetligh...	92 %	0.450	-
MX-3	108+56 deg	Streetligh...	92 %	-	-
NS6x83	110+56 deg	Streetligh...	92 %	0.510	-
NS3x83	110+56 deg	Streetligh...	92 %	0.510	-

Relative intensity of C11244-Strada-DN-6N83-CL-L400



H G F E D C B A

4

3

2

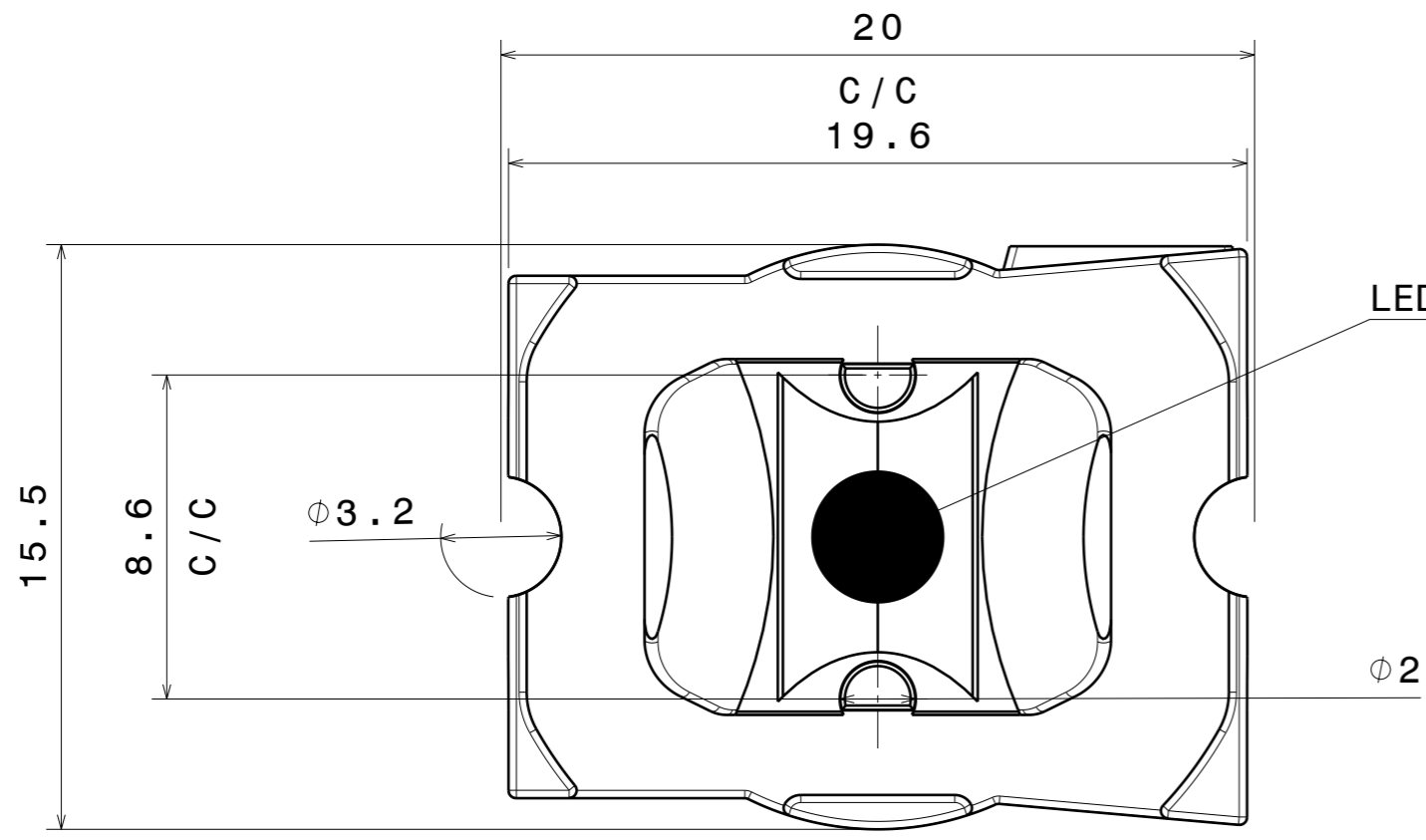
1

4

3

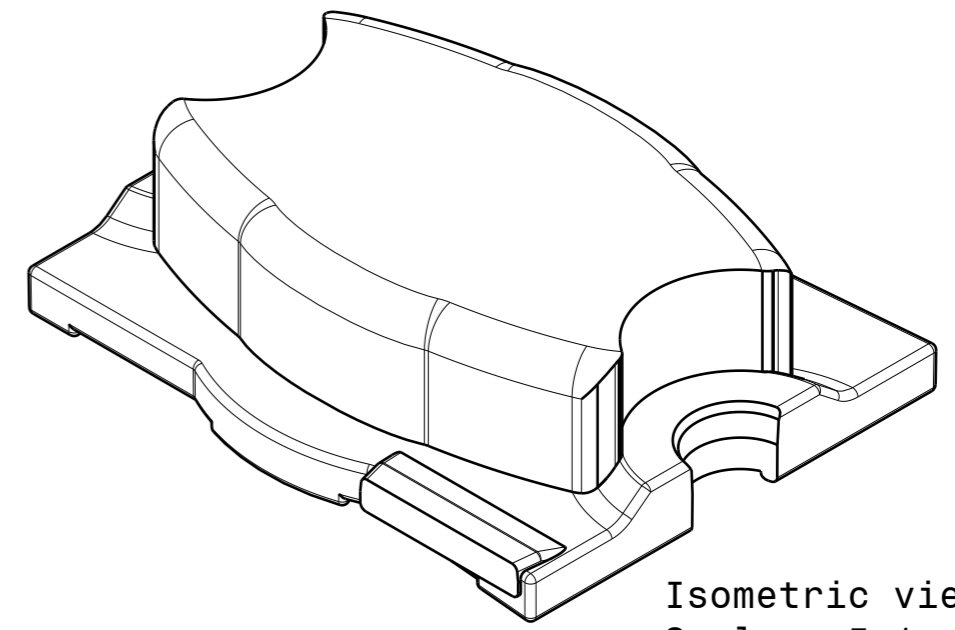
2

1

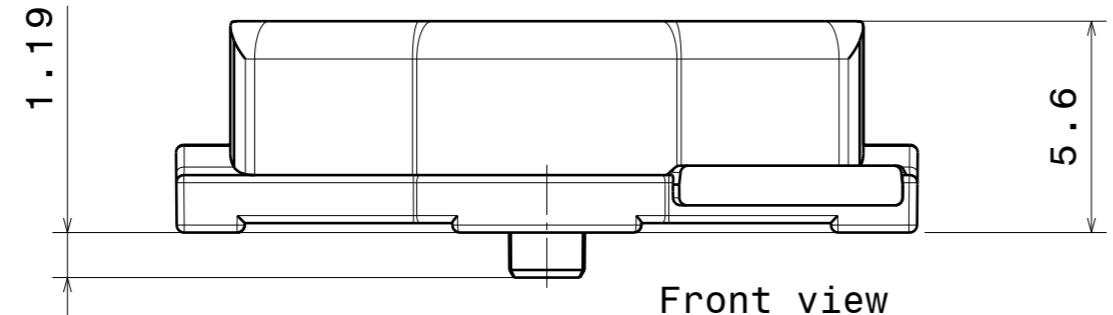


LED position

Bottom view
Scale: 5:1



Isometric view
Scale: 5:1



Front view
Scale: 5:1

Tolerances if not otherwise shown
According to DIN ISO 2768-1
Linear measures:
Up to 30mm class M, otherwise class C.
According to DIN ISO 2768-2
Form and position: class L

LEDiL LediL Oy
Salorankatu 10
FIN 24240 SALO
Finland

THIRD ANGLE PROJECTION:

DRAWING TITLE
C11244_STRADA-DN

This drawing is the property of LEDiL Oy. It may not be reproduced, copied or communicated without a written agreement with LEDiL Oy."

SIZE	PART NUMBER		
A3	C11244		

SCALE	5:1	WEIGHT	-	SHEET	1/1
-------	-----	--------	---	-------	-----

H G F E D C B A

NOTE: The typical divergence will be changed by different color, chip size and chip position tolerance. The typical total divergence is the full angle measured where the luminous intensity is half of the peak value.