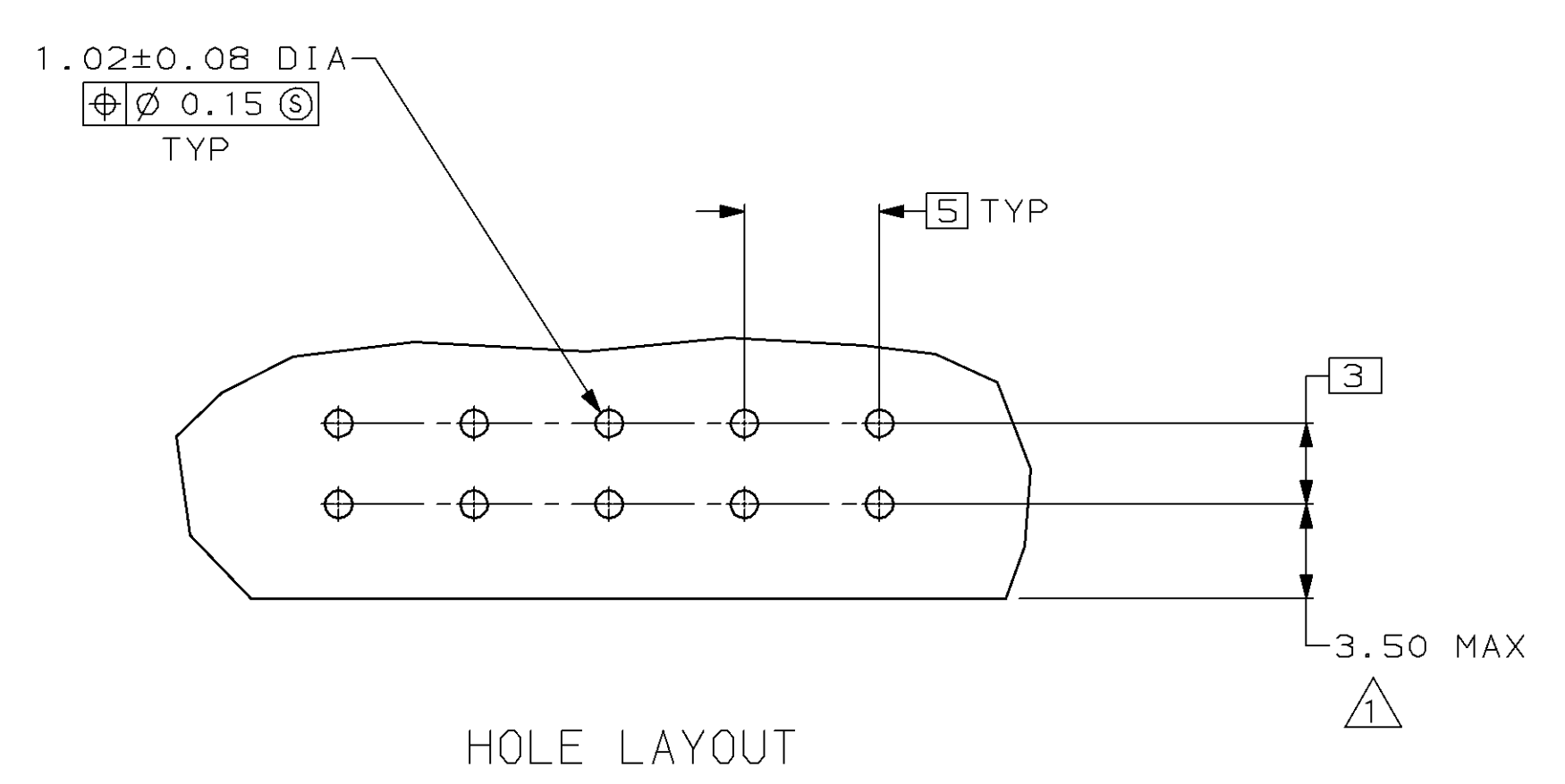
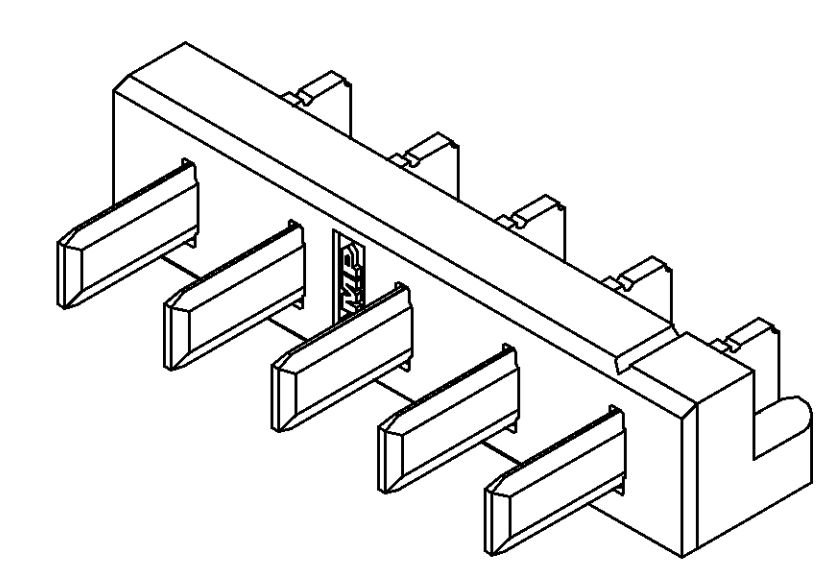
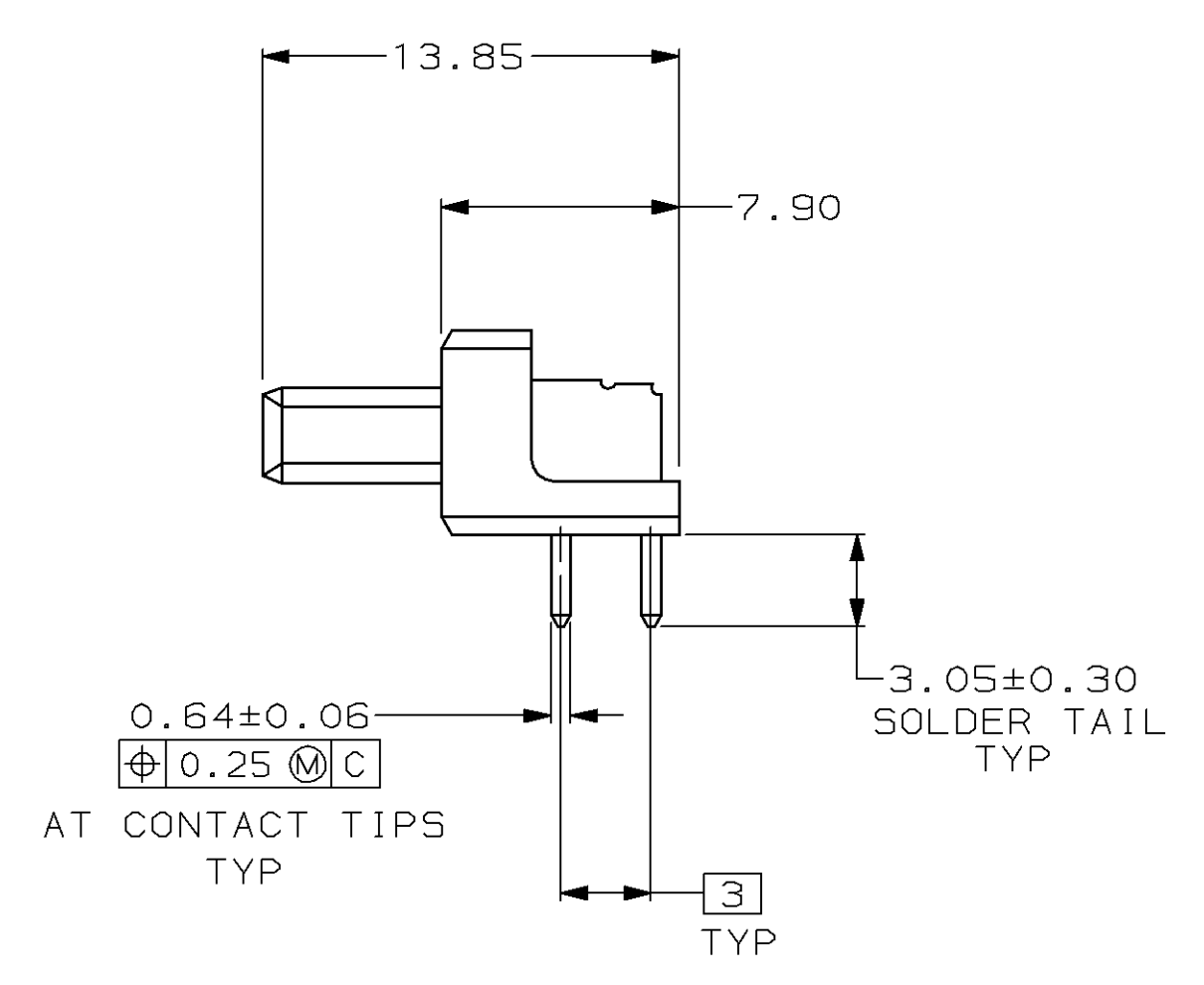
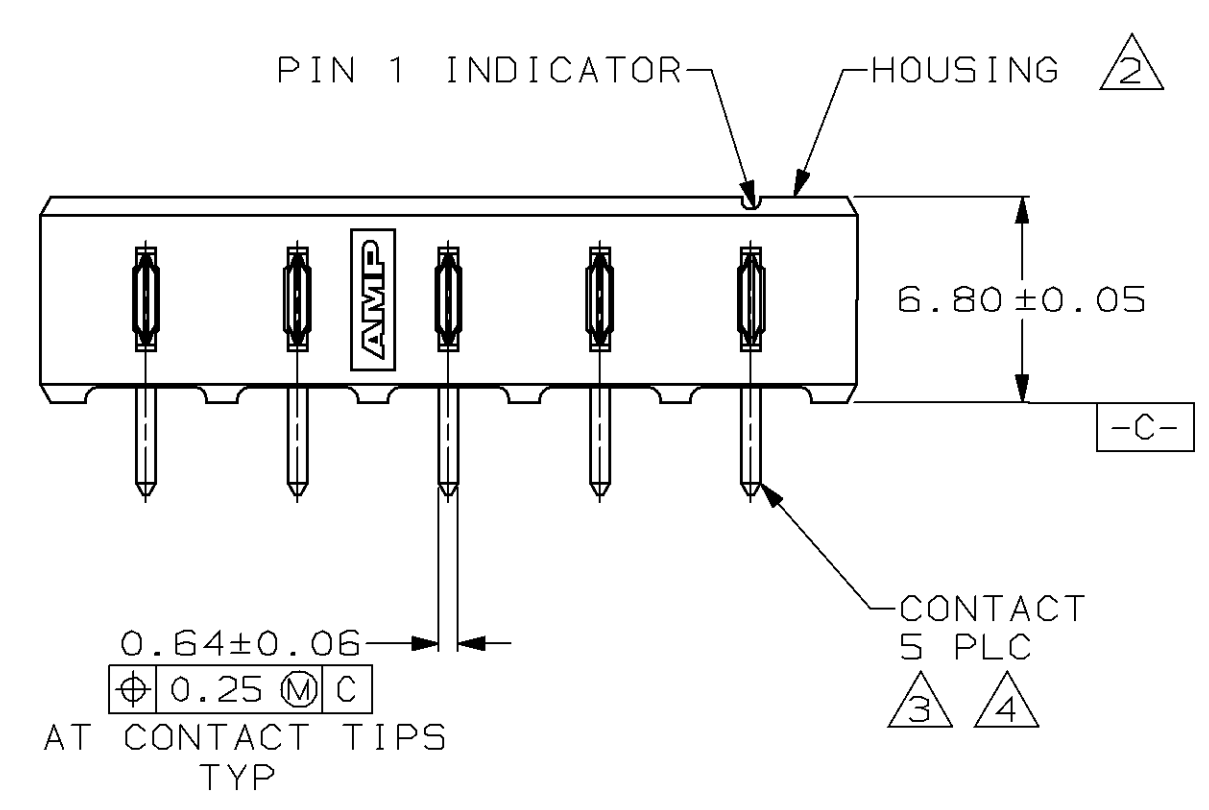
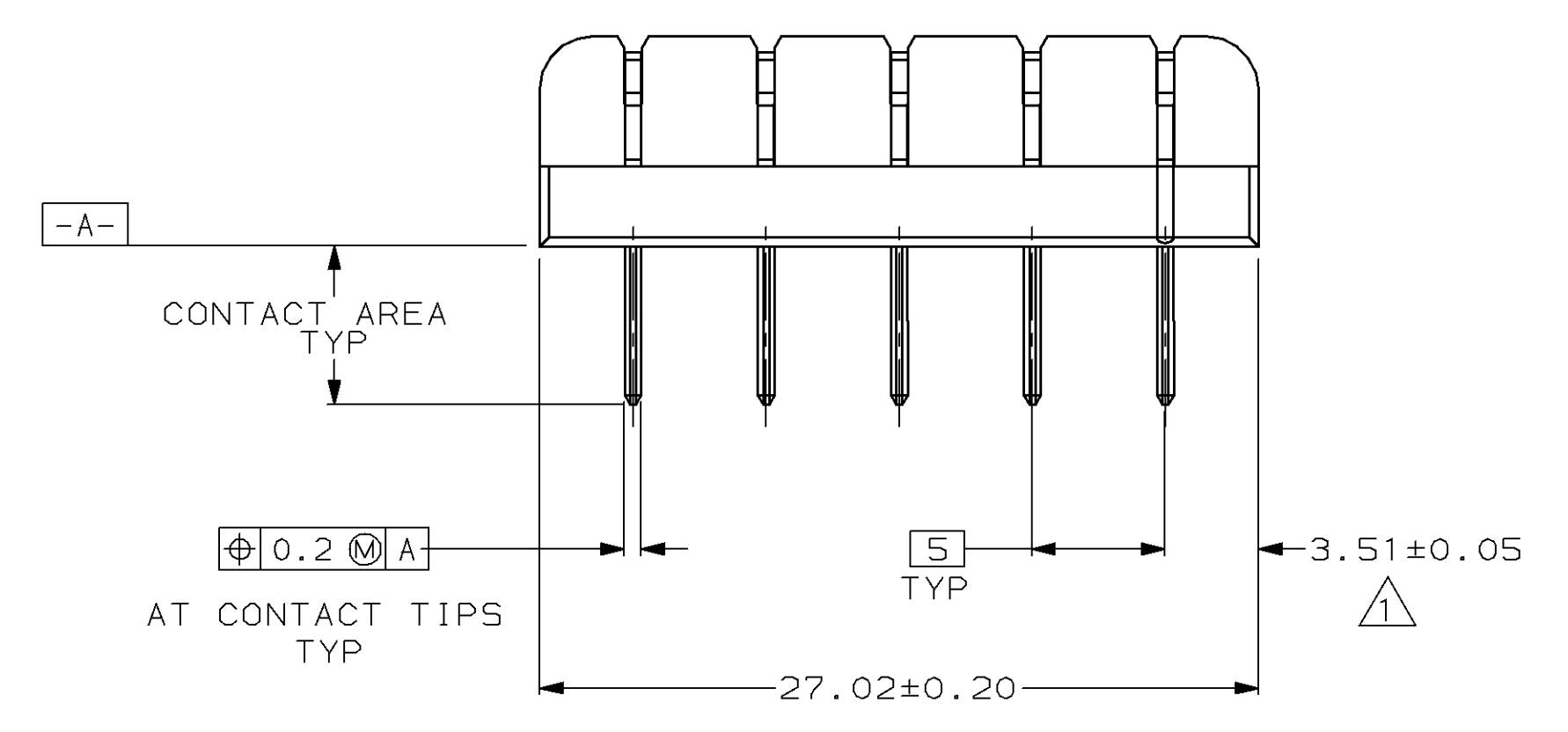


LOC		DIST		REVISIONS			
AD	39	P	LTR	DESCRIPTION	DATE	OWN	APVD
		0		RLSE -1 PER NPR 5307 WAS 95-2197-14-1	03-27-95	SK	SK
		A		REV PER EC 0020-0657-96	12/06/96	JR	RS

- ⚠ COORDINATE DIMENSION APPLIES FROM CENTER OF ACTUAL FEATURE.
- ⚠ LCP, BLACK
- ⚠ 2.54μm MIN TIN-LEAD ON SOLDER TAIL OVER 1.90μm MIN NICKEL ALL OVER.
- ⚠ CONTACTS: BRASS



787441-1
PART NO

<small>THIS DRAWING IS A CONTROLLED DOCUMENT FOR AMP INCORPORATED. IT IS SUBJECT TO CHANGE AND THE CONTROLLING ENGINEERING DEPARTMENT SHOULD BE CONTACTED FOR THE LATEST REVISION.</small>		DWN S. KLINE 03-27-95 CHK S. KLINE 03-30-95 APP'D S. KLINE 03-30-95	AMP Incorporated Harrisburg, PA 17105-3508
DIMENSIONS: mm	TOLERANCES UNLESS OTHERWISE SPECIFIED: 0 PLC ± 1 PLC ± 2 PLC ±0.13 3 PLC ± 4 PLC ± ANGLES ±	NAME HEADER ASSEMBLY, RIGHT ANGLE, KEYLESS, 5mm ϕ , 5 POSN, 108-1501 APPLICATION SPEC 114-24005	SIZE A1 CAGE CODE 00779 DRAWING NO 787441
MATERIAL SEE CALLOUTS	FINISH SEE CALLOUTS	WEIGHT - CUSTOMER DRAWING	SCALE 4:1 SHEET 1 OF 1 REV A