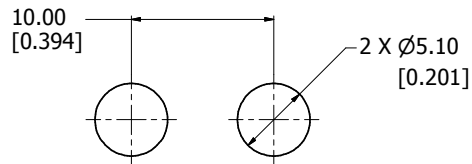
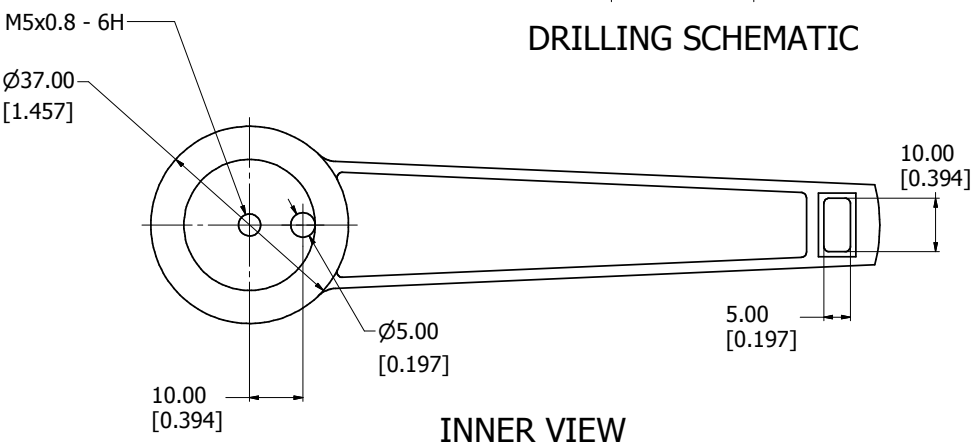


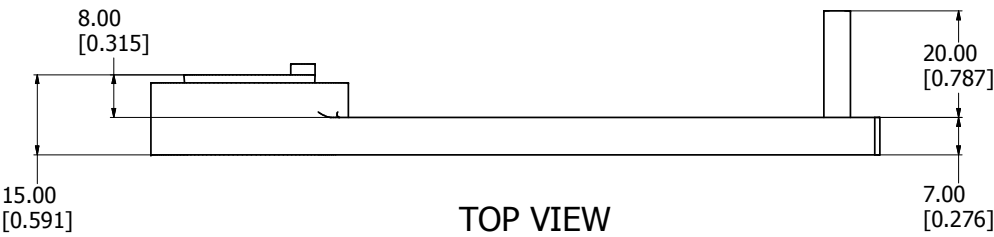
8 | 7 | 6 | 5 | 4 | 3 | 2 | 1



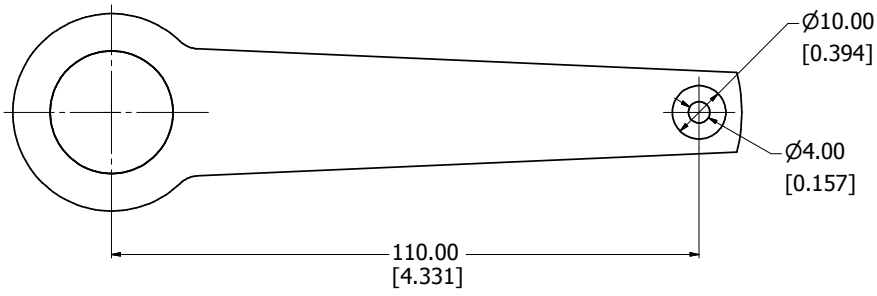
DRILLING SCHEMATIC



INNER VIEW

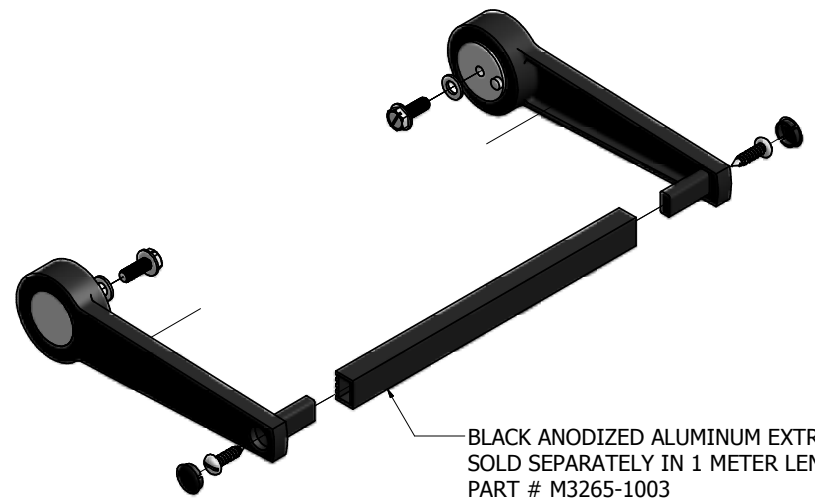


TOP VIEW



OUTER VIEW

8 | 7 | 6 | 5 | 4 | 3 | 2 | 1



BLACK ANODIZED ALUMINUM EXTRUSION
SOLD SEPARATELY IN 1 METER LENGTHS
PART # M3265-1003

EXPLODED BAIL ASSEMBLY

M3783-7001
Handle Arm - Reinforced Fibreglass Black / Cast Aluminum
Handle Profile - Black Anodized Aluminum Extrusion
Hardware
2 Screws - Hex Slotted M5 x 0.8
2 Screws - Panhead Self Tapping M4 x 0.8
2 Washers
2 Sealing Caps
**note bail sold in pairs



**HAMMOND
MANUFACTURING™**

M3783-7001

F
E
D
C
B
A