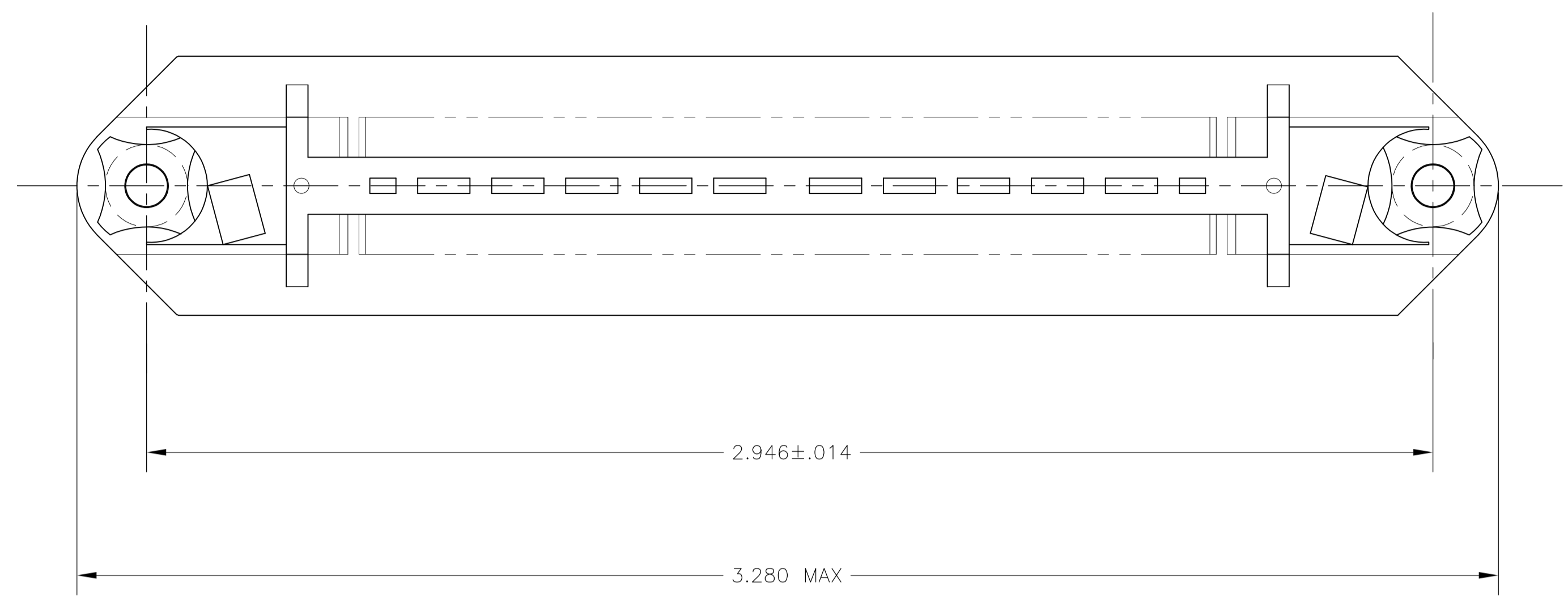
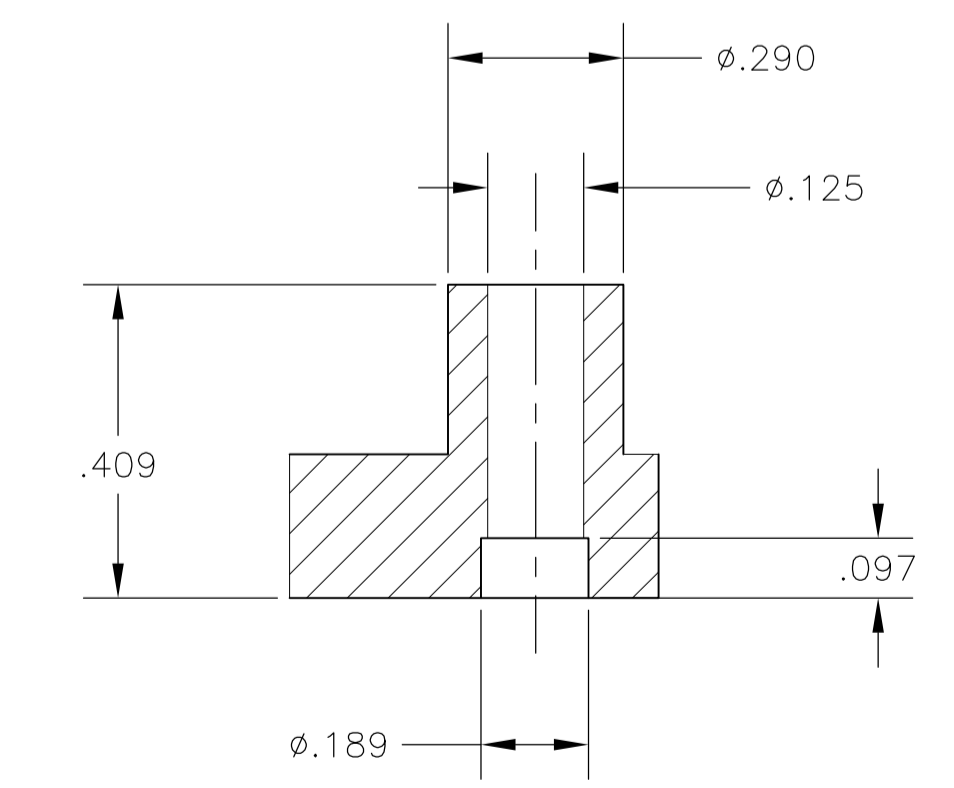
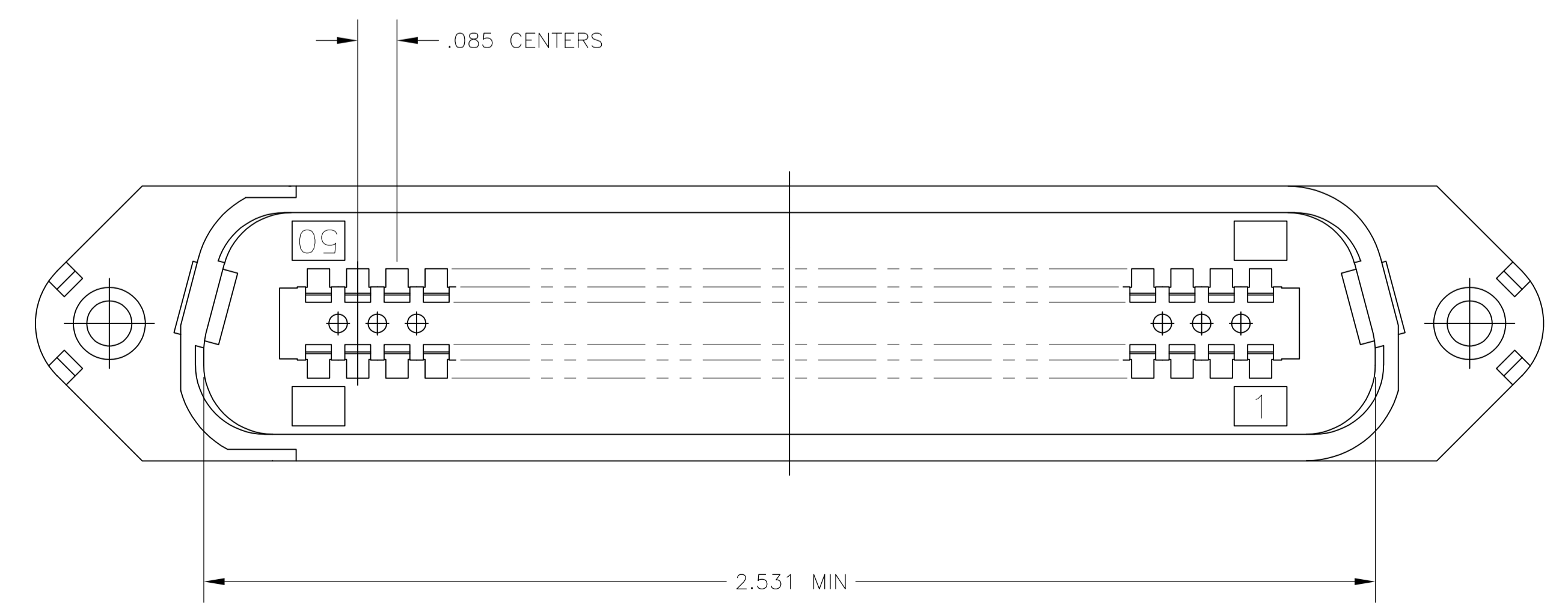
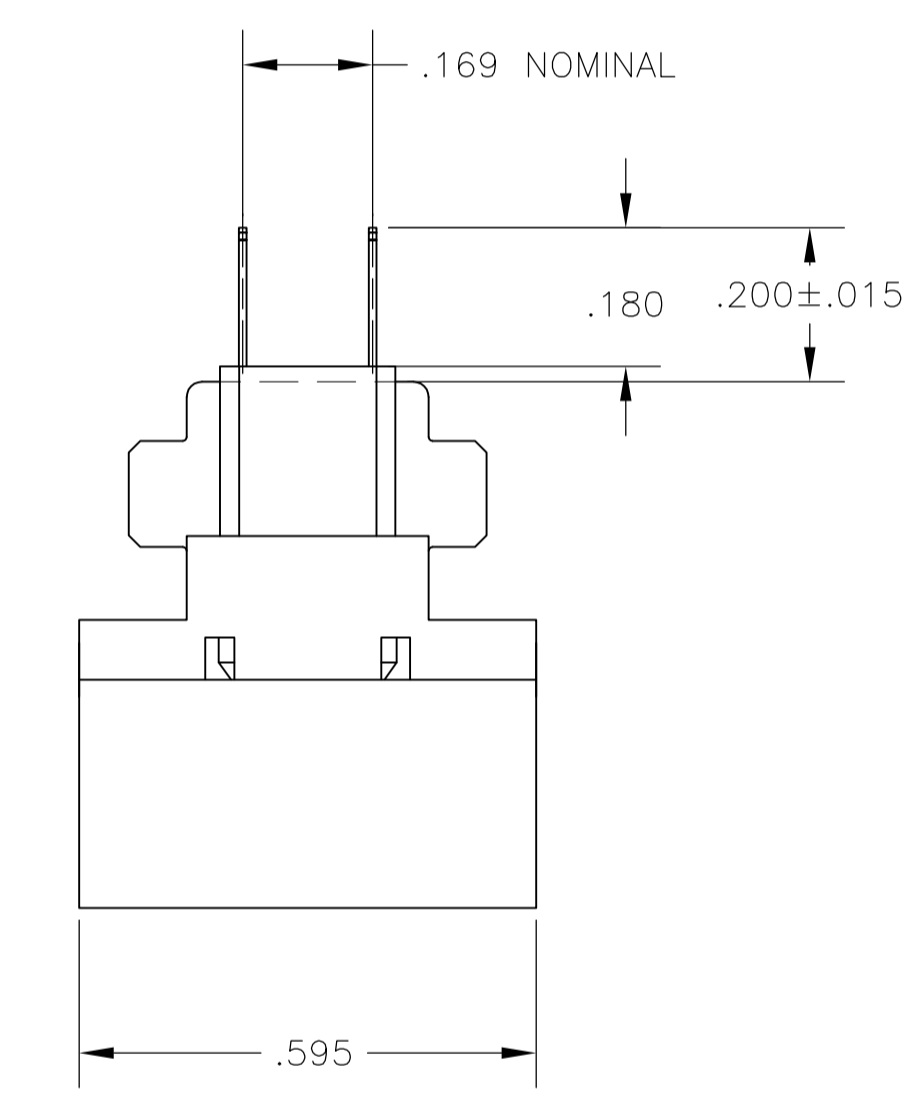
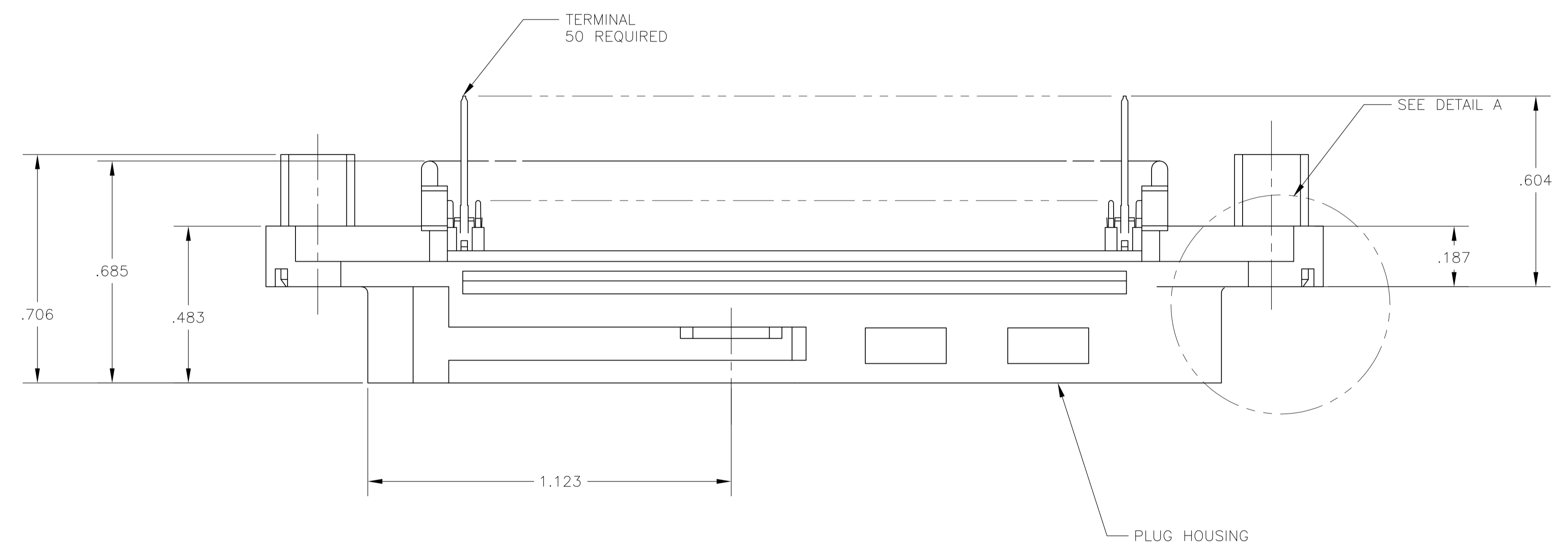


| LOC |     | DIST                      |         | REVISIONS |      |  |  |
|-----|-----|---------------------------|---------|-----------|------|--|--|
| P   | LTR | DESCRIPTION               | DATE    | DMN       | APVD |  |  |
| N   |     | REVISED PER ECO-08-007327 | 18APR08 | BM        | WM   |  |  |



1. THE CONTACT SURFACES OF THE TERMINALS ARE COATED WITH LUBRICANT.
2. MATERIAL: HOUSING - POLYESTER, BLACK.  
 TERMINAL - PHOS BRONZE PLATED WITH EITHER .000030 MINIMUM GOLD PLATE OR GOLD FLASH OVER PALLADIUM NICKEL PLATE, .000030 MIN TOTAL ON MATING SURFACE.  
 .000120 MINIMUM TIN-LEAD PLATE ON TAILS OVER .000050 MINIMUM NICKEL UNDERPLATE OVER ENTIRE TERMINAL.
3. ALL DIMENSIONS SHOWN ARE FOR REFERENCE ONLY, UNLESS OTHERWISE SPECIFIED.



DETAIL A

552116-1  
PART NUMBER

|  |            |                            |   |
|--|------------|----------------------------|---|
| THIS DRAWING IS A CONTROLLED DOCUMENT. |            | DIN ZACH REAM 9/MAR/07     | Tyco Electronics Corporation<br>Harrisburg, PA 17105-3608 |
| DIMENSIONS: INCHES                     |            | CHK W. MILLHIMES 9/MAR/07  |   |
| TOLERANCES UNLESS OTHERWISE SPECIFIED: |            | APVD W. MILLHIMES 9/MAR/07 | NAME: PLUG ASSY, 50 POSN, VERT MTG, CHAMP-LOK             |
| 0. PLC ± -                             | 1. PLC ± - | 2. PLC ± -                 | 3. PLC ± -  |
| 4. PLC ± -                             | ANGLES ± - | APPLICATION SPEC           |   |
| MATERIAL                               |            | FINISH                     |   |
| WEIGHT                                 |            | SIZE: A1                   | CAGE CODE: 00779  |
| CUSTOMER DRAWING                       |            | DRAWING NO: 552116         |   |
| SCALE: 4:1                             |            | SHEET 1 OF 1               |   |