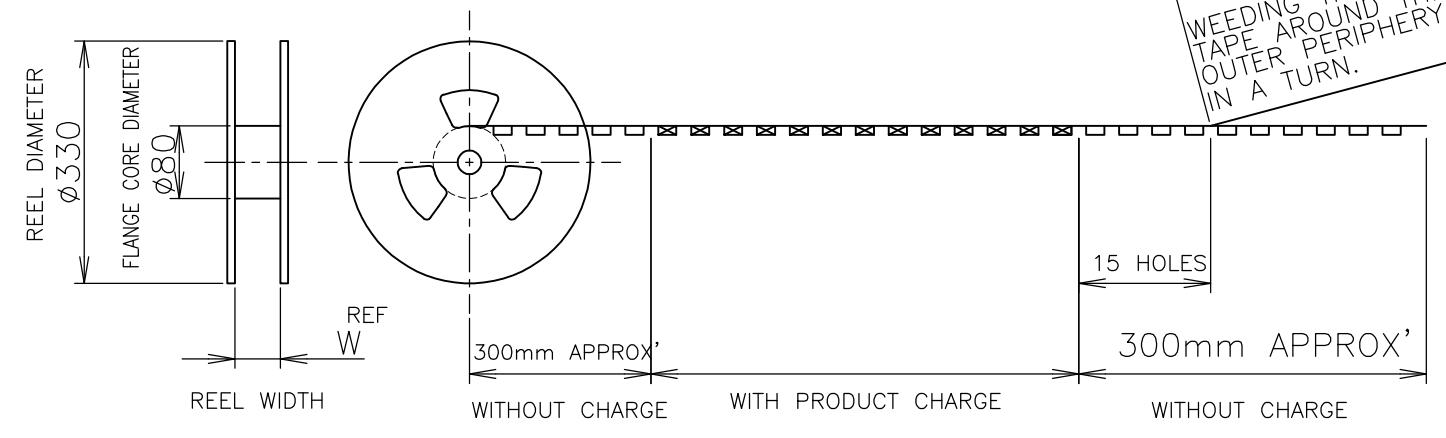
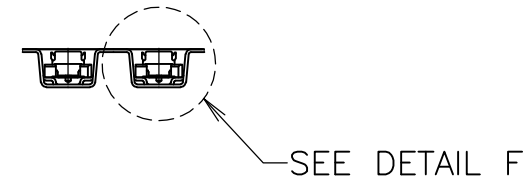
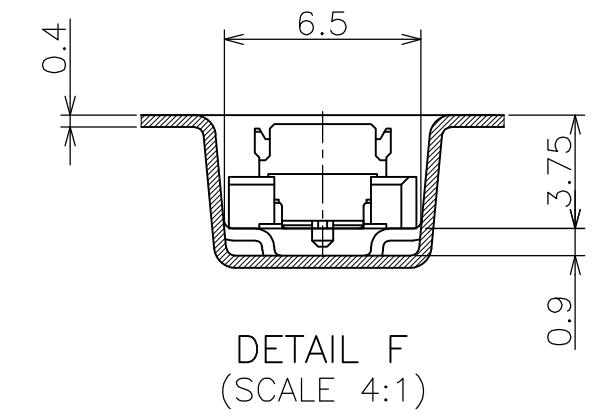
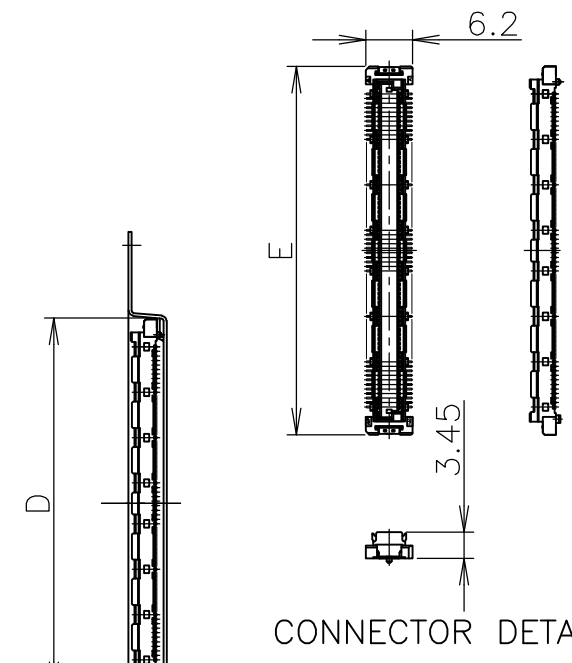
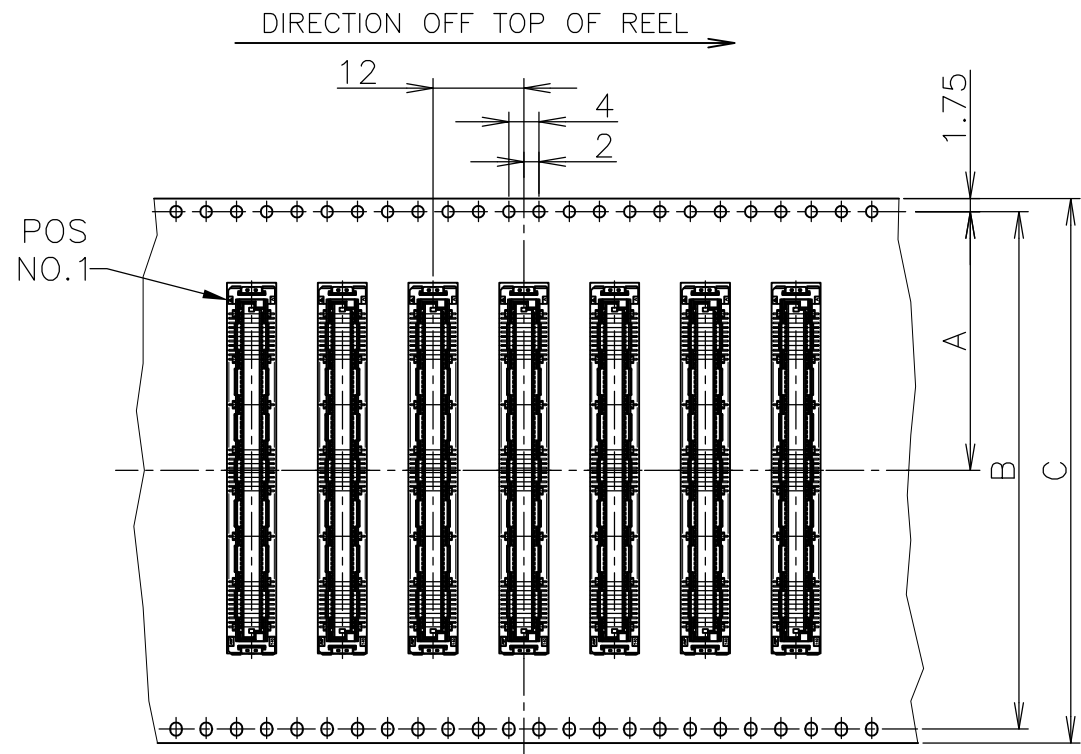


THIS DRAWING IS UNPUBLISHED. RELEASED FOR PUBLICATION JUN , 1996.  
 © COPYRIGHT 1996 By - ALL RIGHTS RESERVED.

LOC	DIST	REVISIONS					
J		P	LTR	DESCRIPTION	DATE	DWN	APVD
		B1	REVISED	ECR-15-012060	14SEP2015	I.T	W.H



WEEDING THE COVER TAPE AROUND THE OUTER PERIPHERY IN A TURN.

HOUSING COLOR	SEALANT	TOOLING STATUS	QTY.	W	E	D	C	B	A	POS.	PART NO.
BLACK	SEALANT	AVAILABLE	1000	77.5	48.7	49	72	68.4	34.2	140	8-5353183-0
		NOT AVAILABLE		77.5	54.7	55	72	68.4	34.2	160	6-5353183-1
		AVAILABLE		77.5	48.7	49	72	68.4	34.2	140	6-
		NOT AVAILABLE		61.5	42.7	43	56	52.4	26.2	120	5-
		AVAILABLE		61.5	36.7	37	56	52.4	26.2	100	5-
		NOT AVAILABLE		61.5	33.7	34	56	52.4	26.2	90	5-
				49.5	30.7	31	44	40.4	20.2	80	5-
				49.5	27.7	28	44	40.4	20.2	70	5-
				49.5	24.7	25	44	40.4	20.2	60	5-
				37.5	21.7	22	32	28.4	14.2	50	5-
				37.5	18.7	19	32	28.4	14.2	40	5-
		NATURAL	NON SEALANT	NOT AVAILABLE	1000	29.5	15.7	16	24	11.5	30
NOT AVAILABLE	1000			77.5	54.7	55	72	68.4	34.2	160	
AVAILABLE				77.5	48.7	49	72	68.4	34.2	140	1-
NOT AVAILABLE				61.5	42.7	43	56	52.4	26.2	120	
AVAILABLE				61.5	36.7	37	56	52.4	26.2	100	
NOT AVAILABLE				61.5	33.7	34	56	52.4	26.2	90	
				49.5	30.7	31	44	40.4	20.2	80	
				49.5	27.7	28	44	40.4	20.2	70	
				49.5	24.7	25	44	40.4	20.2	60	
				37.5	21.7	22	32	28.4	14.2	50	
				37.5	18.7	19	32	28.4	14.2	40	
				NOT AVAILABLE	1000	29.5	15.7	16	24	11.5	30

3 THIS PRODUCT WAS COATED BY FLUX-PENETRATION -INHIDITING AGENT.

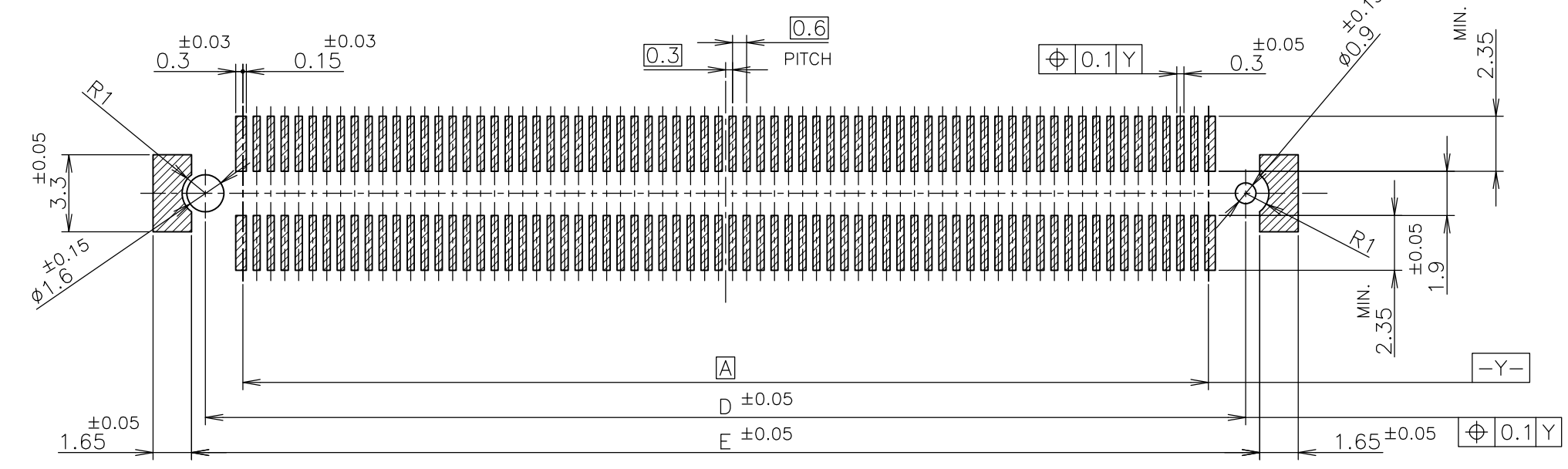
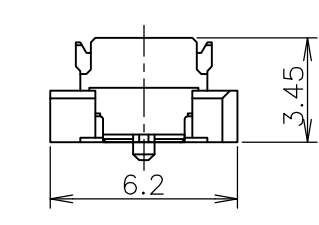
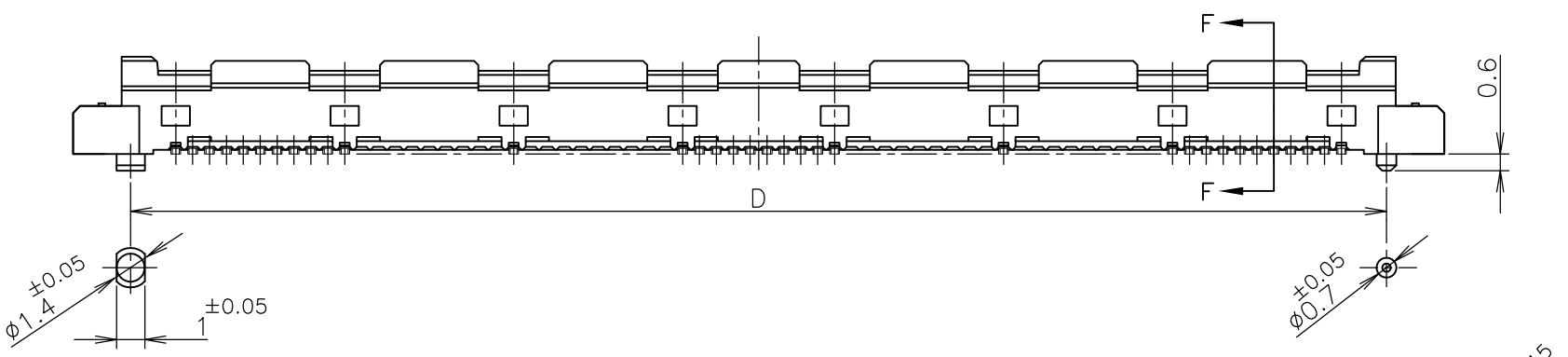
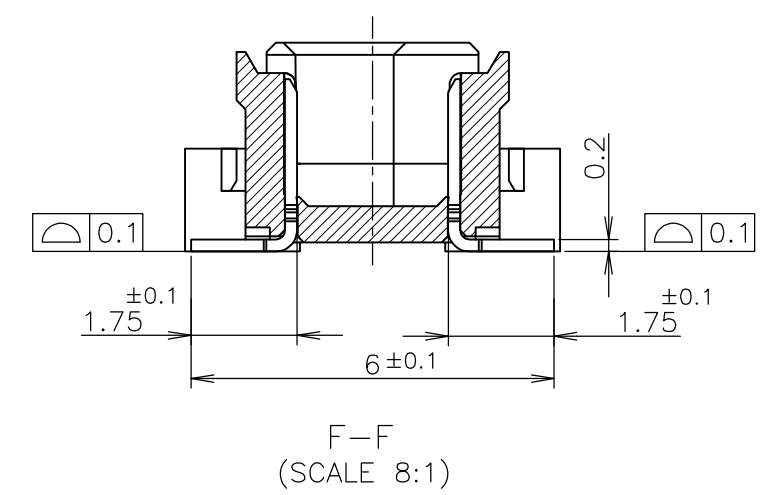
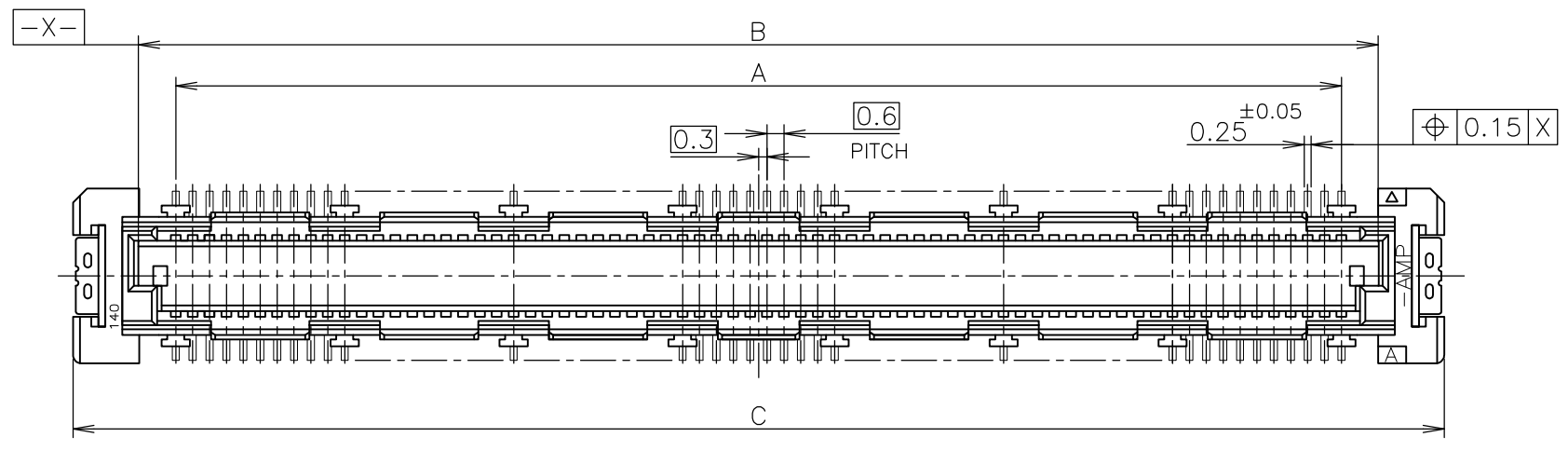
THIS DRAWING IS A CONTROLLED DOCUMENT.

DIMENSIONS: 单位: 耗 mm	TOLERANCES UNLESS OTHERWISE SPECIFIED: 一般公差	DWN HAWKING HE 20DEC04	 TE Connectivity
	0 PLC ± 0.2 1 PLC ± 0.2 2 PLC ± 0.2 3 PLC ± 0.2 4 PLC ± 0.2 ANGLES ± 5°	CHK STEVEN YAO 20DEC04	
		APVD I.ENOMOTO 20DEC04	
		NAME 名称	
MATERIAL 材料	FINISH 仕上	PRODUCT SPEC 製品規格 108-60047	EMBOSS ASSY
		APPLICATION SPEC 取付適用規格 114-5255	FH 0.6BTB CONNECTOR
		WEIGHT	PLUG 4H STD TYPE
			SIZE A3
			CAGE CODE 00779
			DRAWING NO G-5353183
			RESTRICTED TO
			SCALE 尺度 1:1
			SHEET 1 OF 2
			REV B1

CUSTOMER DRAWING

THIS DRAWING IS UNPUBLISHED. RELEASED FOR PUBLICATION JUN , 1996.  
 © COPYRIGHT 1996 By - ALL RIGHTS RESERVED.

LOC	DIST	REVISIONS					
J		P	LTR	DESCRIPTION	DATE	DWN	APVD
		-		SEE SHEET 1	-	-	-



△ MATERIAL ; HOUSING : HIGH TEMP THERMO PLASTIC UL94V-0  
 CONTACT : COPPER ALLOY  
 △ FINISH ; UNDER PL Ni 0.0013mm MIN ALL OVER.  
 CONTACT AREA 0.0002 MIN Au PL.  
 SOLDERING AREA 0.001 MIN TIN PL.

REFERENCE P.C.BOARD LAYOUT

ACTIVE	AVAILABLE	51.8	50.6	54.7	50	47.4	160
ACTIVE	AVAILABLE	45.8	44.6	48.7	44	41.4	140
OBSOLETE	NOT AVAILABLE	39.8	38.6	42.7	38	35.4	120
ACTIVE	AVAILABLE	33.8	32.6	36.7	32	29.4	100
OBSOLETE	NOT AVAILABLE	30.8	29.6	33.7	29	26.4	90
OBSOLETE	NOT AVAILABLE	27.8	26.6	30.7	26	23.4	80
ACTIVE	AVAILABLE	24.8	23.6	27.7	23	20.4	70
ACTIVE	AVAILABLE	21.8	20.6	24.7	20	17.4	60
ACTIVE	AVAILABLE	18.8	17.6	21.7	17	14.4	50
OBSOLETE	NOT AVAILABLE	15.8	14.6	18.7	14	11.4	40
OBSOLETE	NOT AVAILABLE	12.8	11.6	15.7	11	8.4	30
STATUS	TOOLING STATUS	E	D	C	B	A	POS

THIS DRAWING IS A CONTROLLED DOCUMENT.		DWN		TE Connectivity	
DIMENSIONS: 單位: 耗 mm		CHK			
TOLERANCES UNLESS OTHERWISE SPECIFIED: 一般公差		APVD		NAME 名称	
0 PLC ± 0.3 1 PLC ± 0.3 2 PLC ± 0.3 3 PLC ± 0.3 4 PLC ± 0.3 ANGLES ± 3°		PRODUCT SPEC 製品規格		EMBOSS ASSY	
MATERIAL 材料		APPLICATION SPEC 取付適用規格		FH 0.6BTB CONNECTOR	
FINISH 仕上		WEIGHT		PLUG 4H STD TYPE	
△ 1		△ 2		SIZE	RESTRICTED TO
		CUSTOMER DRAWING		A3	
				CAGE CODE	
				DRAWING NO	
				G-5353183	
				SCALE 尺度	
				4:1	
				SHEET	
				2 OF 2	
				REV	
				B1	