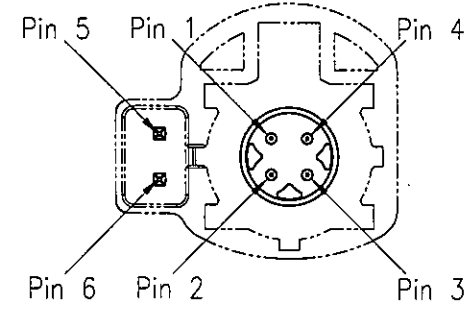
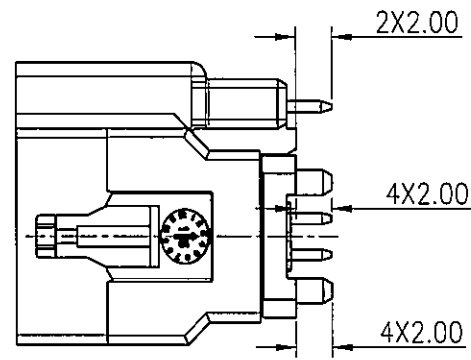
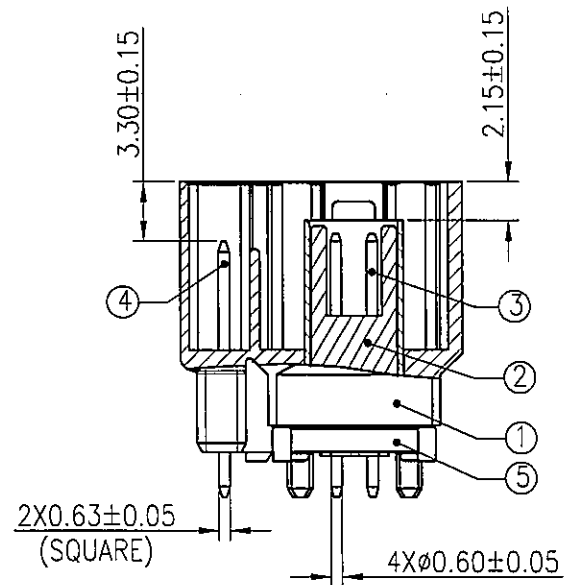


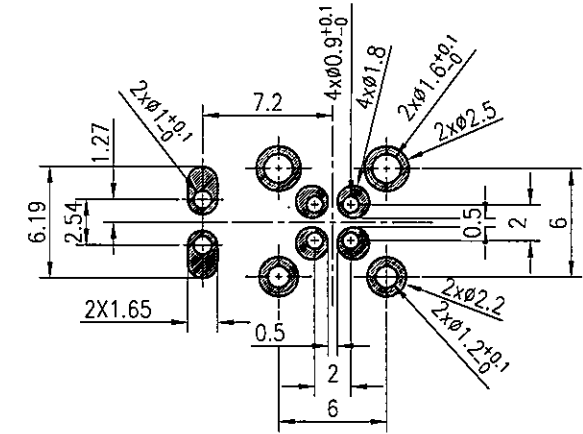
This document is the property of Amphenol Corporation and is delivered on the express condition that it is not to be disclosed, reproduced or used, in whole or in part, for manufacture or sale by anyone other than Amphenol Corporation without its prior consent, & that no right is granted to disclose or to use any information in this document.

CUSTOMER DRAWING

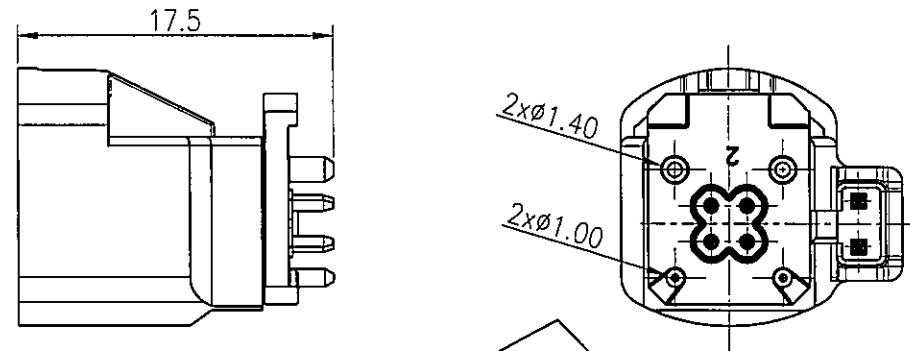
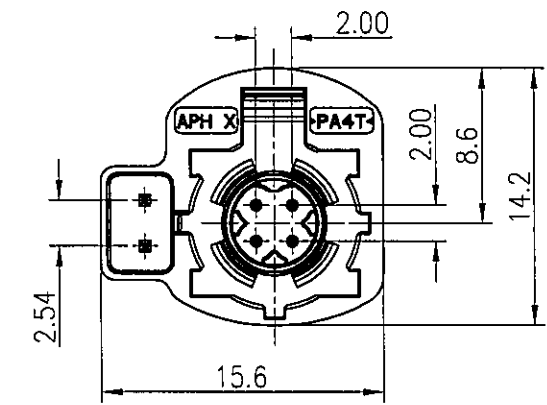
REVISIONS				
SYM	ECN	DESCRIPTION	DATE	APPROVED
3	HK7313	FIRST RELEASE	02/17'16	IP



PINNING STANDARD



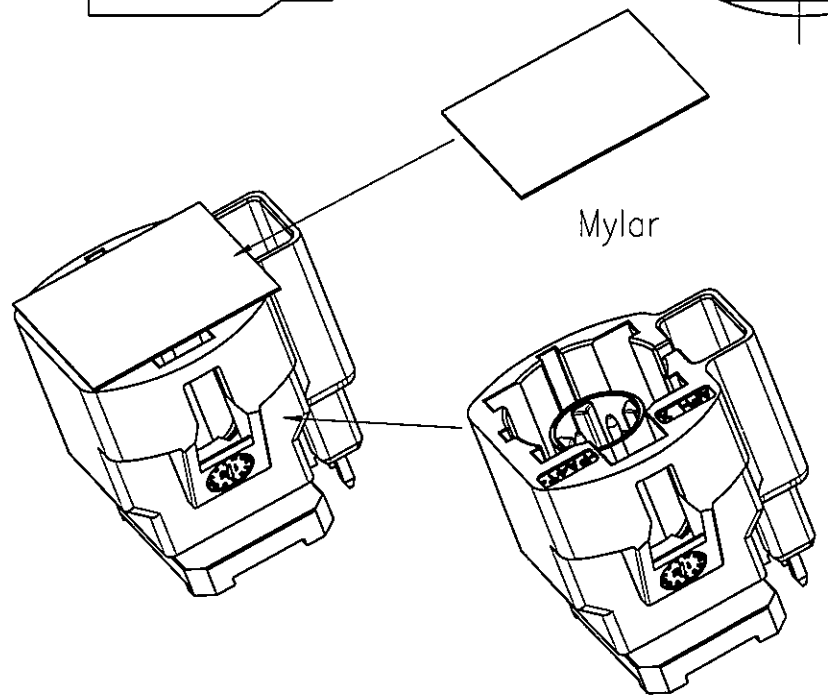
RECOMMENDED PCB LAYOUT TOP VIEW
 TOLERANCE: ±0.05 (PCB THICKNESS=1.6±0.15mm)
 THICKNESS OF STENCIL: 0.2mm



- Notes:
- Material:
 - ① Housing: High temperature Thermoplastic, color see table 1.
 - ② Dielectric: High temperature thermoplastic, color black.
 - ③ Center contacts: Copper alloy.
 - ④ Square Contact: Copper alloy.
 - ⑤ Outer Contact: Zinc alloy.
 - Finish:
 - ③ Center contacts: Gold plated over Nickel under plated.
 - ④ Square contact: Tin plated.
 - ⑤ Outer Contact: Tin plated.
 - RoHS compliant.
 - Order P/N system:

Table 1

Plug	Coding	Color	Ral
	A	Black	9005
	B	White	9001
	C	Blue	5005
	D	Claret	4004
	E	Green	6002
	F	Brown	8011
	Z	Waterblue	5021



3D PROFILE



HSD NXSP PCB 15X
 Coding: _____
 See table 1

Packing method:
 A- Packing by tape & reel
 B- Packing by tray
 C- Single Packing

UNLESS OTHERWISE SPECIFIED TOLERANCES		APPROVAL		DATE	Amphenol
U.S. METRIC		DRAWN	Kaka Yang	02/17'16	
.X +/-	0.50	CHECKED	Wilber	2/18/16	TITLE HSD + 2POS POWER PLUG, VERTICAL NORTH LOCATION
.XX +/-	0.25	CHECKED			
.XXX +/-	0.20	DRAWING FILE: S:\PE\Mehta\DRAWING\HSD\HSDNXSPPCB15X-3.DWG			SIZE A3
FRACTIONS +/-	5'	REMOVE SHARP EDGES			
ANGLES +/-		DIMENSIONS			DRAWING NO. HSDNXSPPCB15X
FOR MATERIALS AND FINISHES SEE NOTES		ANGLE OF PROJECTION			REV. 3
REMOVE SHARP EDGES		U.S. INCHES			SCALE N/A
DIMENSIONS		METRIC MM			SHEET 1 OF 1