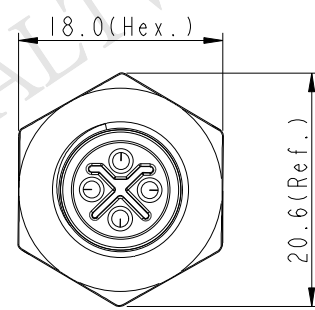
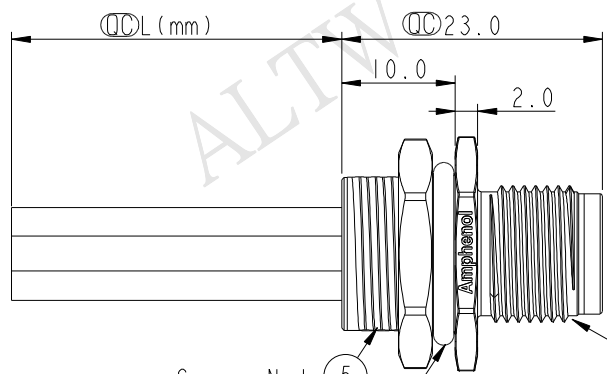
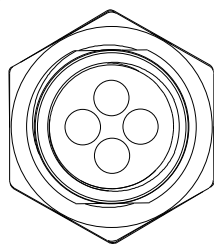


THIS DOCUMENT IS SUBJECT TO CHANGE WITHOUT NOTICE. IT IS CONFIDENTIAL AND A PROPERTY OF Amphenol LTW. DISCLOSURE TO THIRD PARTY HAS TO BE AUTHORIZED BY Amphenol LTW.

REV.	ECN NO.	DATE	SIGN	DESCRIPTION
A	Initial Release	2015/03/04	Cary	Change Rev. 01 to Rev.A
B	LE317A0006-0007	2017-10-09	Feng_Li	Update The Note

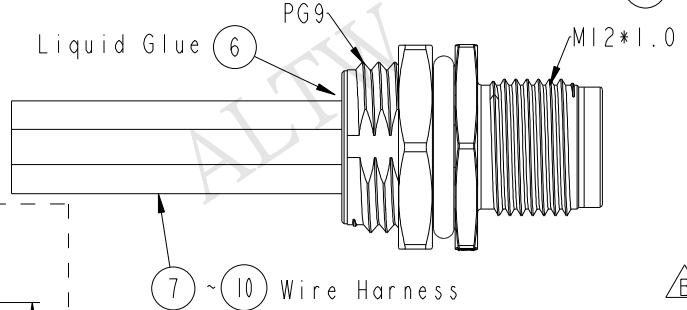
ALTW
CONFIDENTIAL
2017-10-09
R&D DEPT.



M12S-04PMMS-SH8BXX

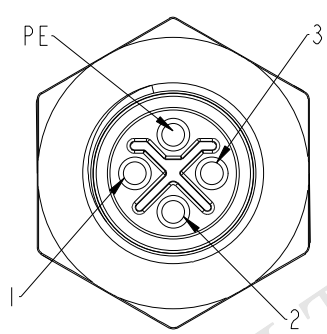
- XX: 150~1500mm
- 15: 150mm
- 30: 300mm
- 50: 500mm
- A0: 1000mm
- A5: 1500mm
- Wire Length(L): 150~1500mm

- ① Connector
- ② Male Pin
- ③ Shield
- ④ O-Ring
- ⑤ Screw Nut

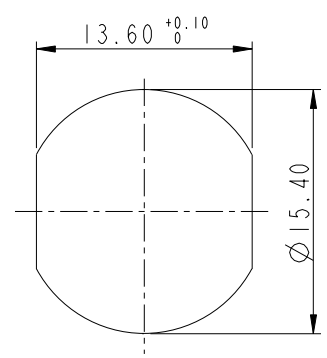


ALTW
DCC. DEPT.
CONFIDENTIAL
2017.10.30
ISSUED

- Note:
- * ⌀ Important Dimension.
 - * Waterproof Rate: IP68.
 - IP68: 1M Depth Of Water In 24hours.
 - * Housing: Nylon+GF, UL94V-0, Black.
 - * Male Pin: Copper Alloy, Gold Plated.
 - * Shield: Zinc Alloy, Nickel Plated.
 - * Panel Nut: Zinc Alloy, Nickel Plated.
 - * O-Ring: Viton, Black.
 - * Wire Harness: UL1015 16AWG(1.5mm²).
 - * Rated Voltage: 630V AC
 - * Rated Current at 40°C: 12A
 - * Operation Temperature: -40~85°C.
 - * For Panel Thickness Max 4.5mm.
 - * Nut Torque: 4-6 Kgf.cm(0.4~0.6N.m).
 - * Wire harness Tolerance: 150~300 ±15mm
 - 301~1000 ±20mm
 - Over1000 ±40mm



Pin Assignment
Front View



Recommended
Panel Cut-Out

PE	Black	黑
3	Blue	藍
2	White	白
1	Brown	棕
Conn.	Wire Color	Pin Out

UNIT:mm		
TOLERANCE	.X ±0.25	
	.XX ±0.1	
	.XXX ±0.05	
ANGLES	±1°	

TITLE M12 S-Code 4Pin Male Type			
SCALE 1:1	SIZE A4	SHEET 1 OF 1	
REV. B	WC-REV. A.2	⌀ : Inspection item	

Amphenol LTW
安費諾亮泰企業股份有限公司

ITEM NO	DRAWN BY Feng_Li	DATE 2017-10-09
DWG NO M12S-04PMMS-SH8BXX	CHECKED BY Mafei	DATE 2017-10-09
CUSTOMER ALTW	APPROVED BY Jerry	DATE 2017-10-09