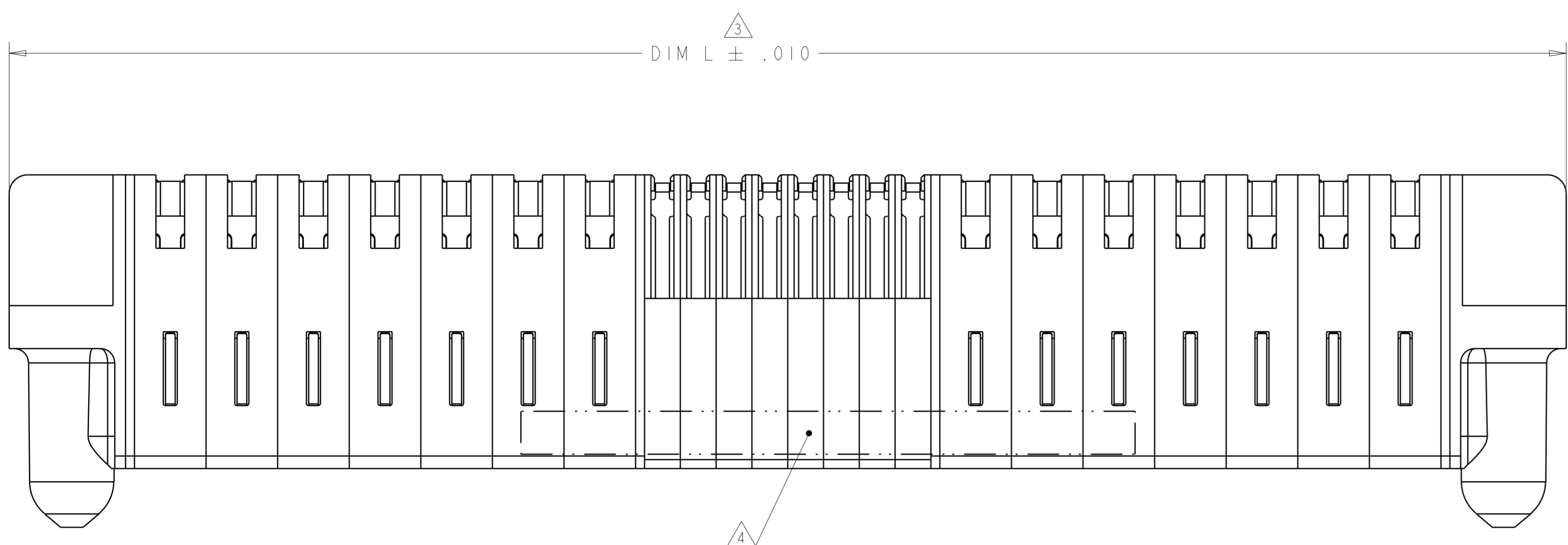
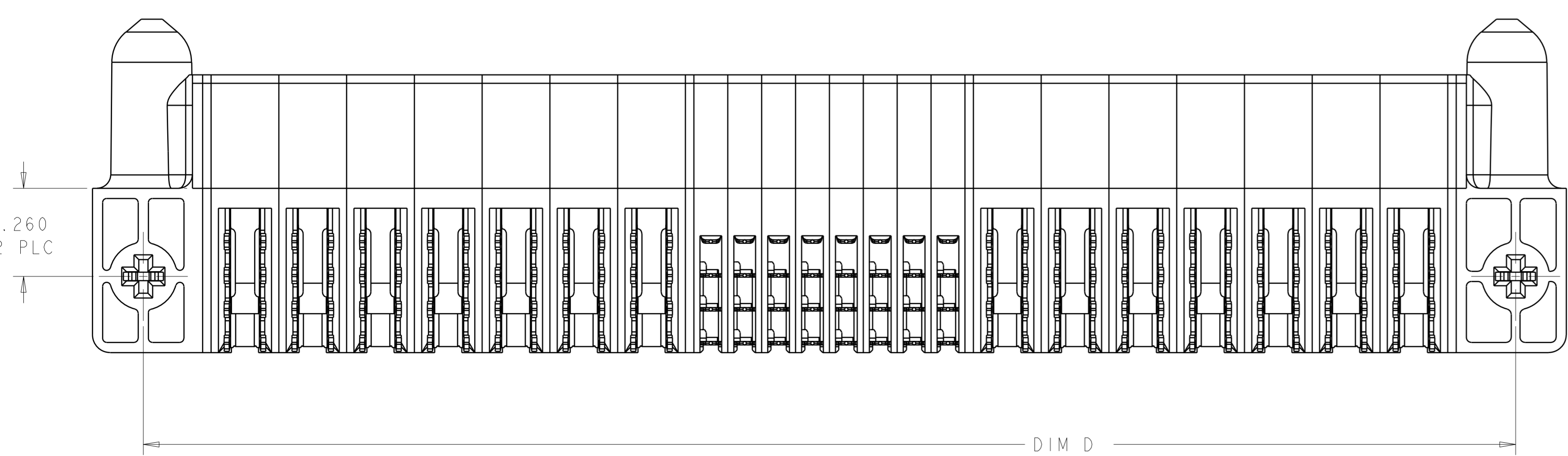
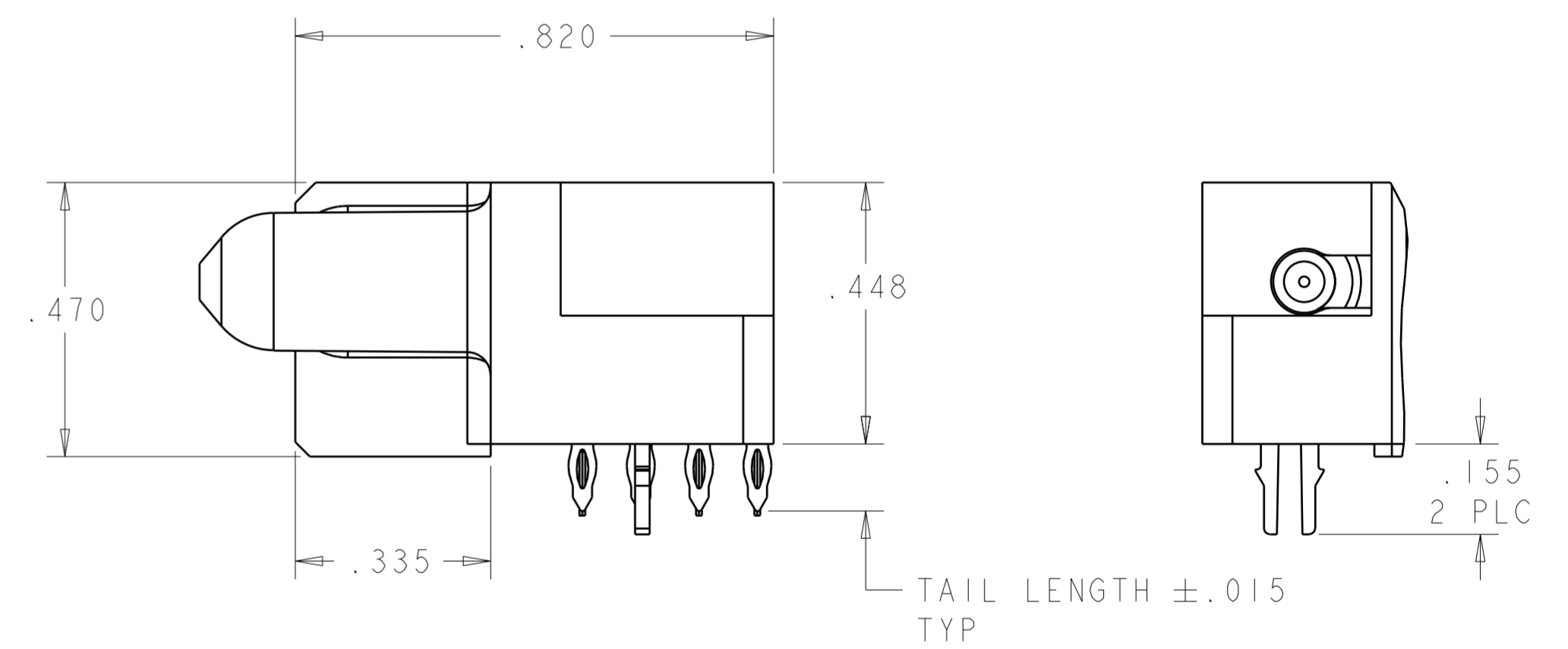
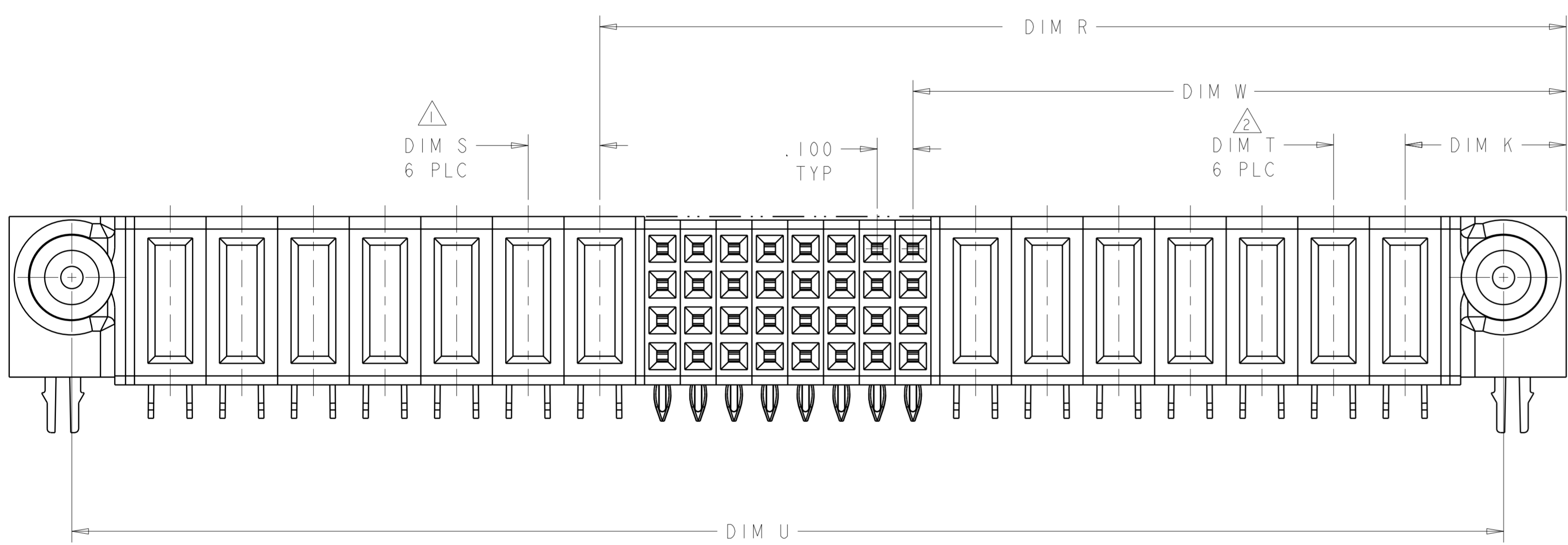


LOC	DIST	REVISIONS			
P	LTR	DESCRIPTION	DATE	DWN	APVD
A		REV PER ECR-06-023720	11OCT2006	DZ	SY



- △ DIM S IS CENTERLINE SPACING OF POWER MODULES ON LEFT SIDE OF HOUSING
- △ DIM T IS CENTERLINE SPACING OF POWER MODULES ON RIGHT SIDE OF HOUSING
- △ THE MAXIMUM OVERALL LENGTH (DIM L) OF A PART IS 8.00
- △ "AMP", PART NUMBER, AND DATE CODE TO BE MARKED IN AREA SHOWN
PARTS UNDER 2.00 LONG MAY BE MARKED ON BOTH SIDES
- △ MATERIAL: HOUSING - GLASS FILLED HIGH TEMP THERMO PLASTIC, UV94 V-0
SIGNAL CONTACT - HIGH CONDUCTIVITY COPPER ALLOY
POWER CONTACT - HIGH CONDUCTIVITY COPPER-IRON ALLOY
- △ CONTACT PLATING: SIGNAL CONTACTS - .000050 MIN Ni UNDER ALL
.000030 MIN Au ON CONTACT AREA
.000100 Sn AT PCB INTERFACE
POWER CONTACTS - .000050 Ni UNDER ALL
.000030 MIN Au ON CONTACT AREA
.000100 Sn AT PCB INTERFACE
- △ MECHANICAL CONNECTOR KEEP OUT ZONE
- △ DATUM AND BASIC DIMENSIONS ESTABLISHED BY CUSTOMER
- △ PCB - ALL HOLE DIAMETERS ARE FINISHED HOLE SIZES
- △ PCB - .0453 ± .0010 DRILLED HOLE PLATED WITH .0003 MIN Sn
OVER .001 TO .003 PLATING TO ACHIEVE A .040 HOLE
- △ POWER CONTACT AREA LUBRICATED WITH LUBRICANT.

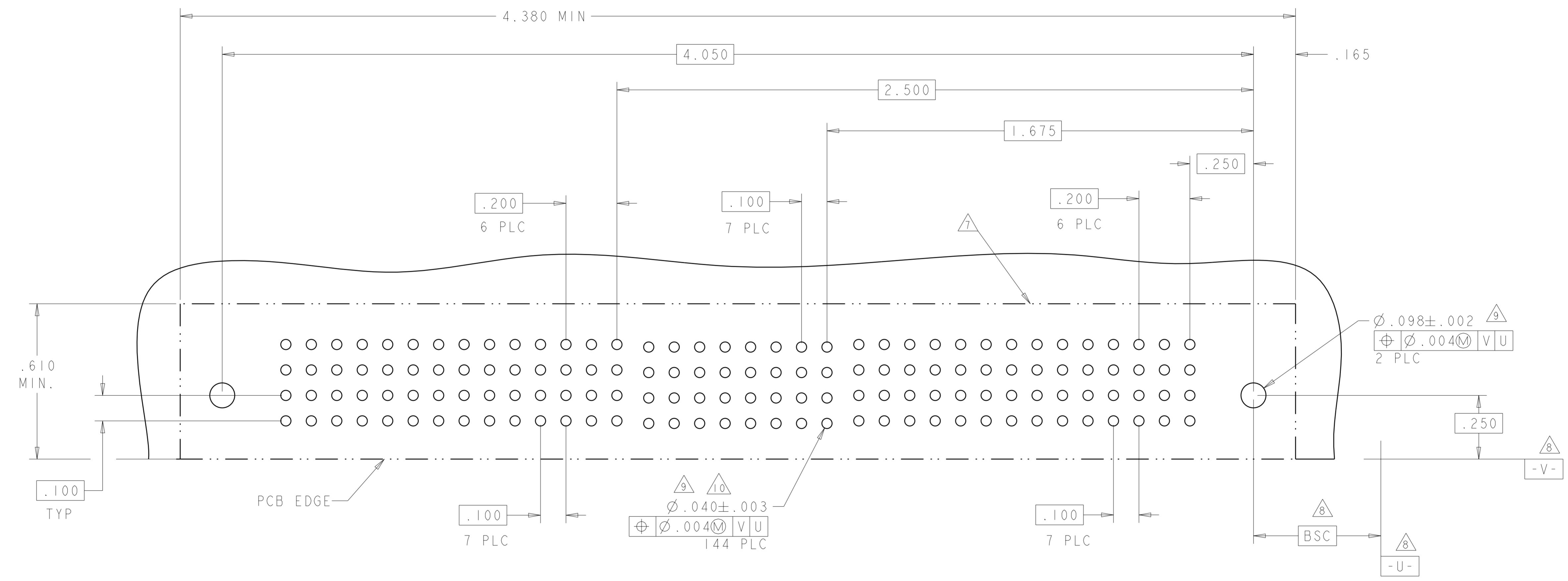


.450	1.825	.200	.200	2.700	4.050	4.000	4.350	7HDP + 32S + 7HDP	1892530-1
DIM K	DIM W	DIM T	DIM S	DIM R	DIM D	DIM U	DIM L	DESCRIPTION	PART NUMBER

DIMENSIONS:		TOLERANCES UNLESS OTHERWISE SPECIFIED:		DRAWN: Denny Zhu		11OCT2006		Tyco Electronics	
INCHES				CHK: SUNY ZHAO		11OCT2006		Shanghai, P.R.China.200233	
0 PLC	±.1	1 PLC	±.01	NAME: S. YAO		APVD: S. YAO		RESTRICTED TO	
2 PLC	±.01			PRODUCT SPEC: 108-1973					
3 PLC	±.005			APPLICATION SPEC: 114-13038					
4 PLC	±.0020			MATERIAL: 5		FINISH: 6			
ANGLES: 40° 30'				CUSTOMER DRAWING		SCALE: 4:1		SHEET 1 OF 2 REV A	

LOC		DIST		REVISIONS			
ES	00	PT	LTR	DESCRIPTION	DATE	DWN	APVD
				SEE SHEET J			

PART NUMBER	ROWS	POWER							SIGNAL								POWER						
		P14	P13	P12	P11	P10	P9	P8	8	7	6	5	4	3	2	1	P7	P6	P5	P4	P3	P2	P1
1892530-1	D C B A	RK	RK	RK	RK	RK	RK	RK	DD	DD	DD	DD	DD	DD	DD	DD	RK	RK	RK	RK	RK	RK	RK
								CC	CC	CC	CC	CC	CC	CC	CC								
								BB	BB	BB	BB	BB	BB	BB	BB								
								AA	AA	AA	AA	AA	AA	AA	AA								
7HDP + 32S + 7HDP																							



CODE	DESCRIPTION	TAIL LENGTH
DD	SIGNAL CONTACT, R/A HDR, STD, ROW D	.165
CC	SIGNAL CONTACT, R/A HDR, STD, ROW C	.165
BB	SIGNAL CONTACT, R/A HDR, STD, ROW B	.165
AA	SIGNAL CONTACT, R/A HDR, STD, ROW A	.165
RL	POWER CONTACT, R/A HDR, MLBF	.165
RK	POWER CONTACT, R/A HDR, STD	.165

CONTACT TABLE

<small>THIS DRAWING IS A CONTROLLED DOCUMENT FOR TYCO ELECTRONICS CORPORATION. IT IS SUBJECT TO CHANGE AND THE CONTROLLING ENGINEERING DEPARTMENT SHOULD BE CONTACTED FOR THE LATEST REVISION.</small>		DWN: DENNY ZHU 11OCT2006 CHK: SUNY ZHAO 11OCT2006	Tyco Electronics Shanghai, P.R.China, 200233
DIMENSIONS: INCHES 	TOLERANCES UNLESS OTHERWISE SPECIFIED: 0 PLC ±.1 1 PLC ±.01 2 PLC ±.005 3 PLC ±.0020 ANGLES ±30°	NAME: SUNY ZHAO PRODUCT SPEC: - APPLICATION SPEC: - WEIGHT: -	TITLE: RIGHT ANGLE RECEPTACLE ASSEMBLY MULTI-BEAM XL, PWR-SIG-PWR, W/GUIDES PRESS FIT LEGS SIZE: A1 CASE CODE: 00779 DRAWING NO: C-1892530
MATERIAL: -	FINISH: -	CUSTOMER DRAWING SCALE: 4:1 SHEET 2 OF 2 REV A	