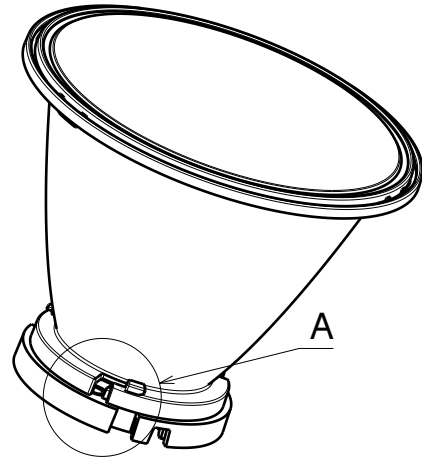
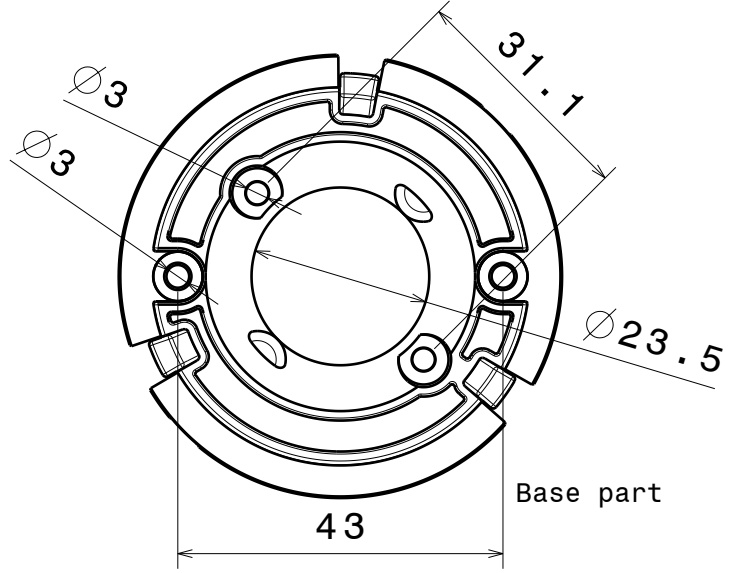


D C B A

4

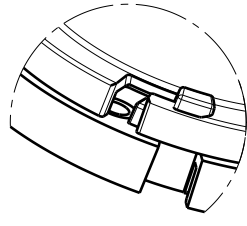


Isometric view



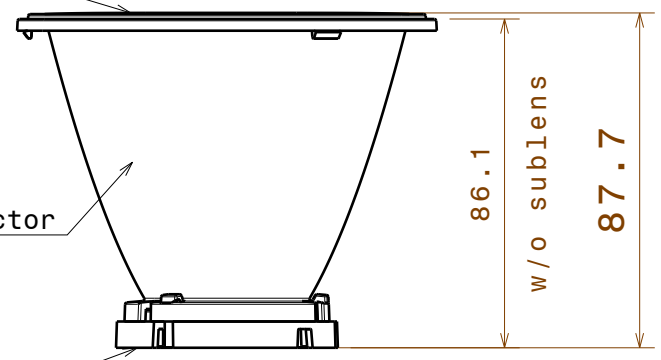
Base part

3



Detail A
Scale: 1:1

Lena sublens



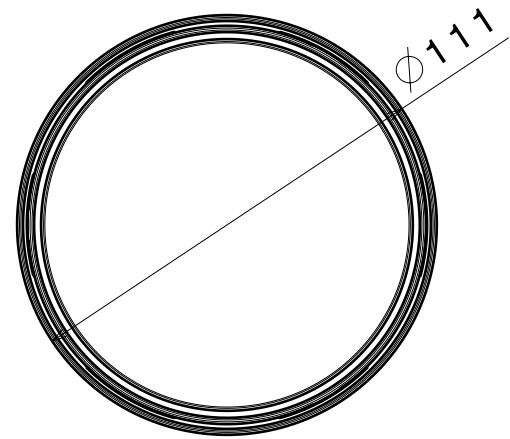
Lena reflector

Lena-STD-base CL340

2

Material:

- subLens
 - PMMA
- Reflector
 - PC
 - Metal coating and clear lacquer
- Holder base
 - PC
 - Color white



4

3

2

This drawing is our property. It can't be reproduced or communicated without our written agreement.



DRAWING TITLE

Datasheet Lena-CL340 series Assy

1

DRAWN BY p	DATE 26.05.2011	DRAWING NUMBER			REV 1
CHECKED BY p	DATE 26.05.2011	SIZE A4	DRAWING NUMBER		REV 1
DESIGNED BY pl	DATE 11.02.2011	SCALE 1:2	WEIGHT (g)	SHEET 1/1	

1

D

A