

## DETAILS

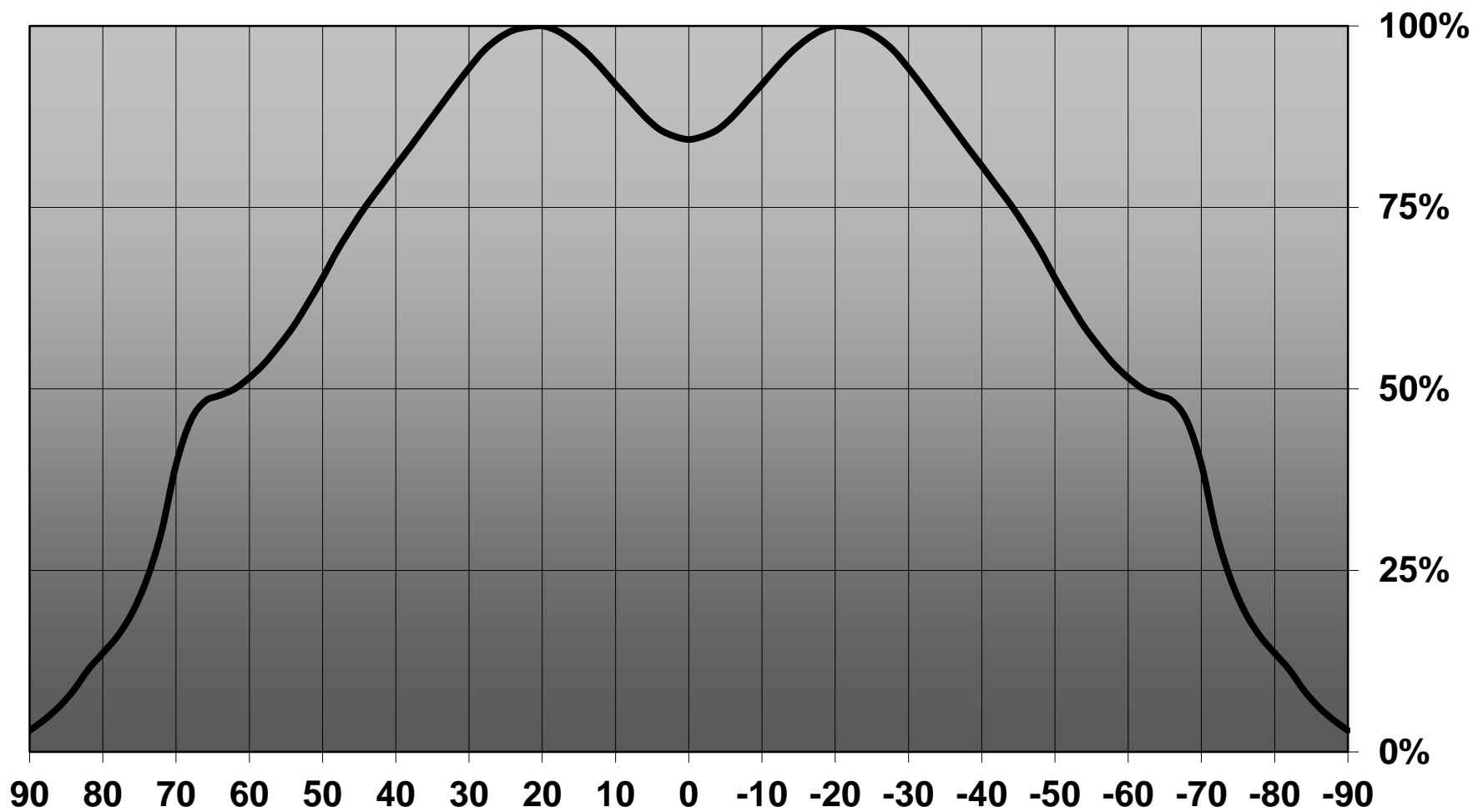
|                        |                  |
|------------------------|------------------|
| <b>Product Number</b>  | C12490_SIRI-DOME |
| <b>Family</b>          | Siri             |
| <b>Type</b>            | Lens             |
| <b>Color</b>           | clear            |
| <b>Diameter</b>        | 13,9 + 13,9 mm   |
| <b>Height</b>          | 4,9 mm           |
| <b>Style</b>           | square           |
| <b>Optic Material</b>  | PMMA             |
| <b>Holder Material</b> |                  |
| <b>Fastening</b>       | glue, pin        |
| <b>Status</b>          | production ready |
| <b>ROHS Compliant</b>  | Yes              |
| <b>Date Updated</b>    | 9/01/2015        |



## OPTICAL PROPERTIES

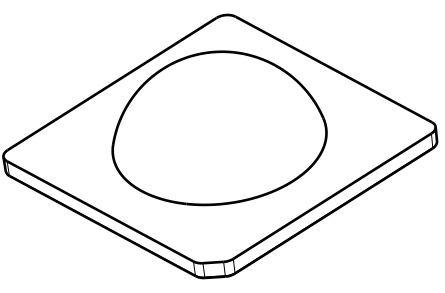
| LED               | Viewing Angle | Light Beam | Efficiency | cd/lm | Connector |
|-------------------|---------------|------------|------------|-------|-----------|
| XM-L              | 148 deg       | WWW-class  | 97 %       | 0.250 | -         |
| XP-G2             | 140 deg       | WWW-class  | 97 %       | 0.270 | -         |
| XM-L2             | 152 deg       | WWW-class  | 97 %       | 0.200 | -         |
| LUXEON A          | 142 deg       | WWW-class  | 97 %       | 0.260 | -         |
| NVSxx19B/NVSxx19C | 154 deg       | WWW-class  | 97 %       | 0.230 | -         |
| Oslo Square EC    | 124 deg       | WWW-class  | 97 %       | 0.280 | -         |

Relative intensity of C12490\_SIRI-DOME\_(SQ-EC)

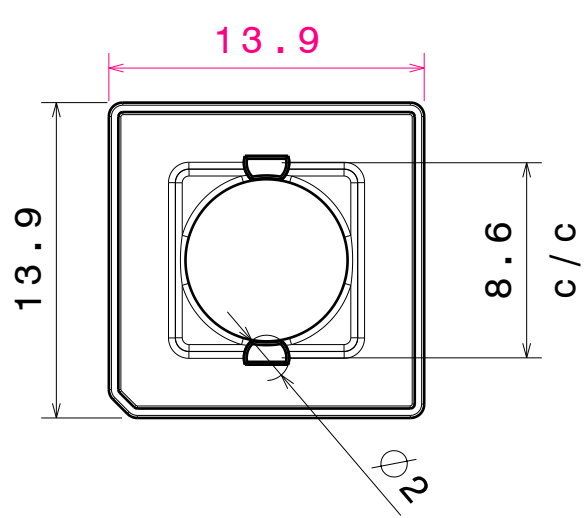
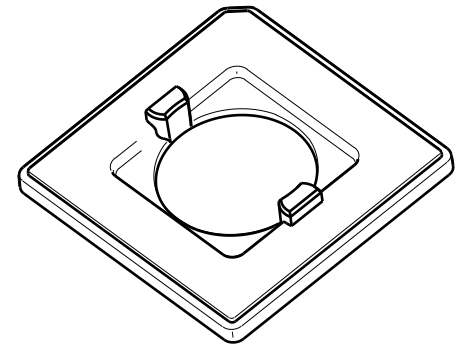


D C B A

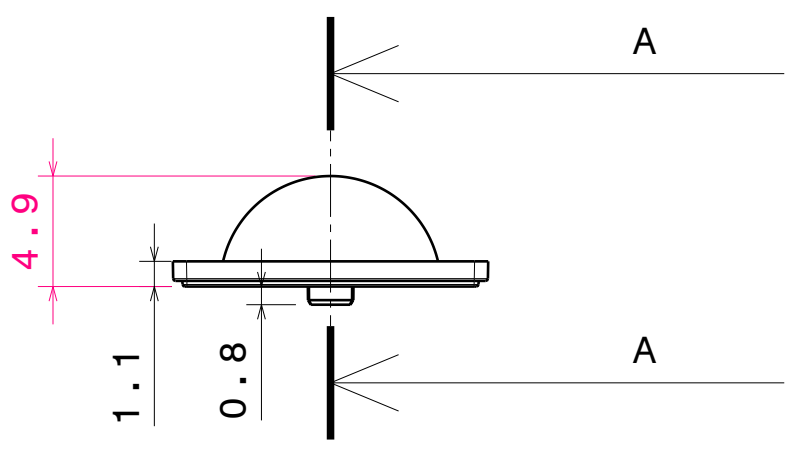
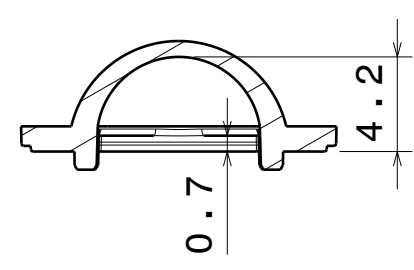
4



3



2



1

MATERIALS  
Lens: PMMA

This drawing is our property.  
It can't be reproduced  
or communicated without  
our written agreement.



Ledil Oy  
Salorankatu 10  
FIN-24100 SALO  
Finland

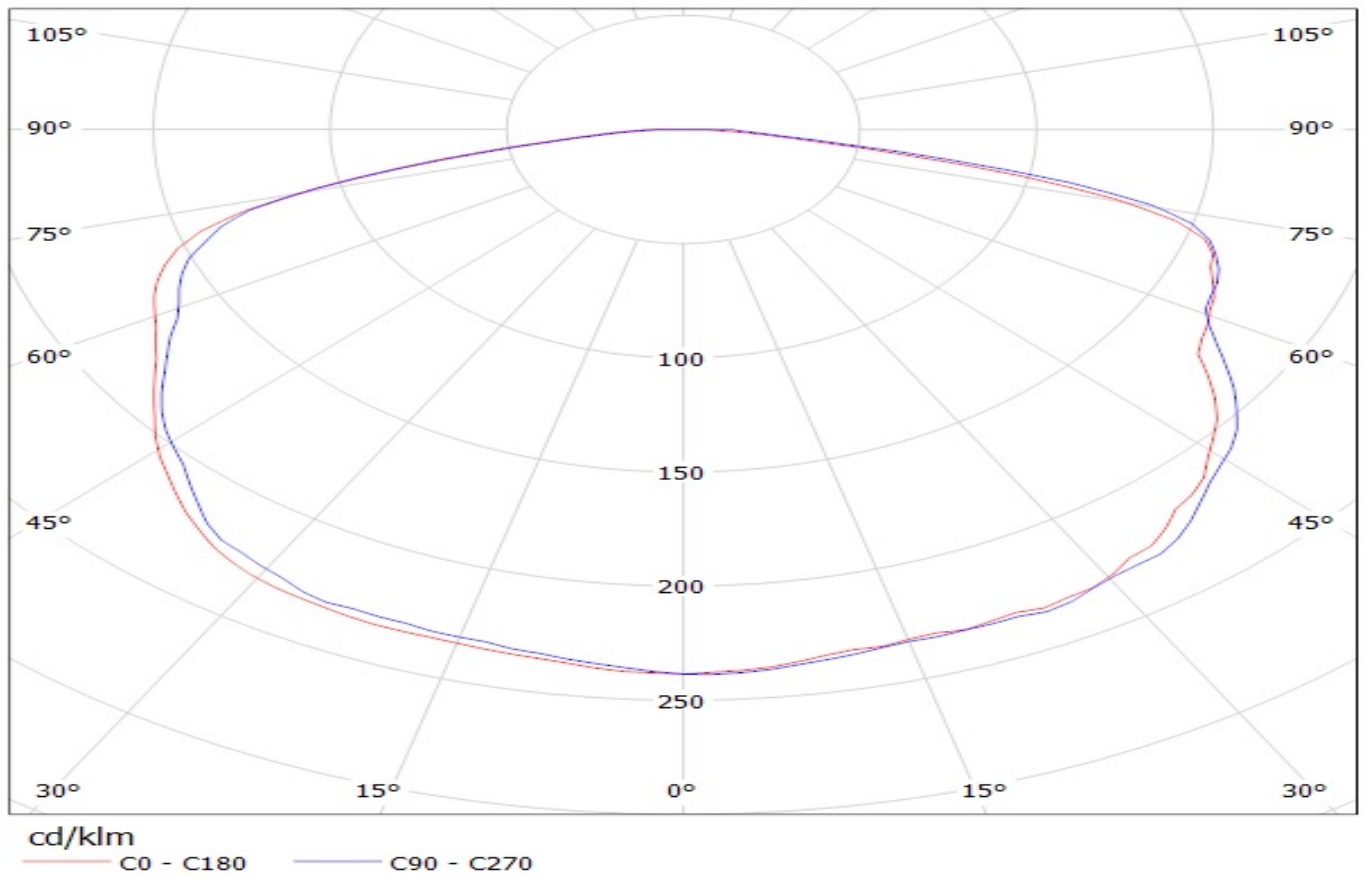
DRAWING TITLE

Datasheet Siri-Dome & Siri-Diff

|                   |                    |              |  |            |                |              |          |
|-------------------|--------------------|--------------|--|------------|----------------|--------------|----------|
| DRAWN BY<br>ah    | DATE<br>3.1.2012   | SIZE<br>A4   |  |            | DRAWING NUMBER |              | REV<br>2 |
| CHECKED BY<br>sn  | DATE<br>3.1.2012   | SCALE<br>3:1 |  | WEIGHT (g) |                | SHEET<br>1/1 |          |
| DESIGNED BY<br>pv | DATE<br>23.11.2011 |              |  |            |                |              |          |

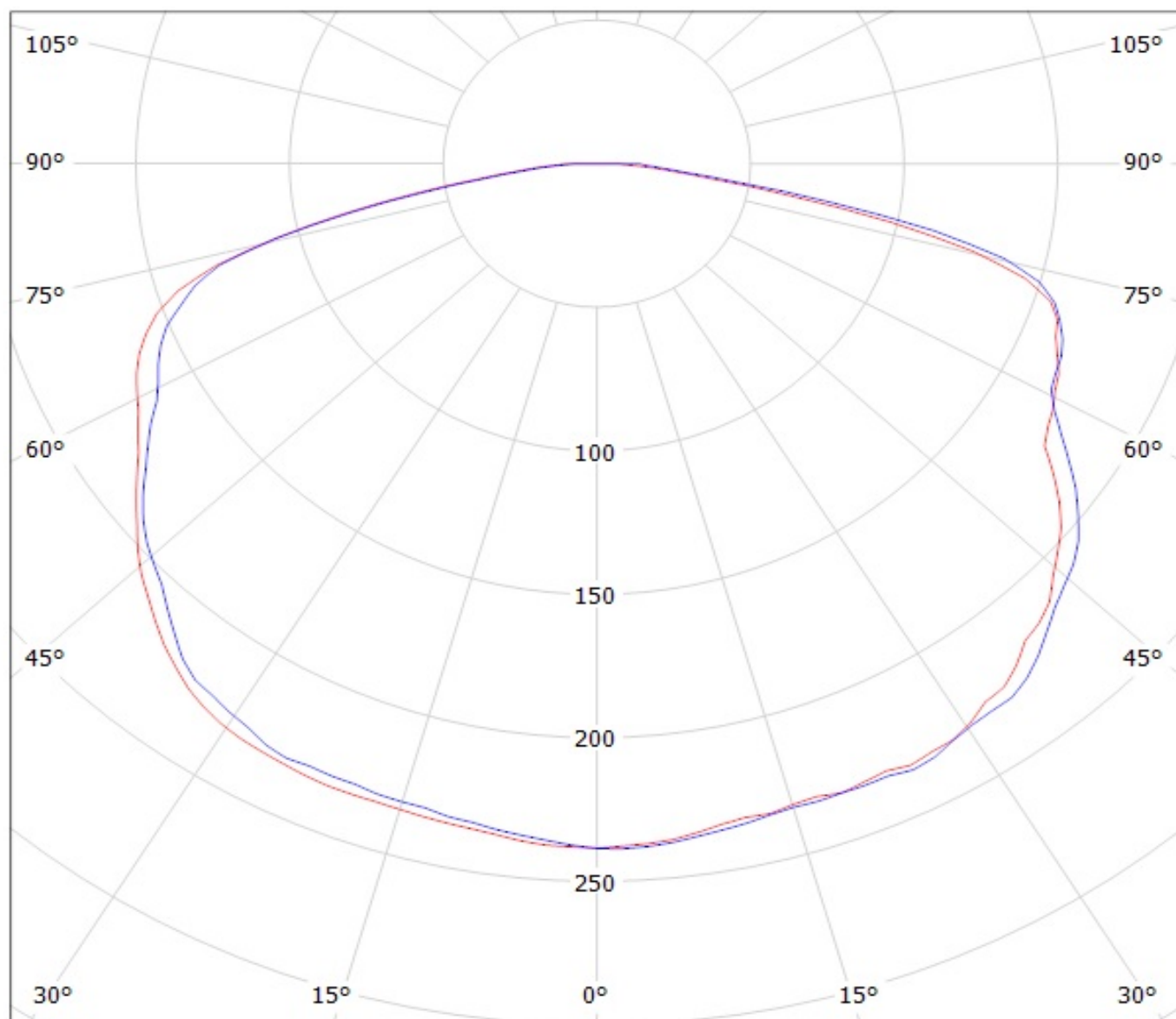
D A

Luminaire: LEDil Oy C12490\_SIRI-DOME\_(XM-L2) Efficiency=97%  
Lamps: 1 x Cree XM-L2 (XMLBWT-0-7B4-T30-0L-0001) 91lm @ 250mA CCT=3200K P=0.7W I=250mA



Luminaire: LEDil Oy C12490\_SIRI-DOME\_(XM-L2) Efficiency=97%

Lamps: 1 x Cree XM-L2 (XMLBWT-0-7B4-T30-0L-0001) 91lm @ 250mA CCT=3200K P=0.7W I=250mA



cd/klm

— C0 - C180

— C90 - C270

**NOTE: The typical divergence will be changed by different color, chip size and chip position tolerance. The typical total divergence is the full angle measured where the luminous intensity is half of the peak value.**