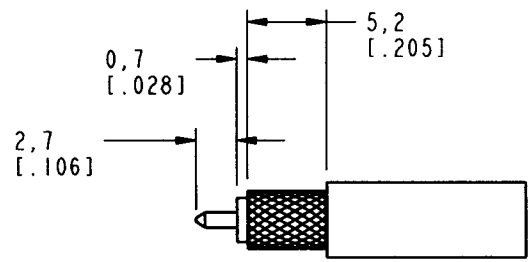
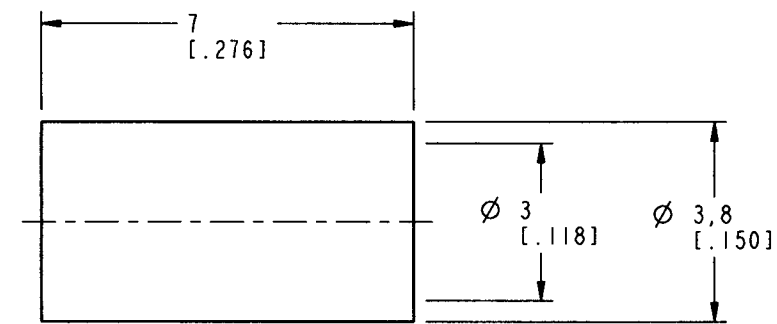
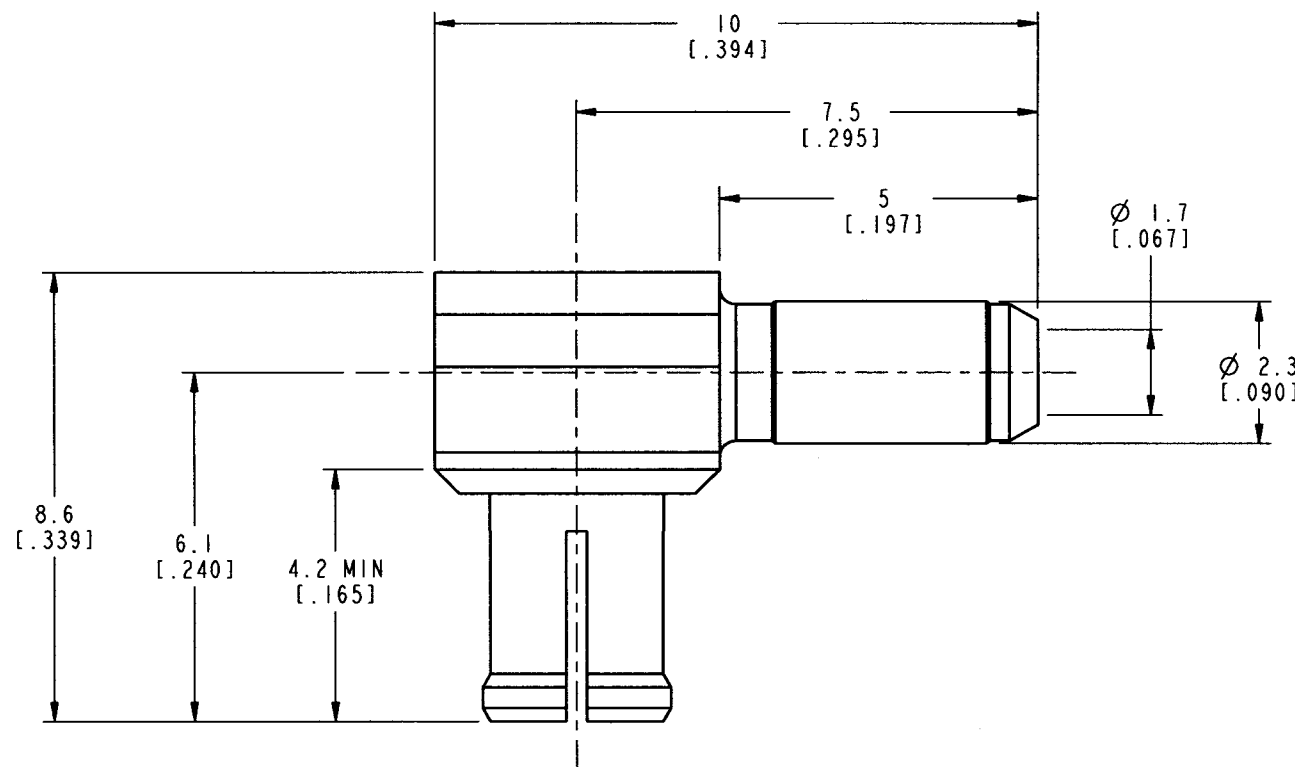
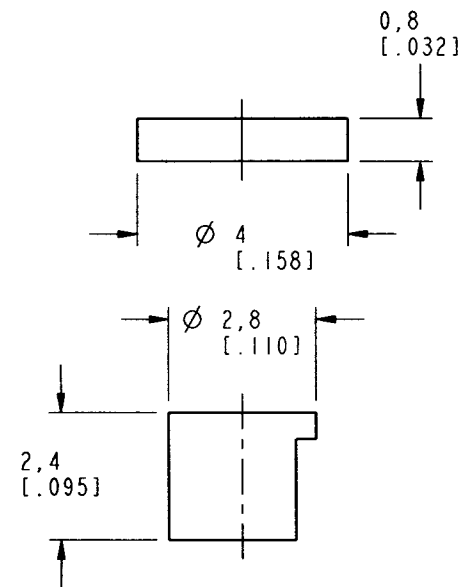


NOTES:

- MATERIALS OF CONSTRUCTION:**
 HOUSING AND CONTACT PIN = BRASS (QQ-B-626), GOLD PLATED
 OUTER CONTACT = BERYLLIUM COPPER, GOLD PLATED
 FERRULE = COPPER, GOLD PLATED
 COVER = BRASS (QQ-B-613), GOLD PLATED
 INSULATOR = TEFLON PER MIL-P-19468
 INSULATOR = DELRIN, COLOR NATURAL
- CRIMPED FERRULE = HEX CRIMP SIZE .128
 CRIMP TOOL = CTL-13
- ELECTRICAL DATA:**
 VSWR = 1.05 MAX TO 1 GHz
 1.30 MAX TO 6 GHz
 INSERTION LOSS = .05 dB MAX TO 1 GHz
 (MATED PAIR) = .15 dB MAX TO 6 GHz

919-136P-71AX		REVISIONS			
DRAWING NO.	REV	DESCRIPTION	DATE	ECO	APPR
THIRD ANGLE PROJ.	A	RELEASE TO MFG.	5/31/00	43384	CPM
	B	ADD '75 OHM' TO TITLE & CRIMP TOOL# TO NOTE 2	7/24/00	43445	CPM



RECOMMENDED CABLE STRIPPING DIMENSIONS
SCALE 2.000

CUSTOMER OUTLINE DRAWING
FOR REFERENCE ONLY

<p>UNLESS OTHERWISE SPECIFIED, DIMENSIONS ARE IN INCHES AND TOLERANCES ARE: 0.5 - 6mm ±0.2mm 6 - 30mm ±0.4mm 30 - 120mm ±0.6mm</p>	MATERIAL	DRAWN C. McGRATH DATE 18-May-00	TITLE		<p>Amphenol Amphenol Corporation Communication and Network Products Division Danbury, CT U.S.A. 06810</p>
	REFERENCE GEN# 919-136P-71AX	ENGINEER T. AUBIN DATE 18-May-00 APPROVED T. AUBIN DATE 5/31/00	MCX R/A 75 OHM CRIMP PLUG FOR RG-179/U		
<p>NOTICE - These drawings, specifications, or other data (1) are, and remain the property of Amphenol Corp. (2) must be returned upon request; and (3) are confidential and not to be disclosed to any person other than those to whom they are given by Amphenol Corp. The furnishing of these drawings, specifications, or other data by Amphenol Corp., or to any other person to anyone for any purpose is not to be regarded by implication or otherwise in any manner licensing, granting rights or permitting such holder or any other person to manufacture, use or sell any product, process or design, patented or otherwise, that may in any way be related to or disclosed by said drawings, specifications, or other data.</p>	CAD FILE I:\MCX\919-136P-71AX	CODE ID 74868	DWG SIZE B	DRAWING NO. 919-136P-71AX	REV B
			SCALE: 7.0:1	SHEET 2 OF 2	