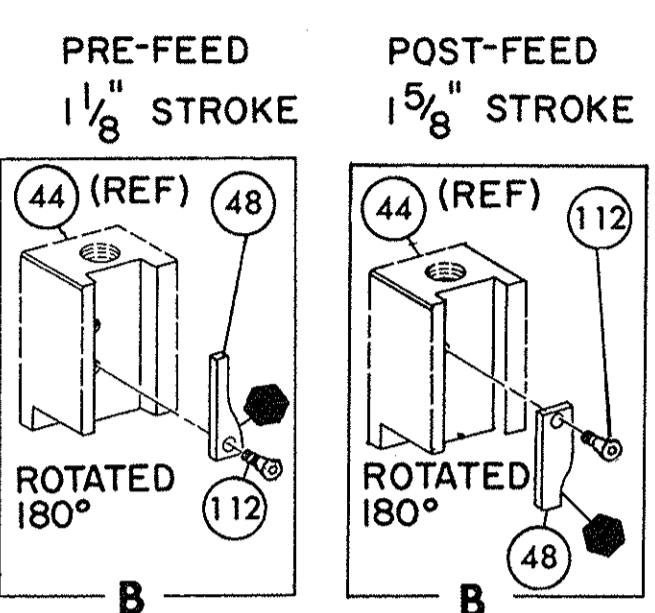
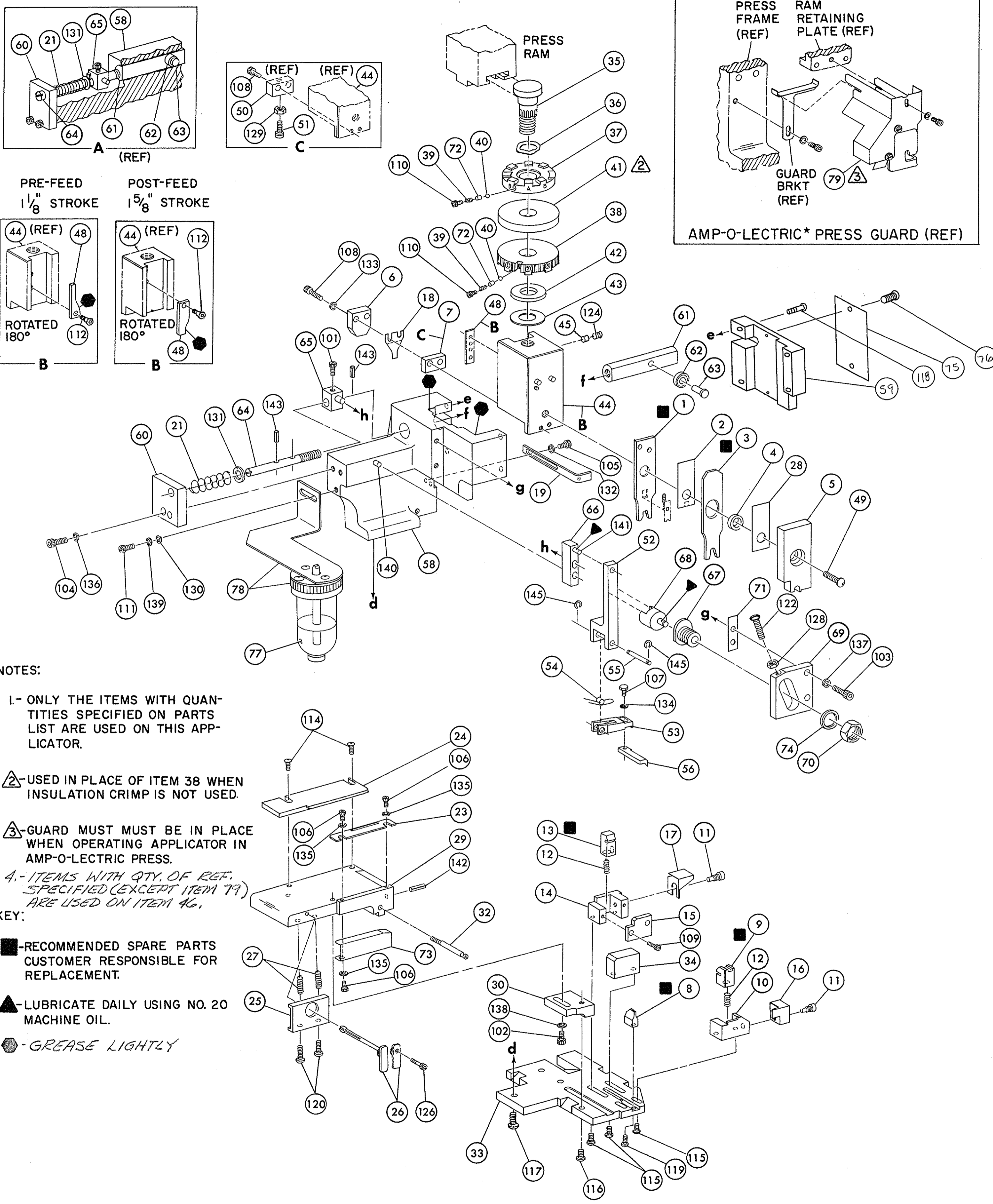


THIS IS A CONTROLLED DOCUMENT.



- NOTES:
- 1.- ONLY THE ITEMS WITH QUANTITIES SPECIFIED ON PARTS LIST ARE USED ON THIS APPLICATOR.
 - △- USED IN PLACE OF ITEM 38 WHEN INSULATION CRIMP IS NOT USED.
 - ▲- GUARD MUST BE IN PLACE WHEN OPERATING APPLICATOR IN AMP-O-LECTRIC PRESS.
 - 4.- ITEMS WITH QTY. OF REF. SPECIFIED (EXCEPT ITEM 19) ARE USED ON ITEM 46.
- KEY:
- RECOMMENDED SPARE PARTS CUSTOMER RESPONSIBLE FOR REPLACEMENT.
 - ▲- LUBRICATE DAILY USING NO. 20 MACHINE OIL.
 - GREASE LIGHTLY

REF.	PART NO	DESCRIPTION	ITEM NO	QTY	PART NO	DESCRIPTION	ITEM NO
REF.	21045-3	RING, RETAINING 'C' (.187 DIA) FEED FINGER PIN	145		REF.	454220-1	CAP, HOUSING
REF.	5-21028-1	PIN, SLOT SPR (.125 DIA X .50) ADJ ROD	144		REF.	454485-1	HOUSING
1	4-21028-0	PIN, SLOT SPR (.093 DIA X .75) STR G PLATE	143				
REF.	1-21030-1	PIN, DOWEL (.187 DIA X .50) LEVER	142		1	690542-2	PAWL, FEED
REF.	1-21030-6	PIN, DOWEL (.187 DIA X 1.25) HOUSING	141		REF.	240624-1	PIN, FEED FINGER
REF.	21024-5	WASHER, LOCK (NO 10) LUB ASSY	140		REF.	691499-1	SPRING, FEED FINGER
1	21024-5	WASHER, LOCK (NO 10) STRIP GUIDE ADJ BLOCK	139		REF.	690541-1	FINGER, FEED
REF.	21024-5	WASHER, LOCK (NO 10) ADJ PLATE	138		REF.	455679-1	LEVER, TERMINAL FEED ARM
REF.	21024-5	WASHER, LOCK (NO 10) FEED GUIDE ROD	137				
3	21057-2	WASHER, LOCK (NO 4) FRONT STRIP GUIDE	136				
1	21024-4	WASHER, LOCK (NO 8) FEED FINGER	135	1	7-21002-9	BOLT, CRIMPER	
	21024-4	WASHER, LOCK (NO 8) DEPRESSOR	134	1	690501-4	CAM POST-FEED	1/8 STROKE
1	21024-4	WASHER, LOCK (NO 8) STRIPPER	133				
REF.	21899-4	WASHER, FLAT (5/16 DIA) SCREW ADJ	132	/	459456-1	APPLICATOR, BASIC (SUB ASSY)	
	21899-2	WASHER, FLAT (NO 10) LUB ASSY	131	1	690191-1	PLUG, NYLON	
	21068-5	NUT, HEX MACH (6-32) HOLDDOWN	130	1	455673-1	RAM	
REF.	21068-5	NUT, HEX MACH (6-32) FEED ADJ	129	1	690125-1	WASHER, LAMINATED	
			128	1	690124-1	WASHER, RAM	
			127				
	22353-8	SCR, SHLD. (.187 DIA X .250 LG) DRAG LEVER	126	2	23241-6	BALL, STEEL	
1	21009-2	SCR, SKT SET (1/4-20 X .25) (LOC-WEL) RAM	125	2	690170-1	SPRING, COMPRESSION	
REF.	3-21064-2	SCR, RD HD MACH (6-32 X 1.50) FEED ADJ	124	1	690142-1	DISC, INSULATION	
			123	1	9-690692-4	DISC, WIRE	
2	2-21002-9	SCR, BUT HD SKT CAP (10-32 X .75) DRAG	122	1	22480-5	WASHER, SPRING	
1	22733-8	SCR, BUT HD SKT CAP (8-32 X .38) (LOC-WEL) ANVIL	121	1	690212-1	POST, RAM	
REF.	2-21002-9	SCR, BUT HD SKT CAP (10-32 X .75) CAP	120				
REF.	1-24073-9	SCR, BUT HD SKT CAP (1/4-20 X .75) HOUSING	119	REF.	455675-1	SUPPORT, TERMINAL	
REF.	2-21002-7	SCR, BUT HD SKT CAP (10-32 X .50) SG ADJ BLOCK	118	1	690432-3	PLATE, BASE	
2	2-21002-2	SCR, BUT HD SKT CAP (8-32 X .50) SHEAR	117				
2	2-21002-2	SCR, BUT HD SKT CAP (8-32 X .50) R STRIP GUIDE	116	REF.	455689-1	BLOCK, STRIP GUIDE ADJ	
1	2-21003-0	SCR, FLAT HD SKT CAP (6-32 X .50) CAM	115	1	455671-1	PLATE, STRIP GUIDE	
	3-21000-4	SCR, SKT HD CAP (10-32 X .38) LUBRICATOR ASSY	114	1	455888-5	SPACER, FRONT SHEAR DEPRESSOR	
2	23030-1	SCR, SKT HD CAP (6-32 X .25) (LOC-WEL) CP DISC	113	2	1-22284-0	SPRING, DRAG	
			112	1	690546-1	LEVER, DRAG RELEASE	
			111	1	240792-1	DRAG, STOCK	
			110	1	690504-4	GUIDE STRIP (REAR)	
			109	1	690438-1	GUIDE, STRIP (FRONT)	
			108				
1	2-22603-0	SCR, SKT HD CAP (8-32 X .31) DEPRESSOR	107	REF.	4-22284-9	SPRING, FEED RETURN	
3	1-21000-3	SCR, SKT HD CAP (4-40 X .25) F STRIP GUIDE	106				
1	2-21000-7	SCR, SKT HD CAP (8-32 X .50) STRIPPER	105	1	690472-2	STRIPPER	
REF.	3-21000-7	SCR, SKT HD CAP (10-32 X .75) FEED ROD GUIDE	104				
REF.	3-21000-6	SCR, SKT HD CAP (10-32 X .62) FEED ADJ BLOCK	103				
1	3-21000-4	SCR, SKT HD CAP (10-32 X .38) SG ADJ BLOCK	102	1	691667-3	GUARD, CHIP (FRONT)	
REF.	3-21000-4	SCR, SKT HD CAP (10-32 X .38) PIVOT BLOCK	101				
REF.	455749-1	GUARD, WINDOW	79				
	1-465184-0	LUBRICATOR ASSY	78				
		OIL, LUBRICATING	77	/	5-22280-0	SPRING, SHEAR	
2	21017-2	SCR, DRIVE (#2 X .19) ID PLATE	76	/	690461-1	STOP, SHEAR	
1	461264-1	PLATE, ID	75	/	690459-1	HOLDER, SHEAR (FRONT)	
REF.	458109-1	WASHER, SPECIAL	74	/	454276-2	SHEAR, FLOAT (FRONT)	
1	454877-3	PLATE, STRIP GUIDE COVER	73	1	2-690471-1	ANVIL	
2	690603-1	SPRING, ASSIST	72				
REF.	690517-1	SPACER	71				
	22594-8	NUT, HEX	70	/	1-455889-4	DEPRESSOR, SHEAR (REAR)	
	240628-1	PLATE, ADJUSTMENT	69	/	238011-7	DEPRESSOR, SHEAR (FRONT)	
	240626-1	SHAFT, PIVOT	68	/	4-456134-3	SPACER, TUBULAR, INS CRIMPER	
	240633-1	BUSHING	67	/	1-455888-0	CRIMPER, INSULATION	
	455680-1	LEVER, INTERMEDIATE	66	1	1-456406-2	SPACER, CRIMPER	
	240629-1	BLOCK, PIVOT	65				
	240632-2	SCREW, ADJUSTMENT FEED ROD	64				
	240659-3	PIN, CAM ROLLER	63				
	240658-1	ROLLER, CAM	62				
	454398-2	ROD, FEED	61				
REF.	454178-1	GUIDE, FEED ROD	60				

REMARKS	NO	REV
APPL USED ON MACHINE PART NO	MACH SERIAL NO	DISTRIBUTION
CUSTOMER NAME	APPL SERIAL NO	ORIGINAL
ADDRESS	PURCHASE ORDER	CUSTOMER COPY
CITY	ENG APP	FIELD ENG COPY

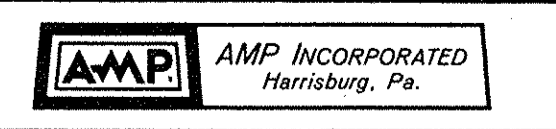
CRIMPING DATA				APPLICATOR WILL APPLY	
PAD LTR	CRIMP HEIGHT	WIRE SIZE	WIRE STRIP LENGTH	69054	
A	.078	14			
B	.067	16			
C	.060	18			
D	NOT USED				
CRIMP	SIZE	TYPE	FEED	APPL INST	
WIRE	.090	F	.760	A18040	
INSUL	.180	F			
WIRE RANGE	INSULATION RANGE		PRESS NO		
18-14	.120-.170				
REMARKS POST-FEED AMPOMATOR					

I.D. PLATE (REF) = 461264-1

DIST 66

* Trademark of AMP Incorporated

AMP 2983-3 (8-73)



SET UP GAGE 10-1
E ECN 0150-0402-04 M/E 3-04 450637-1 158
V E ECN 0150-5402-94 M/E 1-94 DR7-18-75 APP 2111
D 0150-5384-94 M/E 4-94
C ECN A157588 M/E 11-88 CHK 7/15/88
B REV PER ECN 23913 P/13-10-81
A REV ITEM 37 R2346 M/E 1-30-78

NAME MINIATURE QUICK CHANGE APPLICATOR
SIDE FEED (TAB RECEIPT)

CUSTOMER AND ASSEMBLY DRAWING