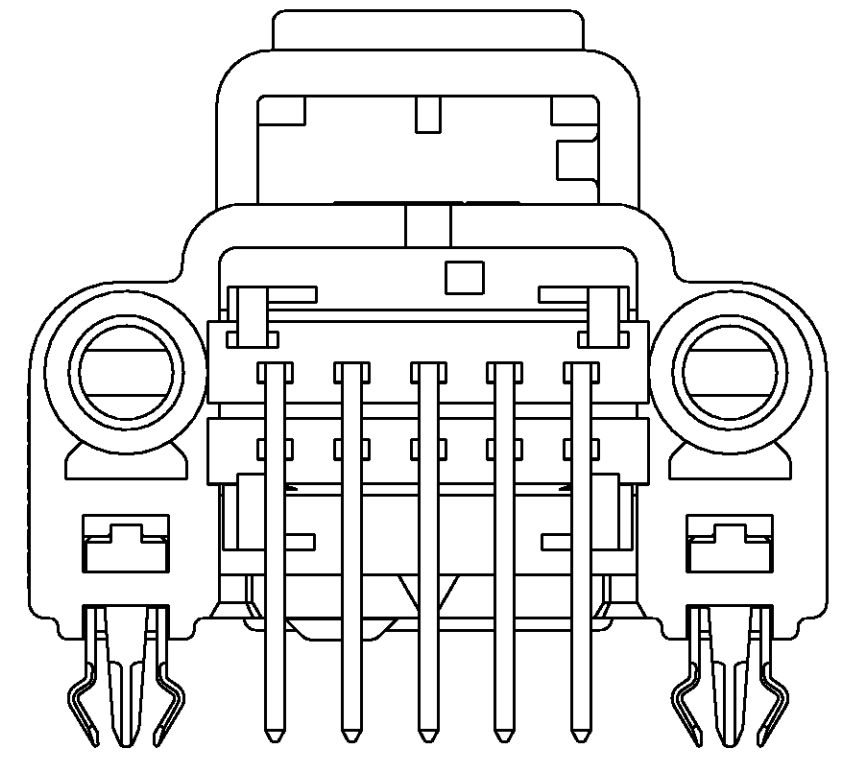
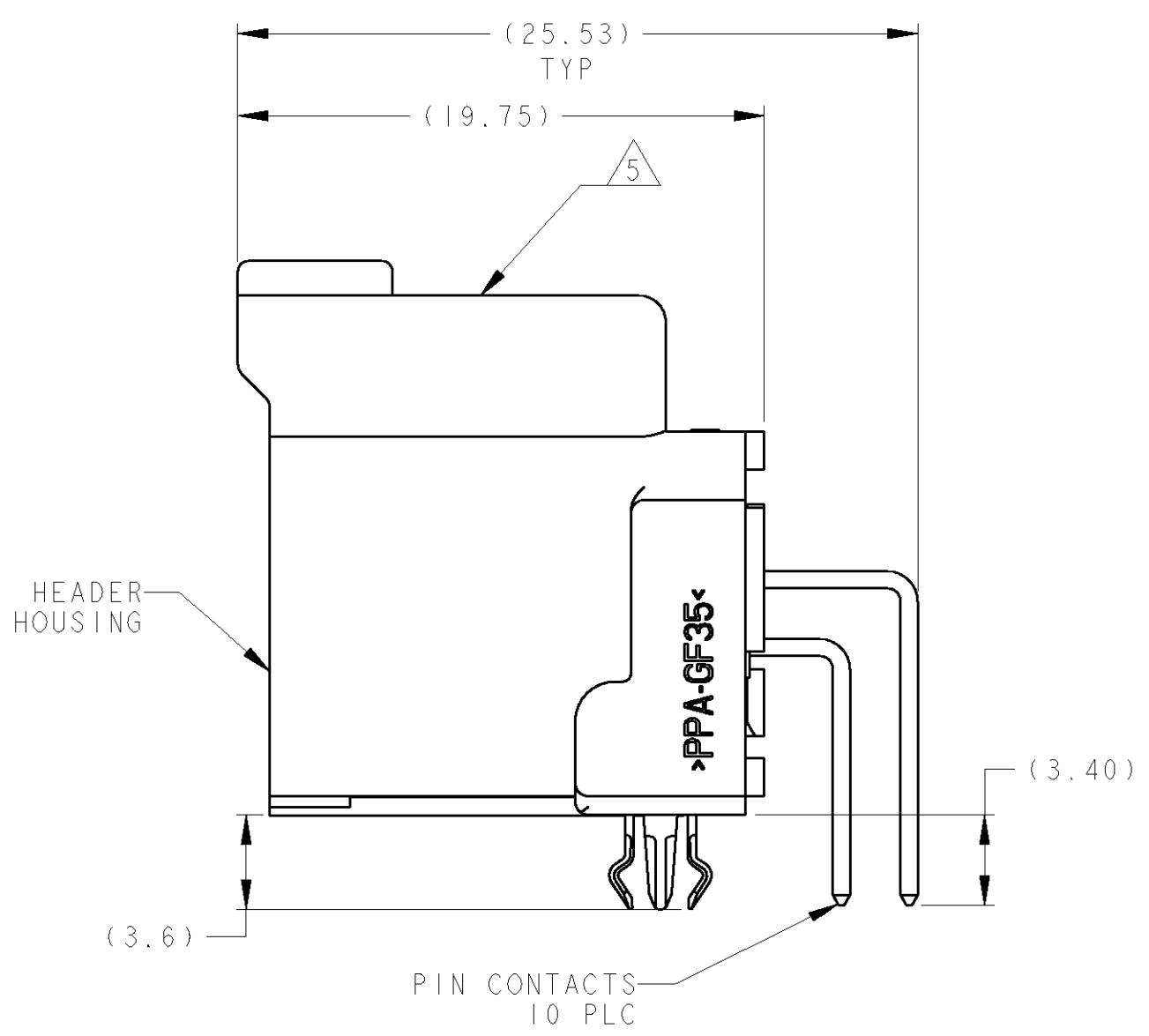
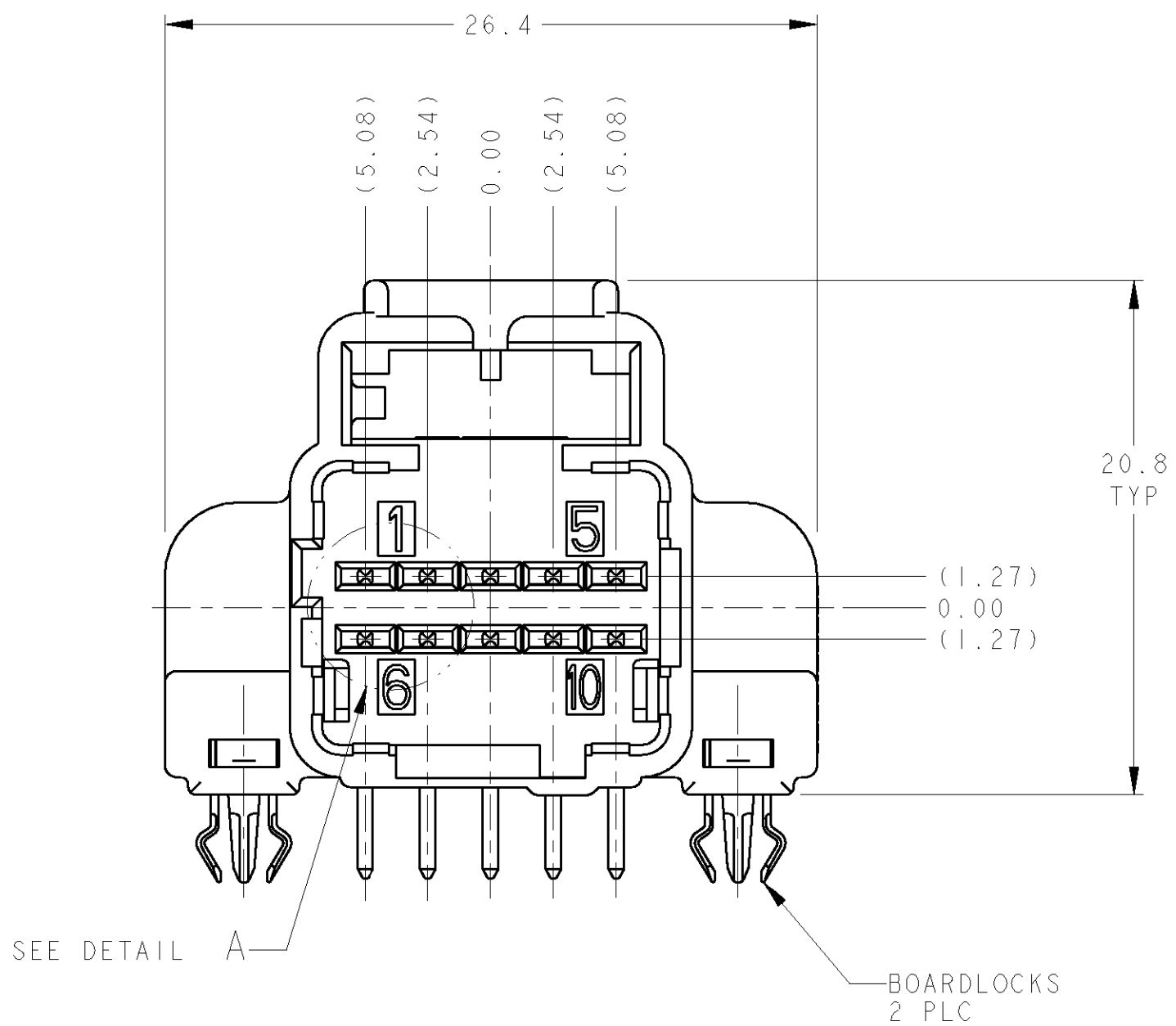


THIS DRAWING IS UNPUBLISHED. RELEASED FOR PUBLICATION  
 © COPYRIGHT 20 BY TYCO ELECTRONICS CORPORATION. ALL RIGHTS RESERVED.

LOC	DIST	REVISIONS			
P	LTR	DESCRIPTION	DATE	DWN	APVD
FX	00				
	01	0K80-0244-03, 0K80-0288-03	21AUG2003	AH	AE

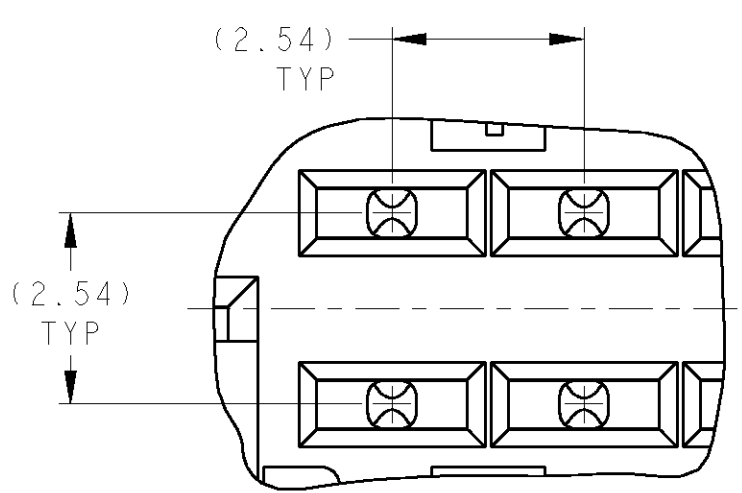
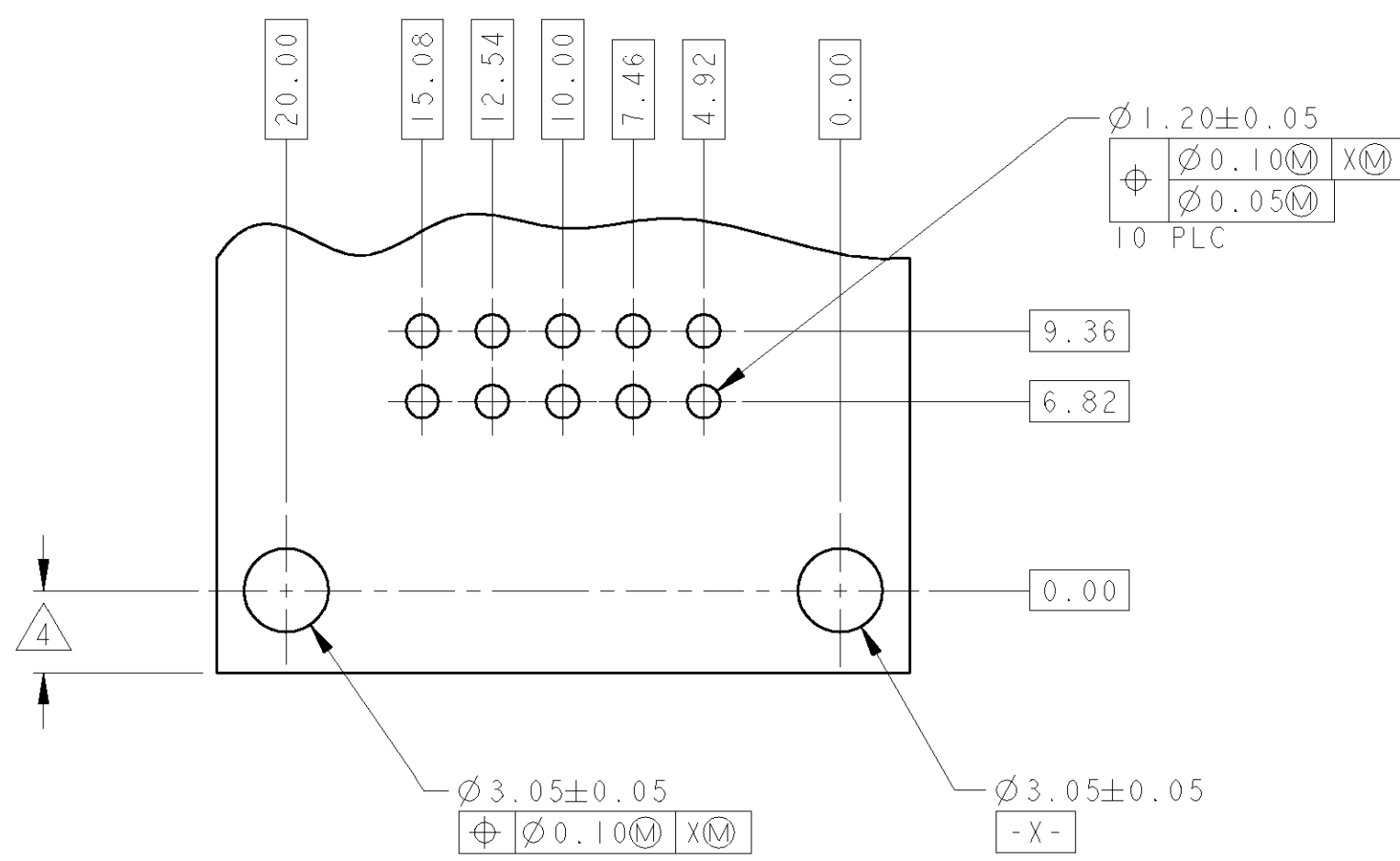


SEE DETAIL A  
 BOARDLOCKS  
 2 PLC

HEADER HOUSING

PIN CONTACTS  
 10 PLC

- 638444-9 SHOWN.
- HEADER HOUSING: NYLON 6T66, 35% GLASS FILLED, 25% MAX REGRIND, COLOR: SEE TABLE. PIN GUIDE: NYLON 6T66, 35% GLASS FILLED, BLACK, 25% MAX REGRIND. PIN CONTACTS & BOARDLOCKS: BRASS.
- PIN CONTACTS: PLATED 0.0008 MIN THICK MATTE TIN IN MATING AREA AND 0.0038 MIN THICK MATTE TIN IN SOLDER TAIL AREA ALL OVER 0.002 MIN NICKEL. BOARDLOCKS: 0.0038 MIN TIN OVER 0.00127 MIN NICKEL.
- CUSTOMER TO DETERMINE DISTANCE TO EDGE OF PC BOARD.
- MARK FOUR DIGIT JULIAN DATE CODE (DDDY), LOCATED IN APPROXIMATE AREA SHOWN.
- THIS PRODUCT HAS A MINIMUM MISMATING FORCE OF 100 NEWTONS.
- CONTACT PRODUCT ENGINEERING FOR PIN GUIDE AVAILABILITY.



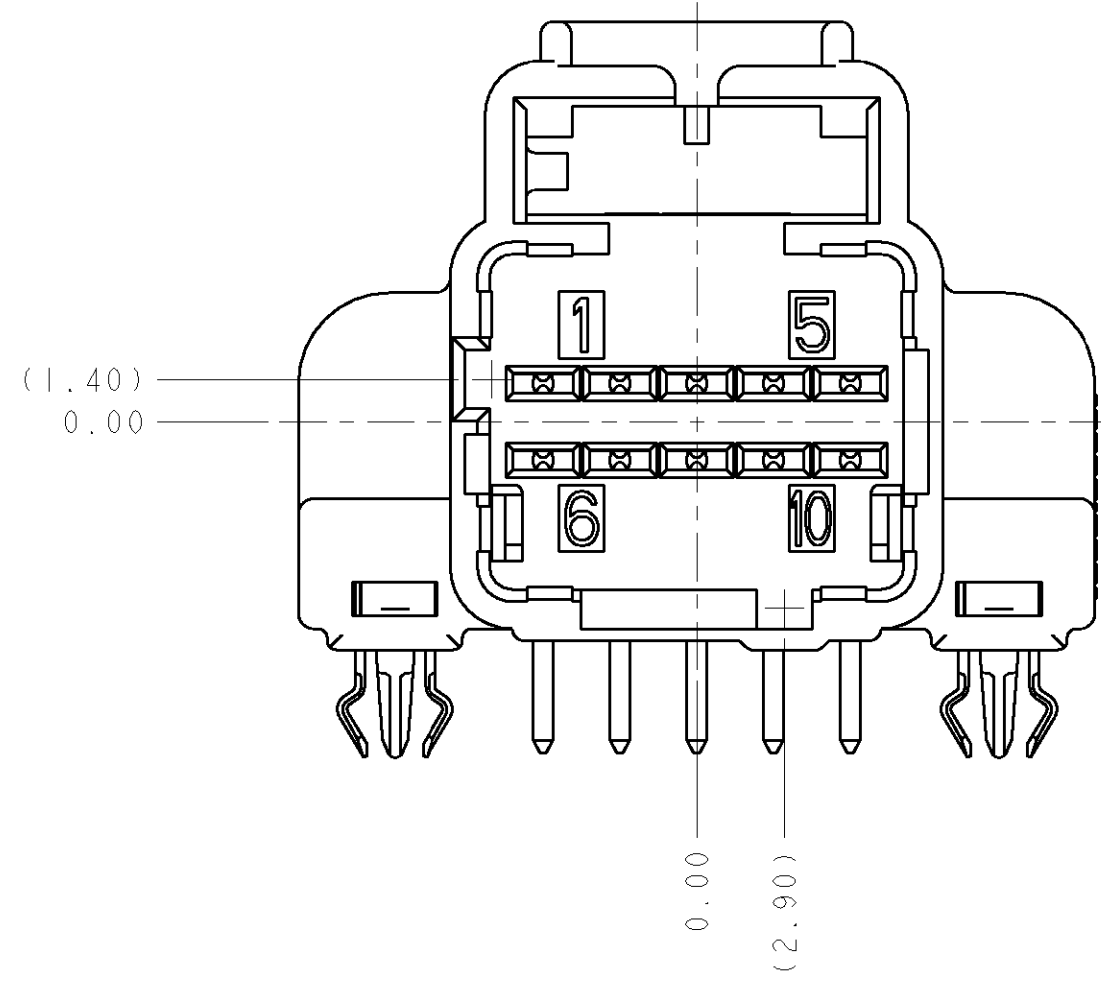
BOARDLOCK QTY	PIN GUIDE QTY	HEADER HOUSING COLOR	KEYING ARRANGEMENT (SEE SHEET 2)	PART NUMBER
2	N/A	BLACK	"A"	638444-9
2	N/A	GREEN	"D"	638444-8
2	N/A	BLUE	"C"	638444-7
2	N/A	YELLOW	"B"	638444-6
SUPERCEDED BY 638444-9				638444-5
NOT RELEASED	-	-	-	638444-4
NOT RELEASED	-	-	-	638444-3
NOT RELEASED	-	-	-	638444-2
NOT RELEASED	-	-	-	638444-1

THIS DRAWING IS A CONTROLLED DOCUMENT FOR TYCO ELECTRONICS CORPORATION. IT IS SUBJECT TO CHANGE AND THE CONTROLLING ENGINEERING ORGANIZATION SHOULD BE CONTACTED FOR THE LATEST REVISION.		DWN 17AUG99 CHK F. KINSEY 02SEP99 APVD J. MYER 02SEP99	<b>AMP</b> Tyco Electronics Harrisburg, PA 17105-3608
DIMENSIONS: mm 	TOLERANCES UNLESS OTHERWISE SPECIFIED: 0 PLC ± 1 PLC ±0.5 2 PLC ±0.30 3 PLC ± 4 PLC ± ANGLES ± FINISH	PRODUCT SPEC SAE/USCAR-2 8/97 APPLICATION SPEC WEIGHT - CUSTOMER DRAWING	NAME: HEADER ASSEMBLY, RIGHT ANGLE, UNSEALED, 10 POSITION 2X5, 0.64mm CONNECTOR SIZE: A2 CAGE CODE: 00779 DRAWING NO: 638444 RESTRICTED TO: - SCALE: 4:1 SHEET 1 OF 2 REV 01

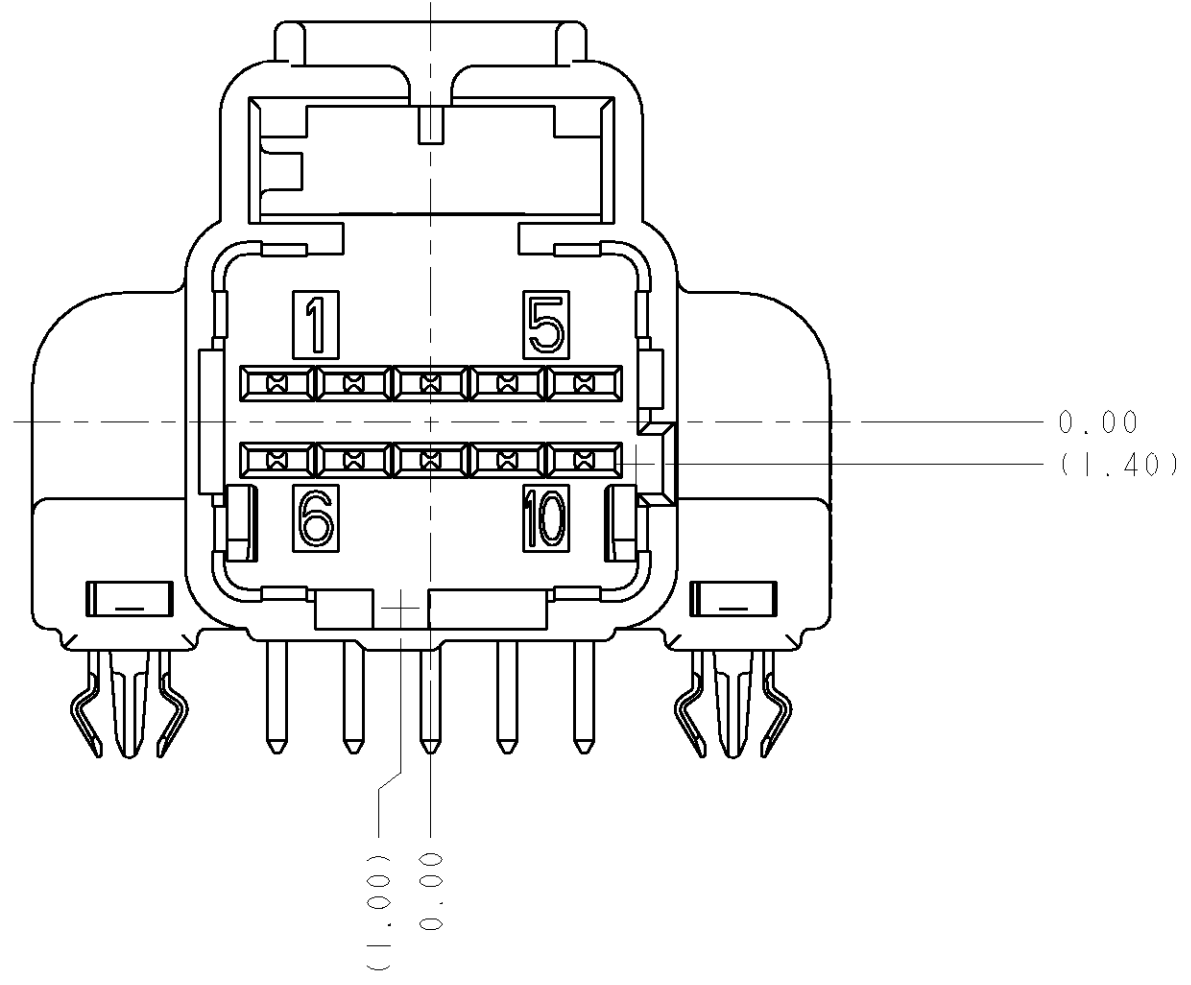
SUGGESTED P.C. BOARD LAYOUT  
 (HEADER SIDE OF BOARD)  
 SCALE 4:1

THIS DRAWING IS UNPUBLISHED. RELEASED FOR PUBLICATION  
 © COPYRIGHT 20 BY TYCO ELECTRONICS CORPORATION. ALL RIGHTS RESERVED.

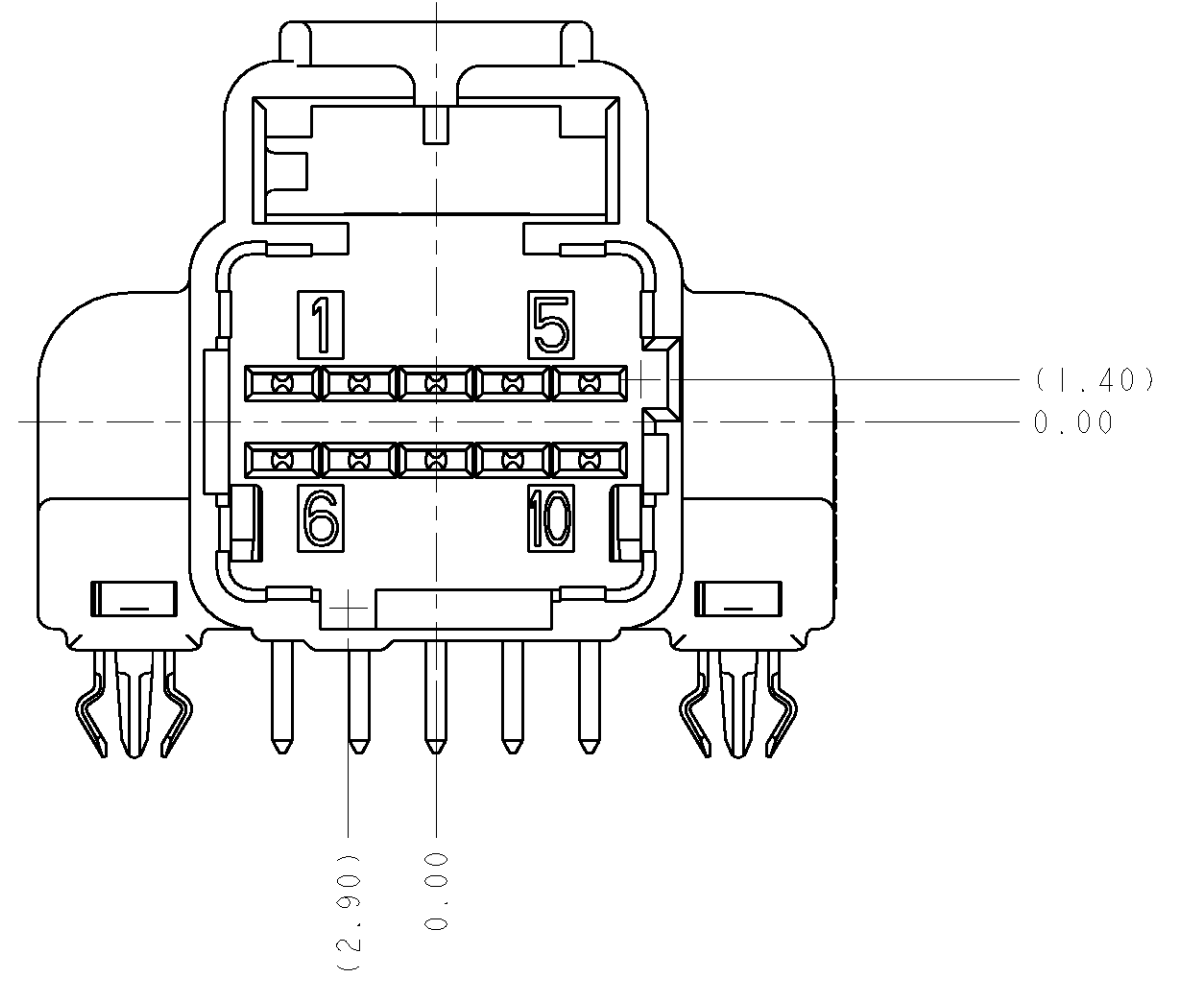
LOC	DIST	REVISIONS					
		P	LTR	DESCRIPTION	DATE	DWN	APVD
FX	00	-		SEE SHEET 1	-	-	-



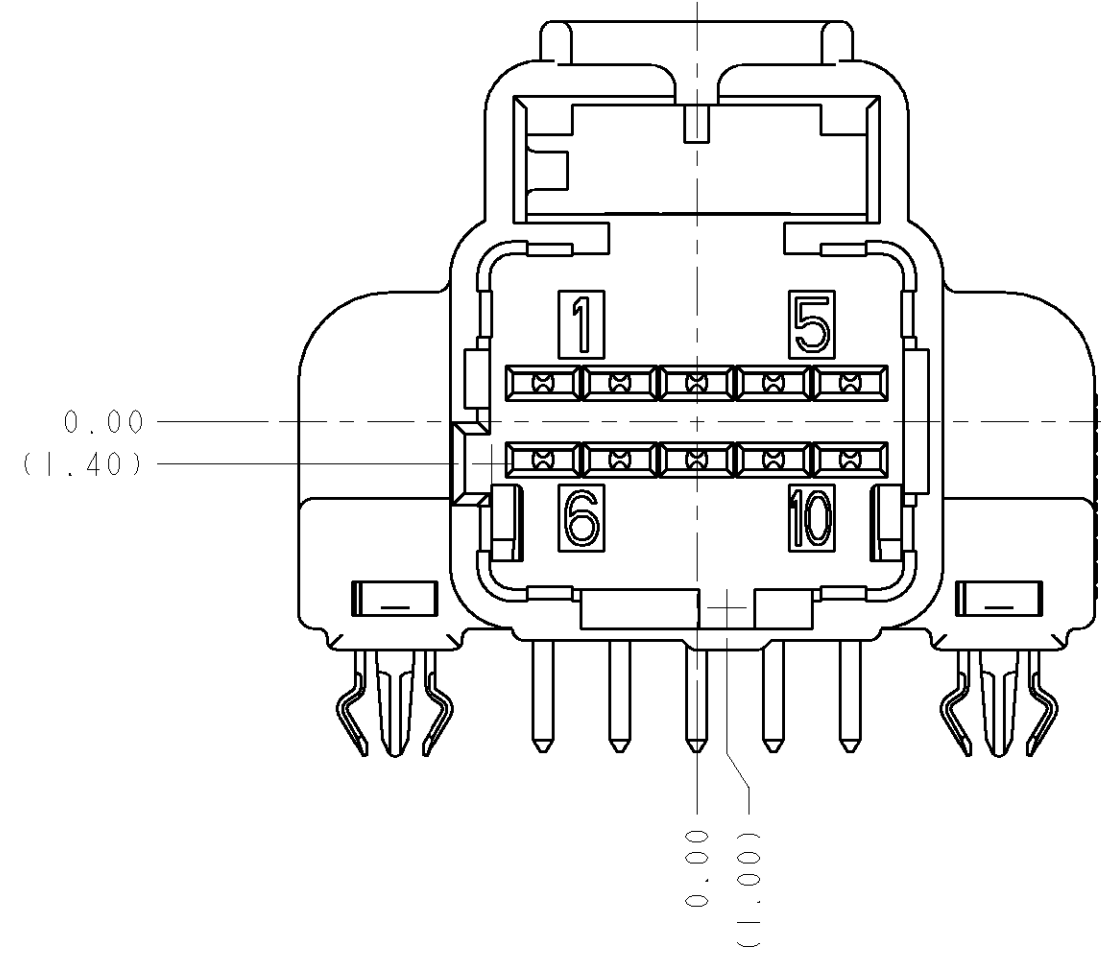
KEY CODE "A"  
 (APPLIES TO -1 AND -5 ONLY)  
 SCALE 4:1



KEY CODE "B"  
 (APPLIES TO -2 AND -6 ONLY)  
 SCALE 4:1



KEY CODE "C"  
 (APPLIES TO -3 AND -7 ONLY)  
 SCALE 4:1



KEY CODE "D"  
 (APPLIES TO -4 AND -8 ONLY)  
 SCALE 4:1

<small>THIS DRAWING IS A CONTROLLED DOCUMENT FOR TYCO ELECTRONICS CORPORATION          IT IS SUBJECT TO CHANGE AND THE CONTROLLING ENGINEERING ORGANIZATION          SHOULD BE CONTACTED FOR THE LATEST REVISION.</small>		DWN 17AUG99 CHK F. KINSEY 02SEP99 APVD J. MYER 02SEP99	<b>AMP</b> Tyco Electronics Harrisburg, PA 17105-3608
DIMENSIONS: mm	TOLERANCES UNLESS OTHERWISE SPECIFIED: 0 PLC ± 1 PLC ±0.5 2 PLC ±0.30 3 PLC ± 4 PLC ± ANGLES ± FINISH -	PRODUCT SPEC - APPLICATION SPEC - WEIGHT -	NAME HEADER ASSEMBLY, RIGHT ANGLE, UNSEALED, 10 POSITION 2X5, 0.64mm CONNECTOR
MATERIAL -	FINISH -	CUSTOMER DRAWING	SIZE A2 CAGE CODE 00779 DRAWING NO. 638444 RESTRICTED TO - SCALE 4:1 SHEET 2 OF 2 REV 01