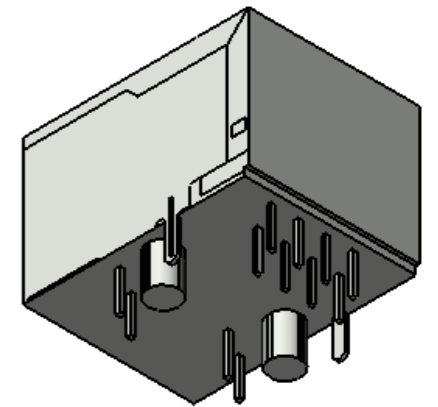
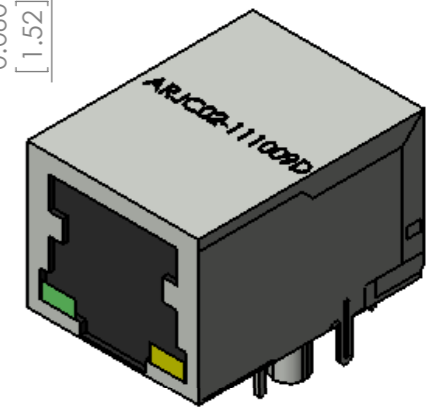
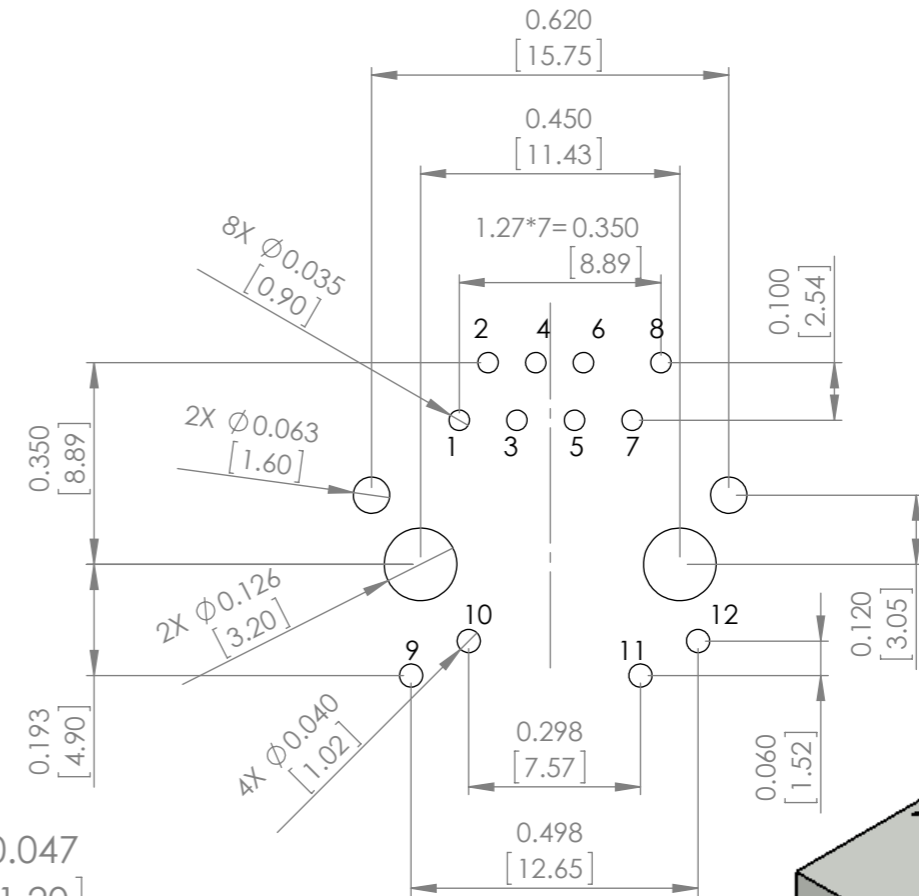



Recommended Land Pattern



TOP PACKAGE MARKING IS FOR ILLUSTRATION PURPOSES ONLY

DO NOT SCALE DRAWING		REVISION -	
 ABRACON LLC <small>The Power of Linking Together</small>			
Apracon LLC, 2 Faraday, Suite#B Irvine, Ca. 92618			
TITLE:		RJ45	
DWG NO.	ARJC02-111009D		A3
SCALE:3:1			SHEET 1 OF 1