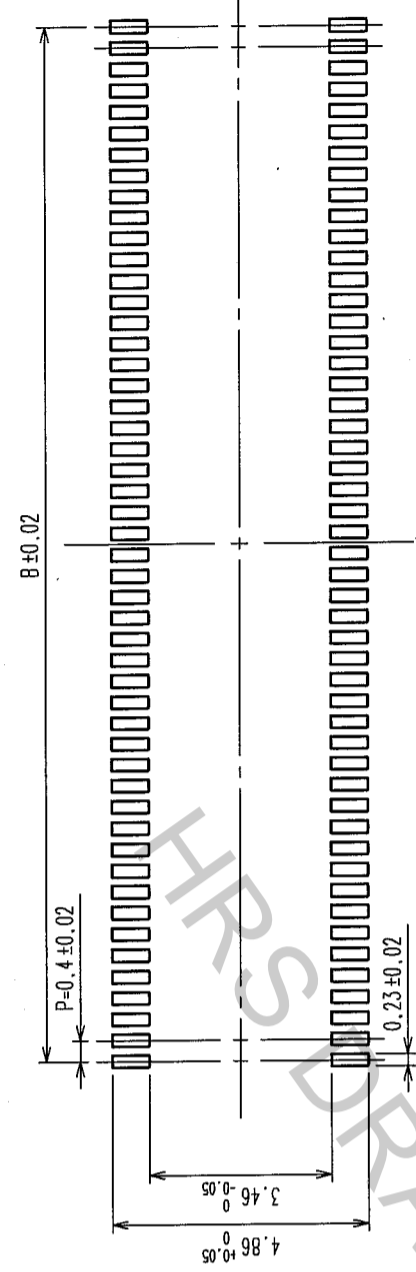
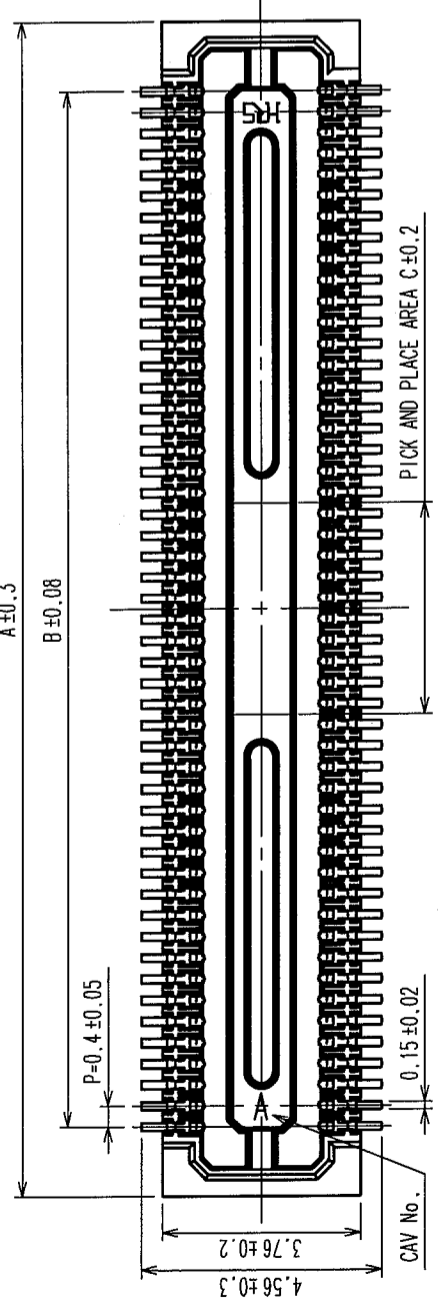
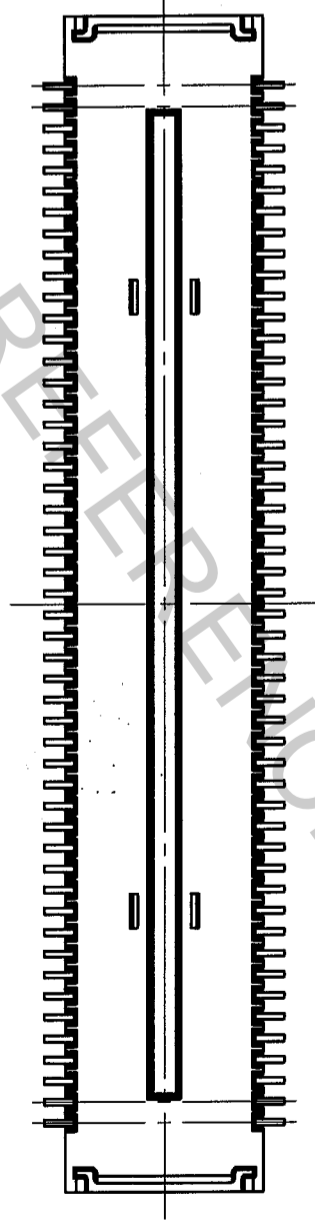
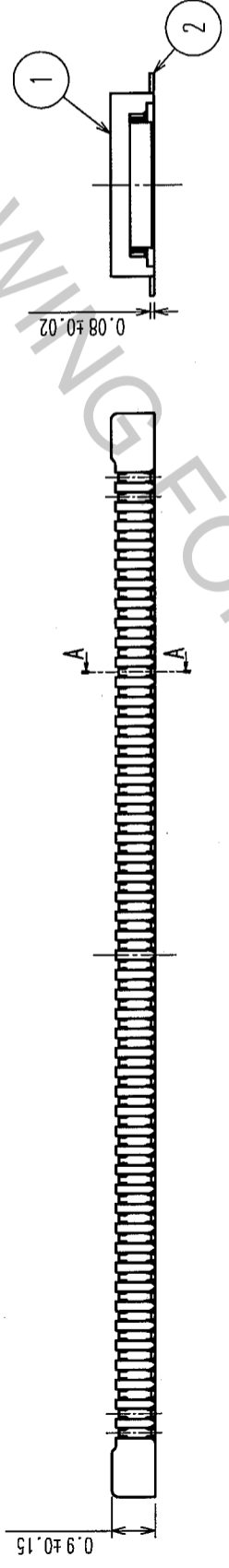


COUNT	DESCRIPTION OF REVISIONS	BY	CHKD	DATE	COUNT	DESCRIPTION OF REVISIONS	BY	CHKD	DATE
△					△				
△					△				
△					△				

RECOMMENDED PATTERN



RECOMMENDED SOLDER PASTE: THICKNESS 120 μm



PART NO.	CODE NO.	A	B	C
DF30FC-80DS-0.4V(82)	CL684-1116-3-82	18.22	15.6	3.2
DF30FC-70DS-0.4V(82)	CL684-1115-0-82	16.22	13.6	2.8
DF30FC-60DS-0.4V(82)	CL684-1082-3-82	14.22	11.6	2.4
DF30FC-50DS-0.4V(82)	CL684-1114-8-82	12.22	9.6	2
DF30FC-40DS-0.4V(82)	CL684-1078-6-82	10.22	7.6	1.6
DF30FC-34DS-0.4V(82)	CL684-1113-5-82	9.02	6.4	1.36
DF30FC-30DS-0.4V(82)	CL684-1112-2-82	8.22	5.6	1.2
DF30FC-24DS-0.4V(82)	CL684-1111-0-82	7.02	4.4	1.2
DF30FC-22DS-0.4V(82)	CL684-1110-7-82	6.62	4.0	1.2
DF30FC-20DS-0.4V(82)	CL684-1109-8-82	6.22	3.6	1.2

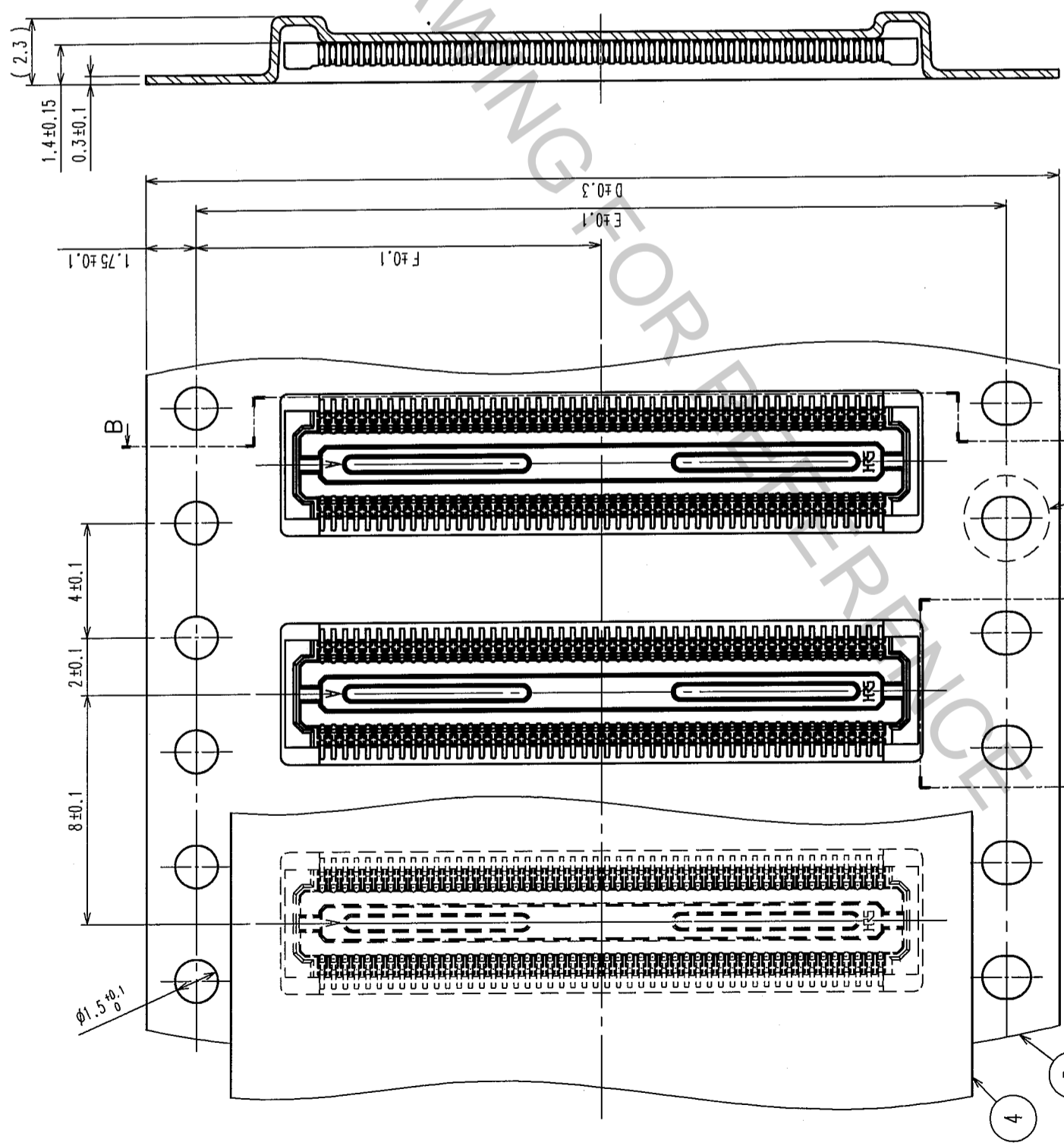
- NOTE 1: ALL LEADS CO-PLANARITY SHALL BE 0.1 MAX.
 2. PER REEL : 1000 CONNECTORS.
 3. AT THE BEGINNING OF THE REEL, 100 MM AT MIN SHALL BE EMPTY POCKETS.
 AT THE END OF THE REEL, 160 MM AT MIN SHALL BE EMPTY POCKETS.
 4 NO CAVITY ON THE CONNECTORS LESS THAN 24 POS.
 5 CONTACT PLATING SPECIFICATIONS.
 CONTACT AREA : GOLD 0.05 μm MIN.
 SMT LEAD : GOLD 0.02 μm MIN.
 UNDERPLATING : NICKEL 1 μm MIN.
 (SURFACE : SEALING)

2	PHOSPHOR BRONZE	5	4	POLYESTER	CLEAR(COVER TAPE)
1	LCP	UL94V-0, BLACK	3	PS	CLEAR(EMBOSSED CARRIER TAPE)
NO.	MATERIAL	FINISH, REMARKS	NO.	MATERIAL	FINISH, REMARKS
CODE NO. (OLD)			DESIGNED	CHECKED	APPROVED
			RELEASED		
SCALE	FREE				
UNITS	mm				
DRAWING NO.	EDC3-303556-05	PART NO.	DF30FC-*DS-0.4V(82)		
DESIGNED	T.NISHI	CHECKED	K. Nishikawa	APPROVED	J. Qoa
DATE	04.08.25	DATE	04.08.25	DATE	04.08.25
CODE NO.		CODE NO.	CL684-***-*-82		
FORM NO.		FORM NO.	NO.229		

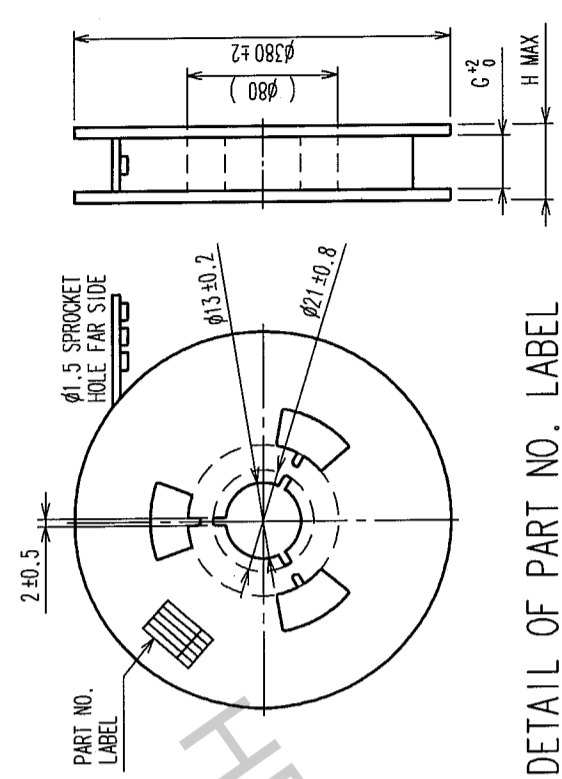
TO

COUNT	DESCRIPTION OF REVISIONS	BY	CHKD	DATE	COUNT	DESCRIPTION OF REVISIONS	BY	CHKD	DATE
△					△				
△					△				
△					△				

B-B



STYLE AND DIMENSION OF REEL (FREE)



DETAIL OF PART NO. LABEL

SUPPLIER	ヒロセ電機 (株)
QUANTITY	1000個
PART NO.	DF30FC-DS-0.4V(82)
CODE NO.	CL684-1113-5-82
DATE OF MANUFACTURE	年月日
生産月日	年月日
国番	CL684-1113-5-82
品名	DF30FC-DS-0.4V(82)
納入数量	1000個
納入者	ヒロセ電機 (株)

PART NO.	D	E	F	G	H	
DF30FC-80DS-0.4V(82)	CL684-1116-3-82	32	28.4	14.2	32.4	38.4
DF30FC-70DS-0.4V(82)	CL684-1115-0-82	24	-	11.5	24.4	30.4
DF30FC-60DS-0.4V(82)	CL684-1082-3-82	24	-	11.5	24.4	30.4
DF30FC-50DS-0.4V(82)	CL684-1114-8-82	24	-	11.5	24.4	30.4
DF30FC-40DS-0.4V(82)	CL684-1078-6-82	24	-	11.5	24.4	30.4
DF30FC-34DS-0.4V(82)	CL684-1113-5-82	16	-	7.5	16.4	22.4
DF30FC-30DS-0.4V(82)	CL684-1112-2-82	16	-	7.5	16.4	22.4
DF30FC-24DS-0.4V(82)	CL684-1111-0-82	16	-	7.5	16.4	22.4
DF30FC-22DS-0.4V(82)	CL684-1110-7-82	16	-	7.5	16.4	22.4
DF30FC-20DS-0.4V(82)	CL684-1109-8-82	16	-	7.5	16.4	22.4

CODE NO. (OLD)

DESIGNED

CHECKED

APPROVED

RELEASED

SCALE
5 : 1
UNITS
mm

DRAWN
T. NISHI
040825

DESIGNED
K. Nishida
04-08-25

APPROVED
J. Oka
14-08-25

RELEASED

DRAWING NO.
EDC3-303556-05

PART NO.
DF30FC-DS-0.4V(82)

CODE NO.
CL684-1113-5-82

2

HIROSE ELECTRIC CO., LTD

FORM NO. 229

8

NC