

# Skywire 3G HSPA+ Embedded Cellular Modem

Add robust cellular connectivity to your M2M devices without the cost, delay, and hassle of federal and carrier certifications. Extensive experience in designing and building embedded product solutions makes the NimbeLink Skywire™ embedded cellular modem the smallest on the market. Its U.FL port ensures antenna flexibility. It complies with the popular XBEE interface standard and supports HSPA+ communication, minimizing costs of hardware and network access.

The NimbeLink Skywire™ cellular modem is available with bundled data plans from leading cellular carriers. This product supports HSPA+ and includes a Micro-SIM card slot that can accommodate Micro-SIM formfactor SIM cards from any carrier. Other footprint compatible products support 1xRTT, EVDO and LTE, and like our other products will let you quickly, easily, and economically incorporate fully-compliant cellular connectivity into devices without having to apply for certification.

Take the complexity out of designing cellular M2M solutions.

NimbeLink.™  
Smart. Simple. Cellular.

## Features:

- Industry smallest
- 2 U.FL port for antenna diversity
- 1 U.FL for GPS & GLONASS
- XBEE Form Factor

## Advantages:

- FCC & Verizon OD Certified
- Supports GPS & GLONASS
- Migration path to 1xRTT, GSM & LTE
- Bundled data plans available

### Product/Solution Brief

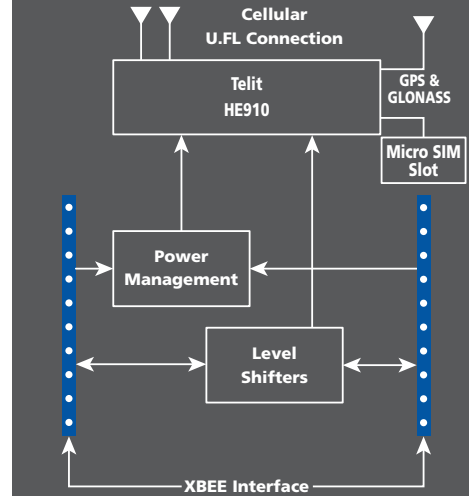


Part Numbers	Description
NL-SW-HSPAP	Skywire Cellular Modem, HSPA+
NL-SW-HSPAPG	Skywire Cellular Modem, HSPA+, GPS
NL-SW-HSPAPE	Skywire Cellular Modem, HSPA+, European Version

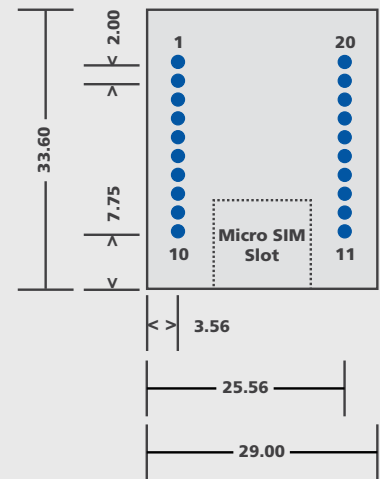
## Technical Specifications

<b>Power</b> Active call	580mA
Normal	12.2mA
Power saving	1.2mA
Input voltage	3.5V - 4.3V
I / O voltage	1.65V - 5.5V
Temperature range	-40C to +85C
Dimensions	29mm x 33mm x 6.5mm

## Block Diagram



## Mechanical Drawing



## Contact a NimbeLink Sales Professional

612-285-3433

## Email Us

Sales@NimbeLink.com

## Online

www.NimbeLink.com

