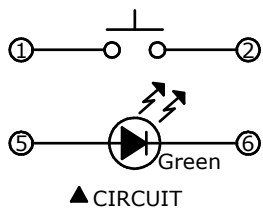
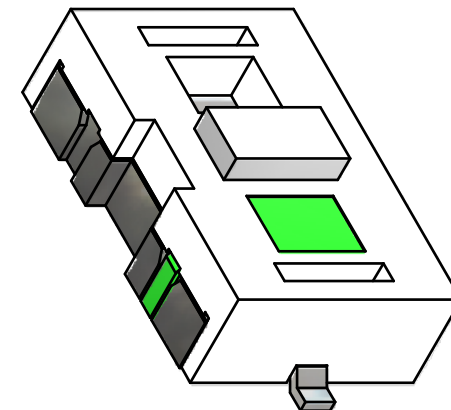
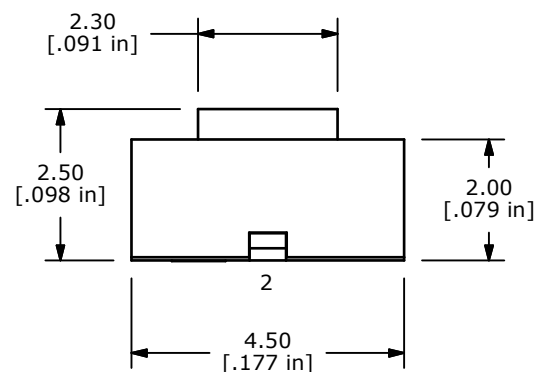
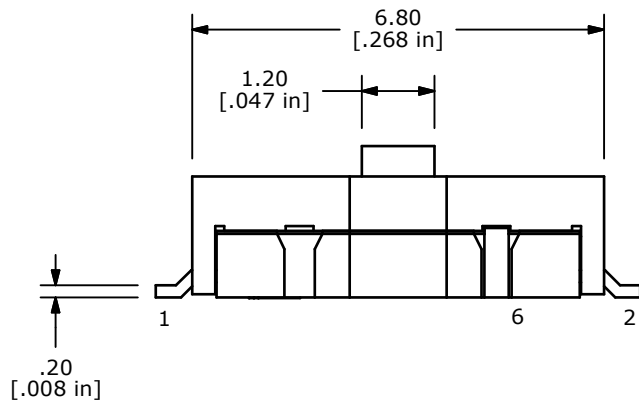
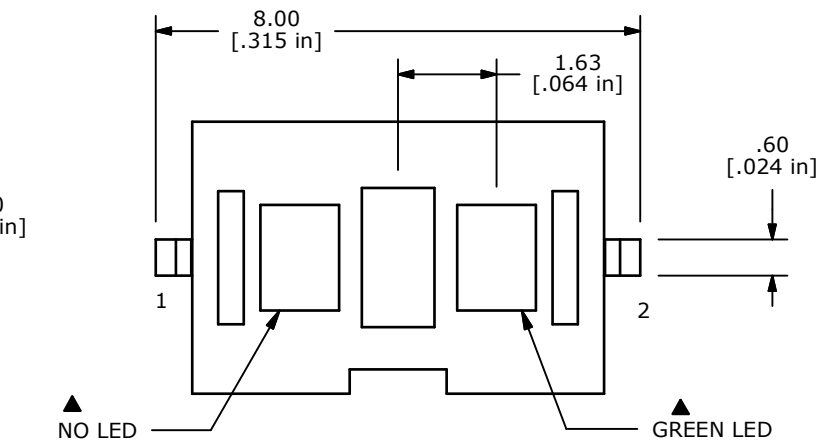


PC MOUNTING

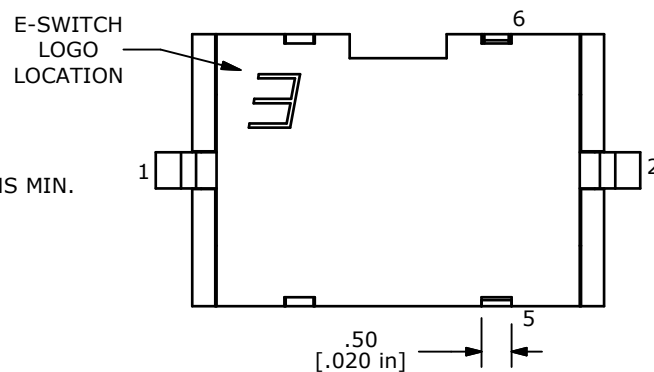


CIRCUIT



NOTES:

1. ALL DIMENSIONS IN MM [INCH]
2. GENERAL TOLERANCE: X.X=± 0.4
X.XX=± 0.25
3. RATING: 12VDC, 50mA MAX.
4. CONTACT RESISTANCE: 500 Milli OHMS MAX.
5. INSULATION RESISTANCE: 100VDC, 100 Mega OHMS MIN.
6. TRAVEL: 0.25 mm
- ▲ 7. OPERATING FORCE: 160 +75/-30gf
8. OPERATING TEMPERATURE: -20°C TO 70°C
9. OPERATING LIFE: 30,000 CYCLES MIN.
10. PACKAGING: TAPE & REEL, 3000 PIECES PER REEL
11. ▲ DENOTES CRITICAL PARAMETER
12. 2002/95/EC (ROHS) COMPLIANT



LED Specifications	Units	Green
Forward Current	mA	30
Forward Voltage	V	1.7-2.6
Luminous Intensity @20mA	mcd	6



TITLE TL3200AF160NGQ

A	19219	RELEASED FOR PRODUCTION	7/26/10	BLR
REV	PCR NO	DESCRIPTION	DATE	BY

SCALE	DATE	DR	DWG	REV
8:1	7/26/2010	BLR	B200111	A

THE INFORMATION CONTAINED IN THIS DOCUMENT IS PROPRIETARY TO E-SWITCH AND IS NOT TO BE COPIED OR TRANSFERRED