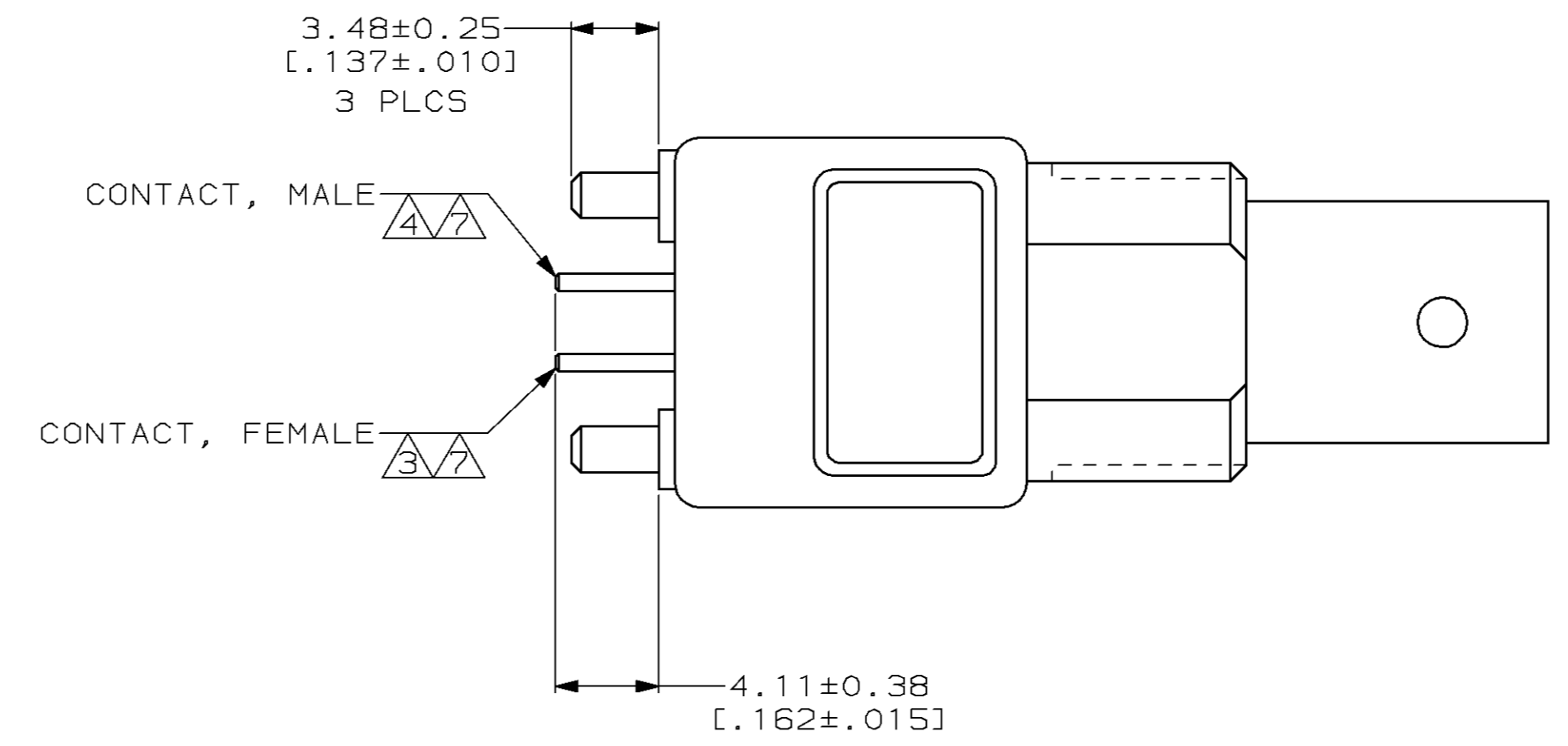
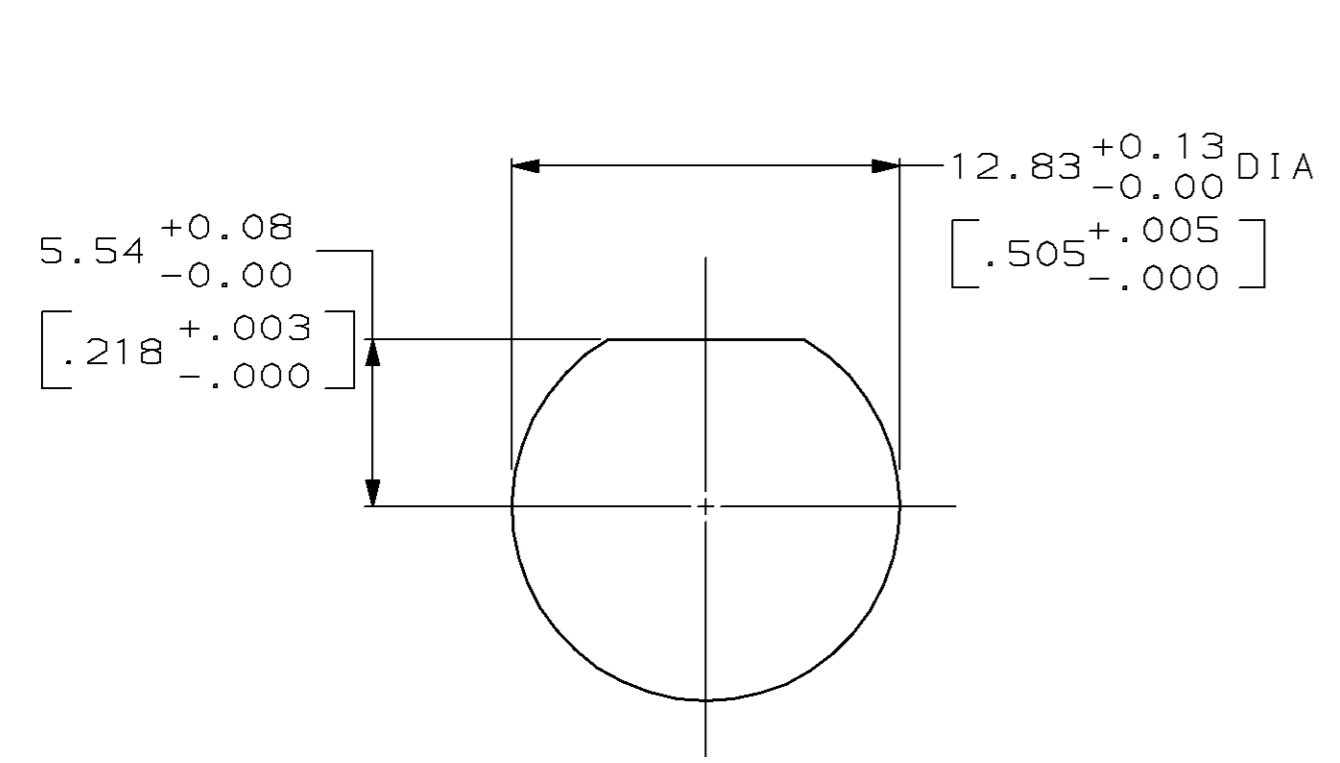
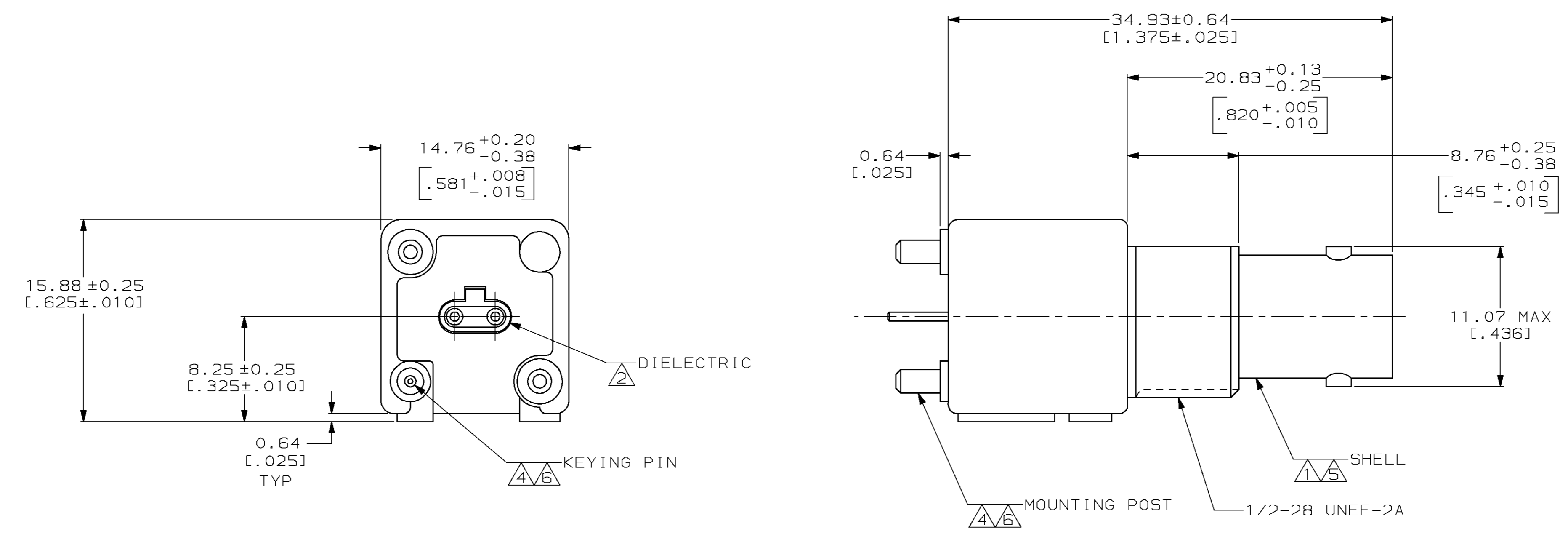


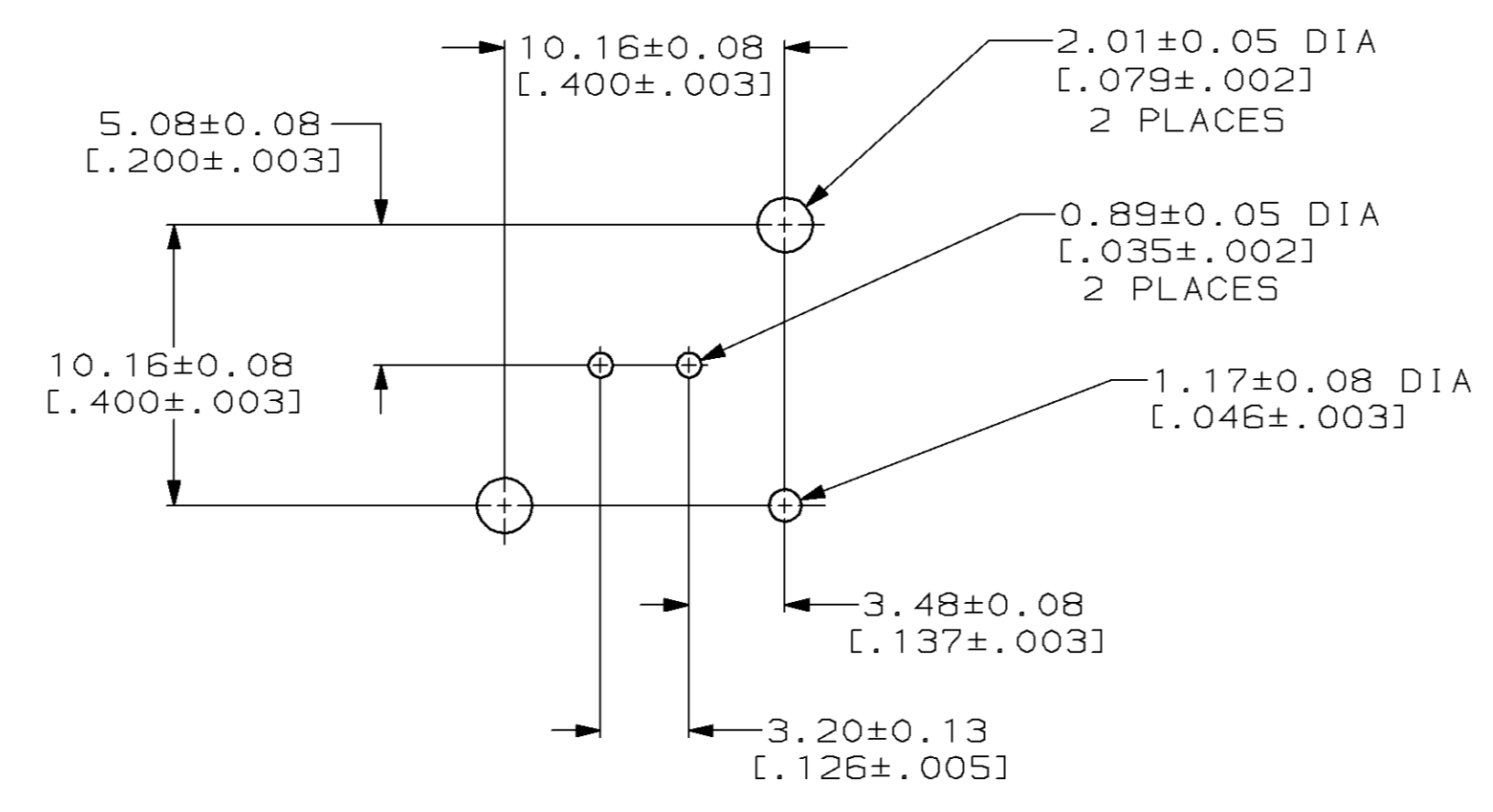
LOC		DIST		REV		REVISIONS		
ZONE	LTR	NO	DATE	APPD	DESCRIPTION	DATE	APPD	
AJ	16	P	F					
A					REV PER 0630-0261-98	08JUL98	MO	



- 1 ZINC PER QQ-Z-363.
- 2 POLYMETHYLPENTENE, GENERAL PURPOSE.
- 3 PHOSPHOR BRONZE PER QQ-B-750.
- 4 BRASS PER ASTM-B-16.
- 5 NICKEL PLATE PER QQ-N-290,
3.81 μm [.000150] MINIMUM THICK.
- 6 TIN-LEAD PLATE PER MIL-P-81728,
3.81 μm [.000150] MINIMUM THICK.
- 7 GOLD PLATE PER MIL-G-45204,
0.76 μm [.000030] MINIMUM THICK.



RECOMMENDED PANEL CUTOUT



PCB CONFIGURATION

415832-1
PART NUMBER

DO NOT SCALE PRINT. UNLESS SPECIFIED DIMENSIONS IN mm [INCHES] TOLERANCES ON: 2 PLC DEC ± 0.20 [.008] 3 PLC DEC ± - ANGLES ± -		DR 3-18-98 J. LIPPERT	AMP Incorporated Harrisburg, PA 17105-3608		
CHK 3-18-98 J. LIPPERT	APPD 3-18-98 J. LIPPERT	APPD 3-18-98 J. LIPPERT	NAME JACK, VERTICAL, PCB, TWIN BNC		
SEE NOTES 1 THRU 4	PRODUCT SPEC	PART NO			
FINISH SEE NOTES 5 THRU 7	APPLICATION SPEC	SIZE D	CAGE CODE 00779	DRAWING NO 415832	
	WEIGHT	SCALE 4:1	SHEET 1 OF 1	CUSTOMER DRAWING	