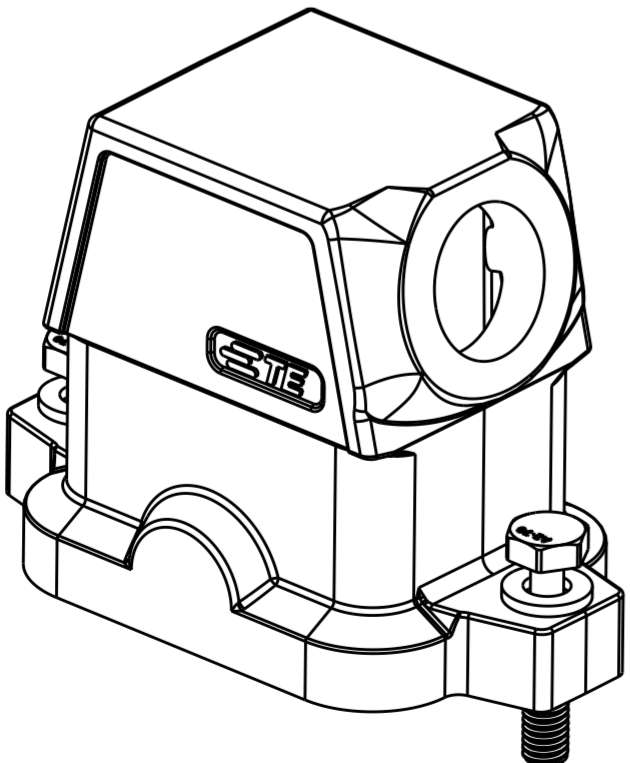
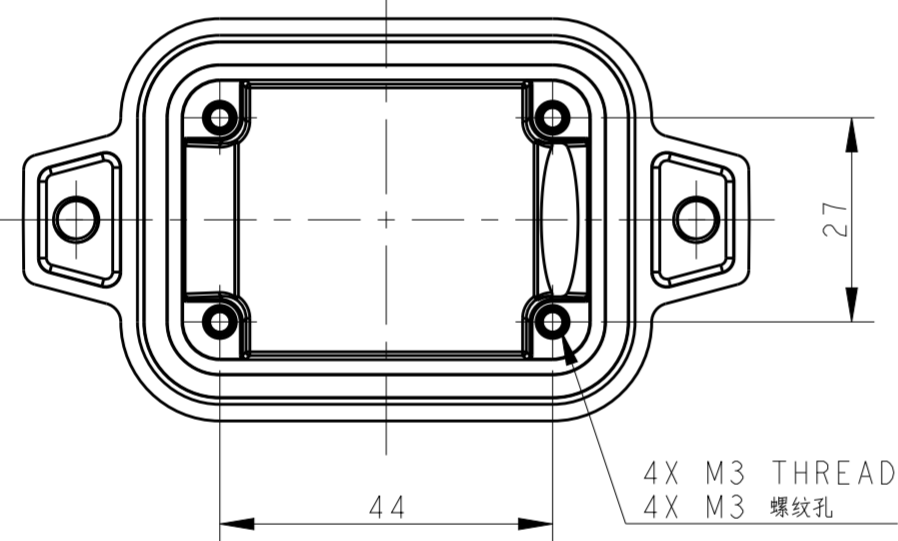
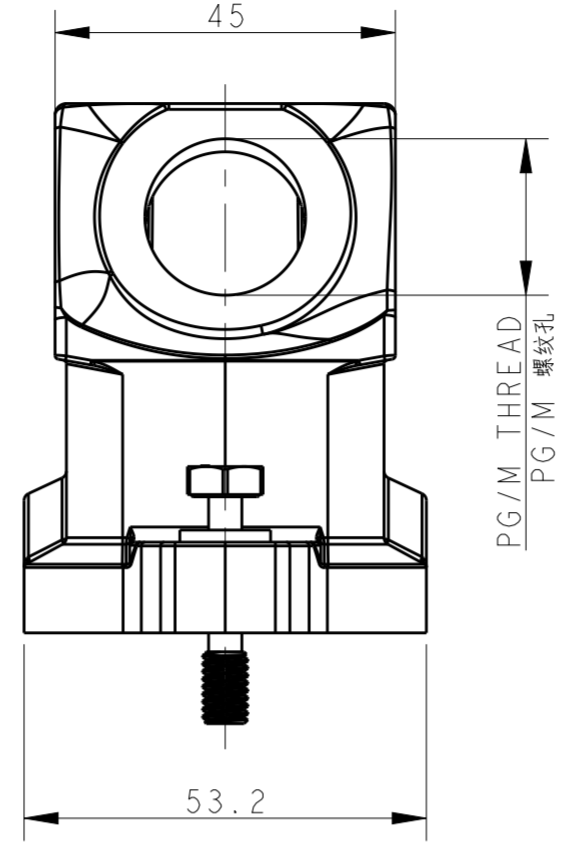
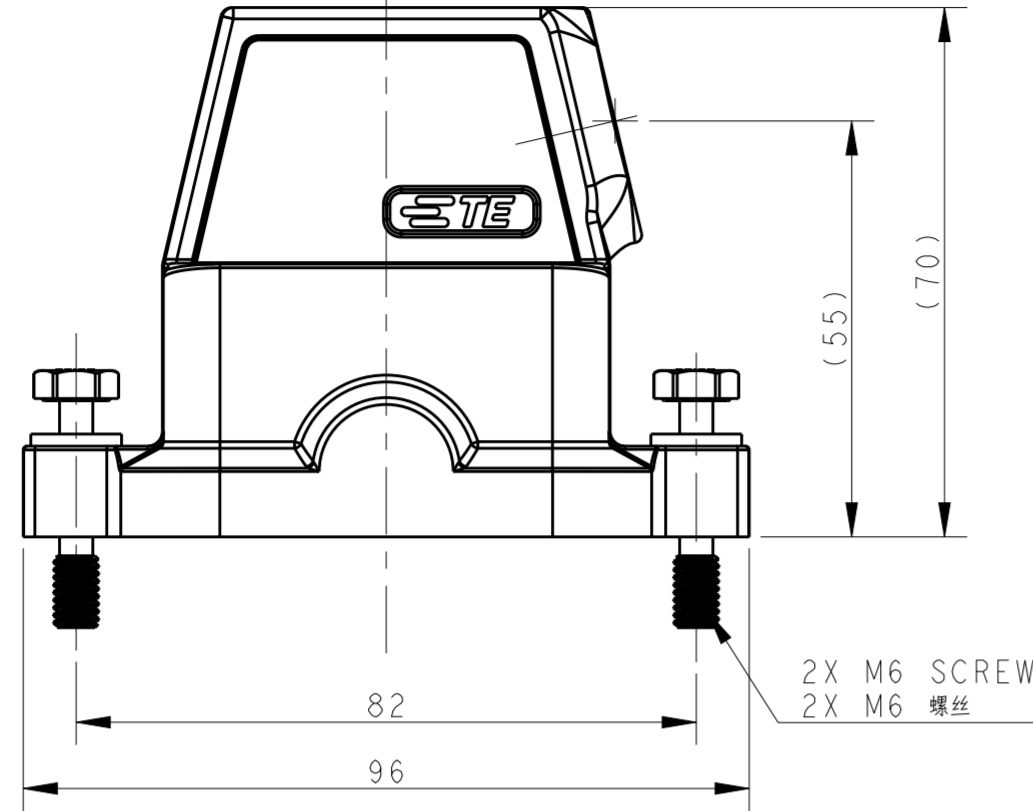


THIS DRAWING IS UNPUBLISHED. RELEASED FOR PUBLICATION 20
 © COPYRIGHT 20 BY - ALL RIGHTS RESERVED.

REVISIONS				
P	LTR	DESCRIPTION	DATE	APVD
	A	INITIAL RELEASE	18OCT2016	DW CW



NOTES:
 1. TECHNICAL CHARACTERISTICS:
 HOOD MATERIAL: DIE CAST ALUMINIUM ALLOY
 SURFACE: SEE TABLE
 DEGREE OF PROTECTION: IP68 (MATED)

注释
 1. 技术参数:
 壳体材料: 铝合金
 表面处理: 见表格
 防护等级: IP68 (配合)

T1912062125-009	H6BPR-TSHC-M25-EMC-C	H6BPR HOOD,CENTER LOCKING,SIDE ENTRY M25,POWDER COATED,GREY H6BPR中部锁定侧出上壳M25 灰色	M25
T1912062121-009	H6BPR-TSHC-PG21-EMC-C	H6BPR HOOD,CENTER LOCKING,SIDE ENTRY PG21,POWDER COATED,GREY H6BPR中部锁定侧出上壳PG21 灰色	PG21
T1912062120-009	H6BPR-TSHC-M20-EMC-C	H6BPR HOOD,CENTER LOCKING,SIDE ENTRY M20,POWDER COATED,GREY H6BPR中部锁定侧出上壳M20 灰色	M20
T1912062116-009	H6BPR-TSHC-PG16-EMC-C	H6BPR HOOD,CENTER LOCKING,SIDE ENTRY PG16,POWDER COATED,GREY H6BPR中部锁定侧出上壳PG16 灰色	PG16
T1912061125-009	H6BPR-TSHC-M25-EMC-C	H6BPR HOOD,CENTER LOCKING,SIDE ENTRY M25,POWDER COATED,SILVER WHITE H6BPR中部锁定侧出上壳M25 银白色	M25
T1912061121-009	H6BPR-TSHC-PG21-EMC-C	H6BPR HOOD,CENTER LOCKING,SIDE ENTRY PG21,POWDER COATED,SILVER WHITE H6BPR中部锁定侧出上壳PG21 银白色	PG21
T1912061120-009	H6BPR-TSHC-M20-EMC-C	H6BPR HOOD,CENTER LOCKING,SIDE ENTRY M20,POWDER COATED,SILVER WHITE H6BPR中部锁定侧出上壳M20 银白色	M20
T1912061116-009	H6BPR-TSHC-PG16-EMC-C	H6BPR HOOD,CENTER LOCKING,SIDE ENTRY PG16,POWDER COATED,SILVER WHITE H6BPR中部锁定侧出上壳PG16 银白色	PG16
T1912060125-009	H6BPR-TSHC-M25-EMC-C	H6BPR HOOD,CENTER LOCKING,SIDE ENTRY M25,POWDER COATED,BLACK H6BPR中部锁定侧出上壳M25 黑色	M25
T1912060121-009	H6BPR-TSHC-PG21-EMC-C	H6BPR HOOD,CENTER LOCKING,SIDE ENTRY PG21,POWDER COATED,BLACK H6BPR中部锁定侧出上壳PG21 黑色	PG21
T1912060120-009	H6BPR-TSHC-M20-EMC-C	H6BPR HOOD,CENTER LOCKING,SIDE ENTRY M20,POWDER COATED,BLACK H6BPR中部锁定侧出上壳M20 黑色	M20
T1912060116-009	H6BPR-TSHC-PG16-EMC-C	H6BPR HOOD,CENTER LOCKING,SIDE ENTRY PG16,POWDER COATED,BLACK H6BPR中部锁定侧出上壳PG16 黑色	PG16
PART NUMBER 料号	DESCRIPTION 描述		PG/M THREAD PG/M 螺纹

THIS DRAWING IS A CONTROLLED DOCUMENT.		DWN DAVID WANG 18OCT2016	TE Connectivity			
		CHK CHRIS WANG 18OCT2016				
		APVD XIANG XU 18OCT2016				
		NAME H6BPR-TSHC-PG/M-EMC-C				
DIMENSIONS: mm		PRODUCT SPEC 108-137191	SIZE A2	CAGE CODE -	DRAWING NO. C-T191206XXXX009	RESTRICTED TO -
TOLERANCES UNLESS OTHERWISE SPECIFIED:		APPLICATION SPEC 114-137191	SCALE 1:1	SHEET 1	OF 1	REV A
MATERIAL -		WEIGHT -	Customer Drawing			