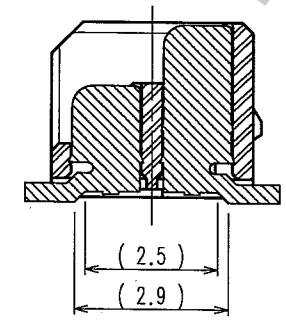
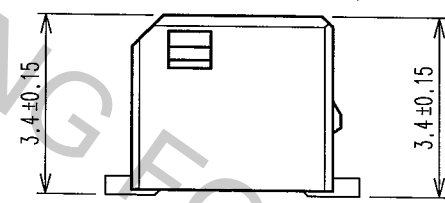
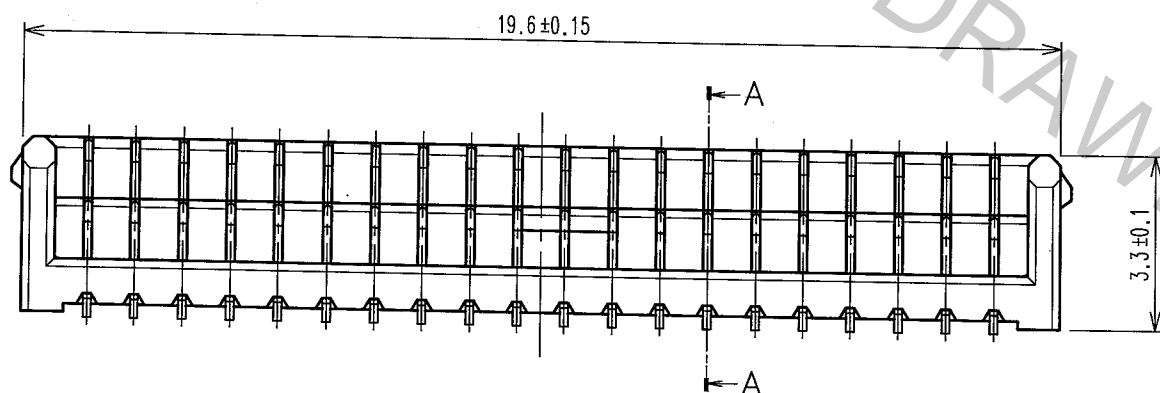
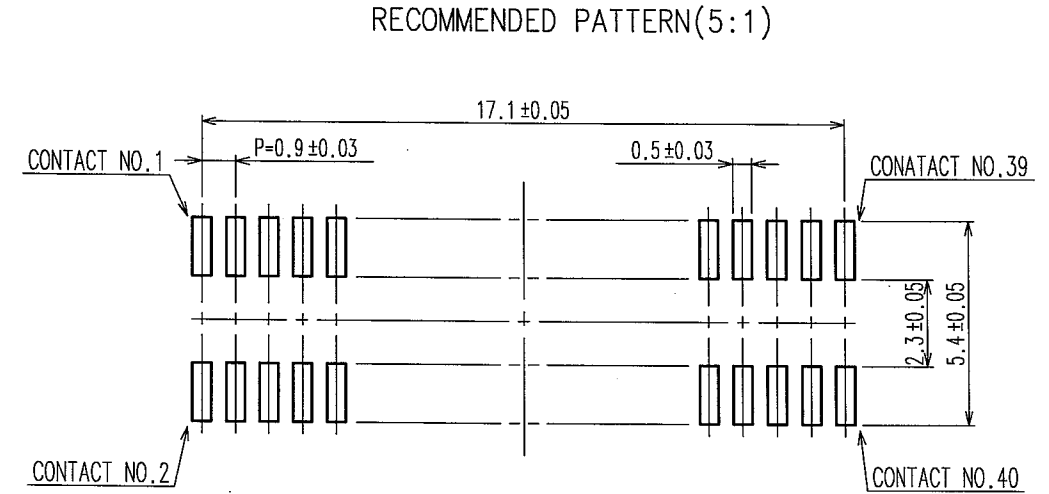
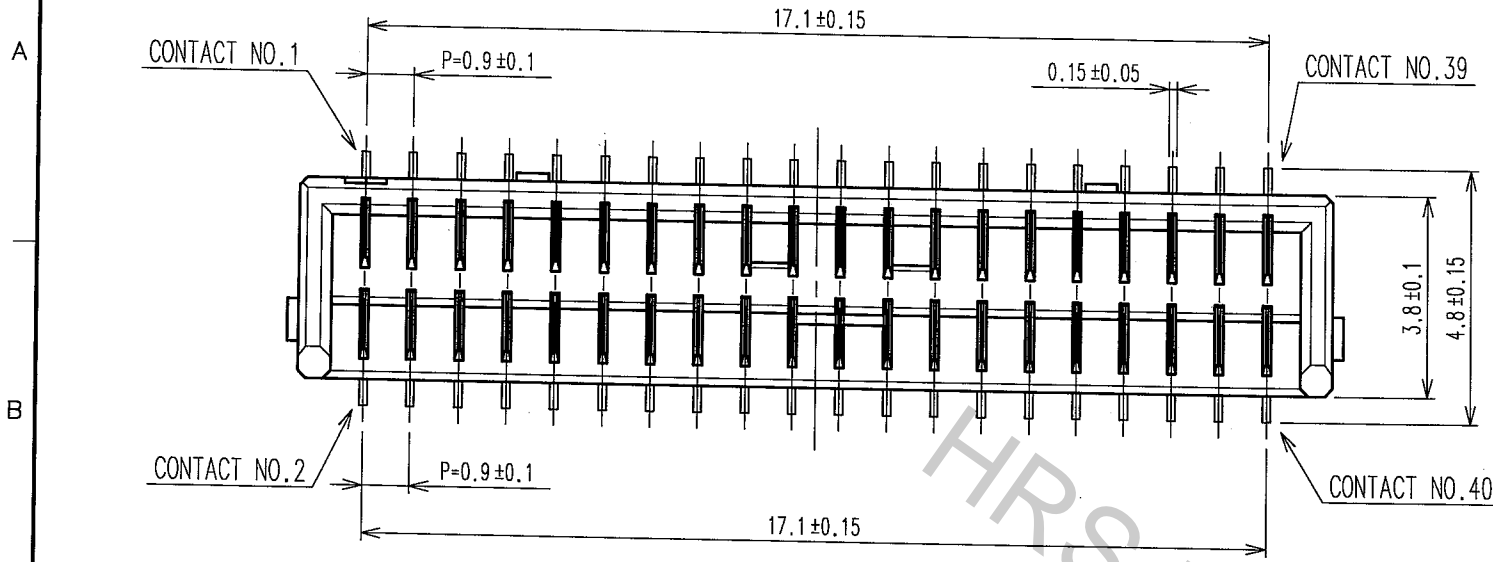
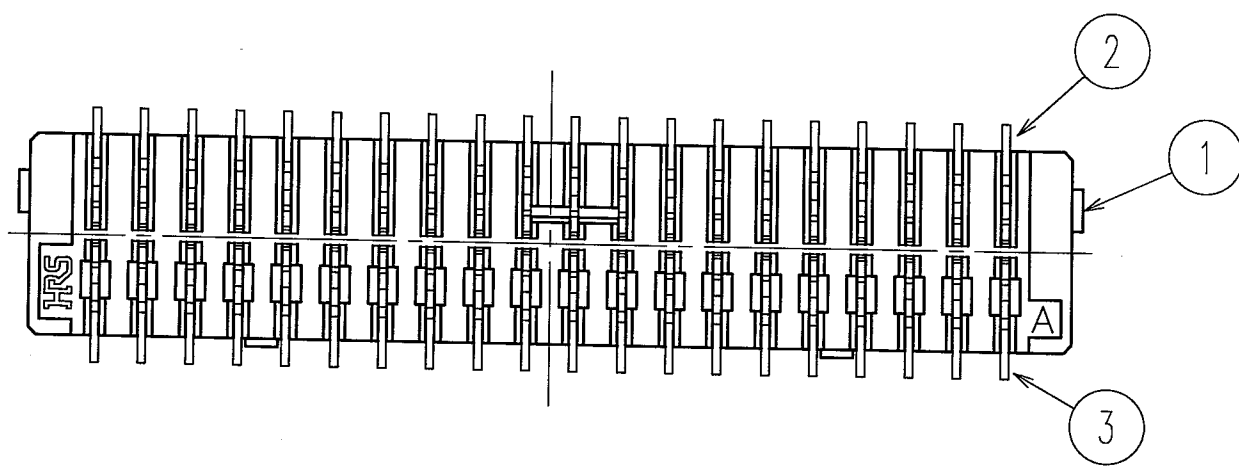


Apr.1.2017 Copyright 2017 HIROSE ELECTRIC CO., LTD. All Rights Reserved.

COUNT	DESCRIPTION OF REVISIONS	BY	CHKD	DATE	COUNT	DESCRIPTION OF REVISIONS	BY	CHKD	DATE
△				..	△				..
△				..	△				..
△				..	△				..



NOTE 1 : LEAD CO-PLANARITY SHALL BE 0.1mm MAX.  
 2 : ( ) SIZE BE A REFERENCE SIZE.  
 3 : CONTACT PLATING SPECIFICATION  
 CONTACT AREA : GOLD PLATED 0.1μ m min.  
 LEAD AREA : GOLD FLASH PLATED.  
 UNDER PLATING : NICKEL PLATED 1.5μ m min.  
 4 : PACKING SPECIFICATION IS SHOWN IN 2 PAGES.



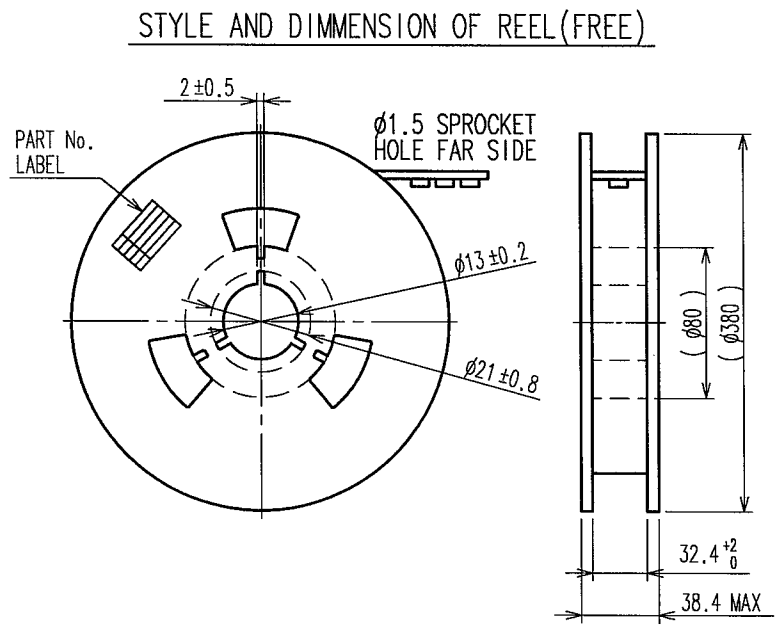
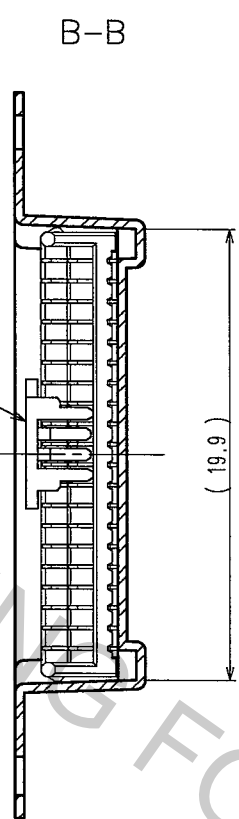
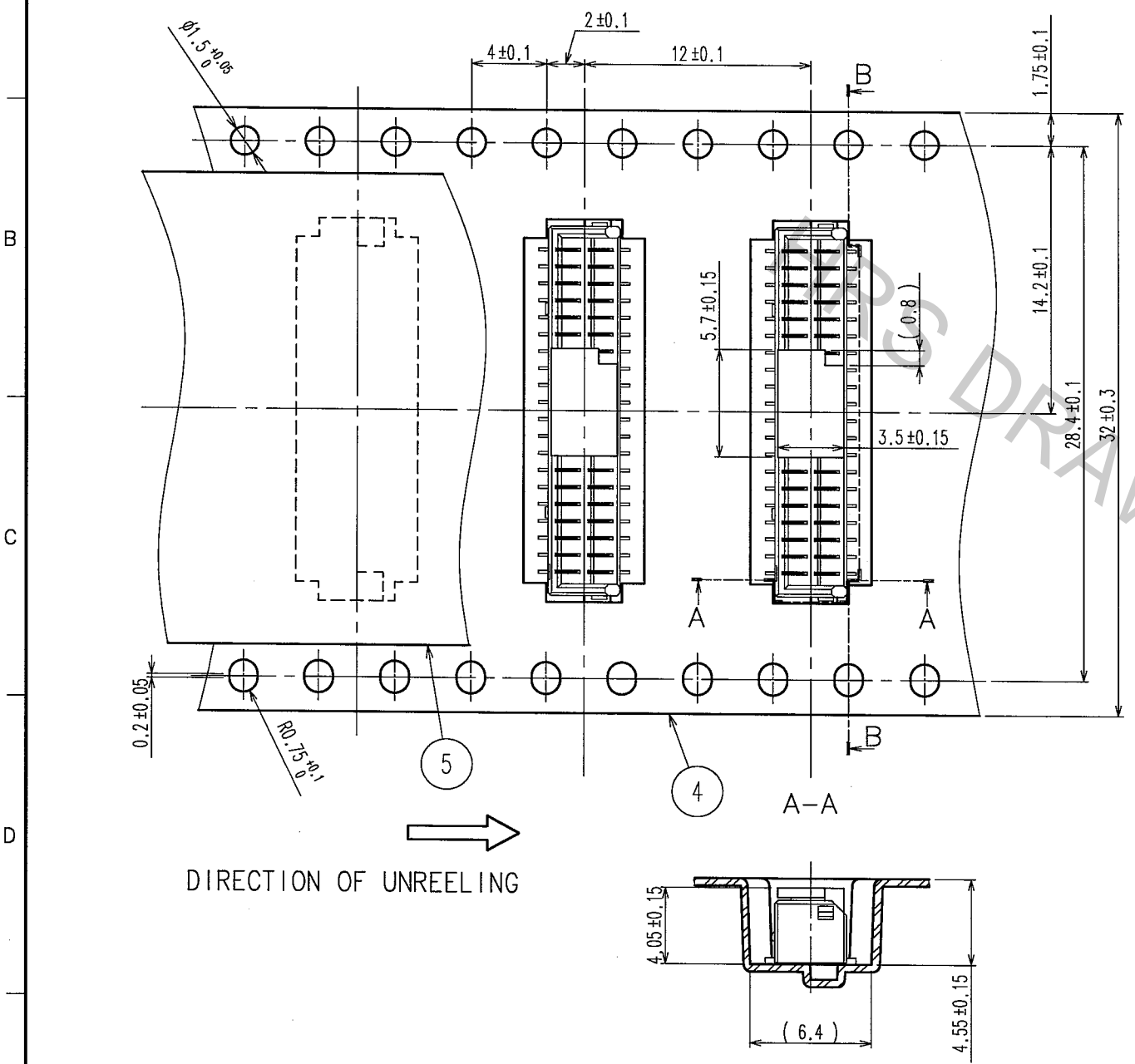
3	PHOSPHOR BRONZE	3	6	POLYAMIDE	UL94V-0, BLACK
2			5	POLYESTER	COVER TAPE
1	POLYAMIDE	UL94V-0, BLACK	4	PS	EMBOSSED CARRIER TAPE
NO.	MATERIAL	FINISH, REMARKS	NO.	MATERIAL	FINISH, REMARKS

CODE NO. (OLD)		DRAWN	DESIGNED	CHECKED	APPROVED	RELEASED
		F.Matsuki	T.Kumazawa	H. Umehara	J. Ona	
		'05.08.31	'05.08.31	'05-09-01	'05-09-01	
DRAWING NO. EDC3-301586-01			PART NO. DF24A-40DP-0.9V(51)			
SCALE FR:EE			CODE NO. CL687-3208-0-51			
UNITS mm			HRS HIROSE ELECTRIC CO., LTD			

TO

Apr.1.2017 Copyright 2017 HIROSE ELECTRIC CO., LTD. All Rights Reserved.

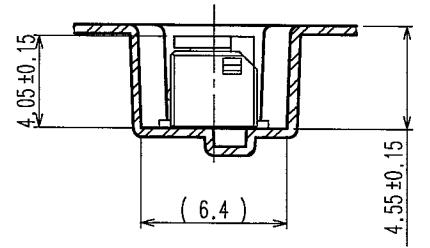
5				6				7				8			
COUNT	DESCRIPTION OF REVISIONS	BY	CHKD	DATE	COUNT	DESCRIPTION OF REVISIONS	BY	CHKD	DATE	COUNT	DESCRIPTION OF REVISIONS	BY	CHKD	DATE	



DETAIL OF PART No. LABEL

DATE OF MANUFACTURED	** ** *
CODE NO.	CL687-3208-0-51
PART NO.	DF24A-40DP-0.9V(51)
QUANTITY	1000 PCS
SUPPLIER	HIROSE ELECTRIC CO.,LTD.

DIRECTION OF UNREELING →



NOTES 5 : 1000 PIECES PER REEL.  
 6 : AT THE BEGINNING OF THE REEL, 100mm MAX SHALL BE EMPTY.  
 AT THE END OF THE REEL, 160mm MAX SHALL BE EMPTY.

TO

CODE NO. (OLD)	DRAWN	DESIGNED	CHECKED	APPROVED	RELEASED
	F.Matsuki	T.Kumagawa	H.Umehara	J. Ono	
	'05.08.31	'05.08.31	'05.09.01	'05.09.01	
SCALE	DRAWING NO.		PART NO.		
FR:EE	EDC3-301586-01		DF24A-40DP-0.9V(51)		
UNITS	HIROSE ELECTRIC CO., LTD		CODE NO.		
mm	HRS		CL687-3208-0-51		2