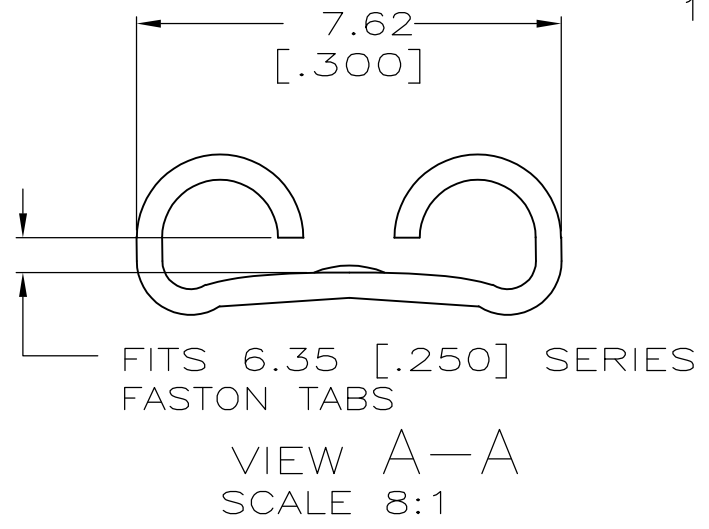
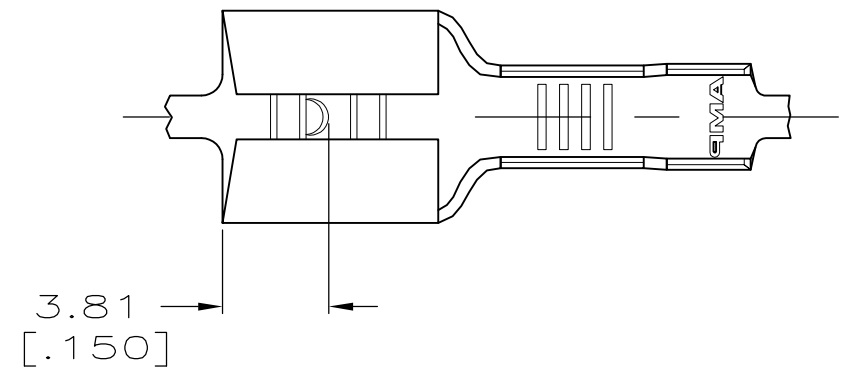
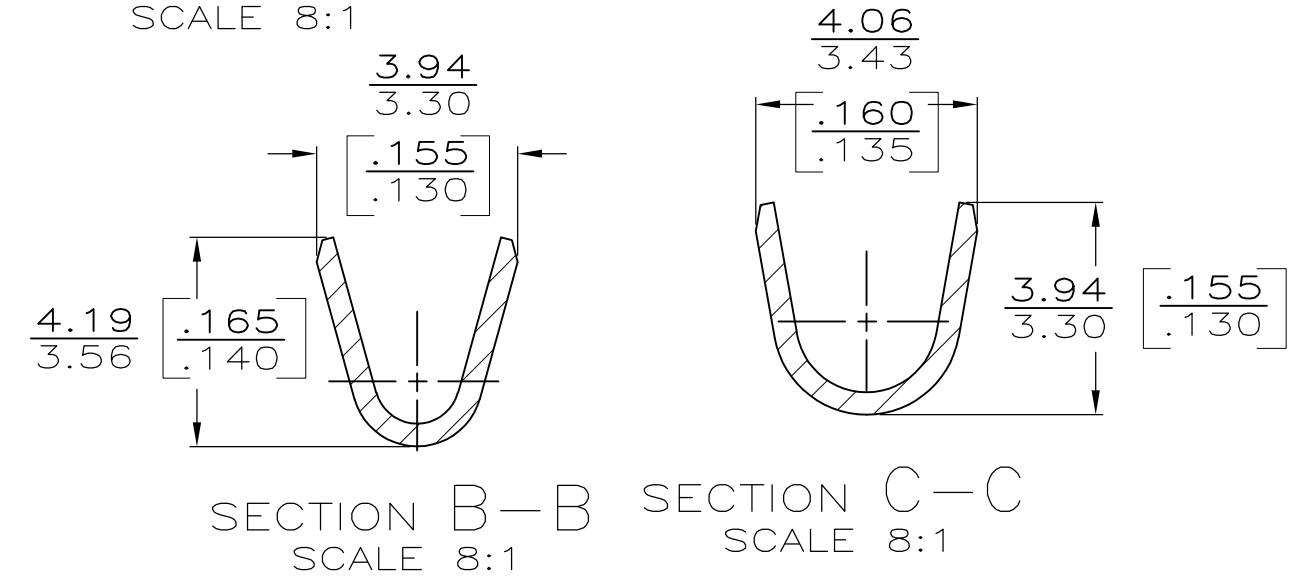
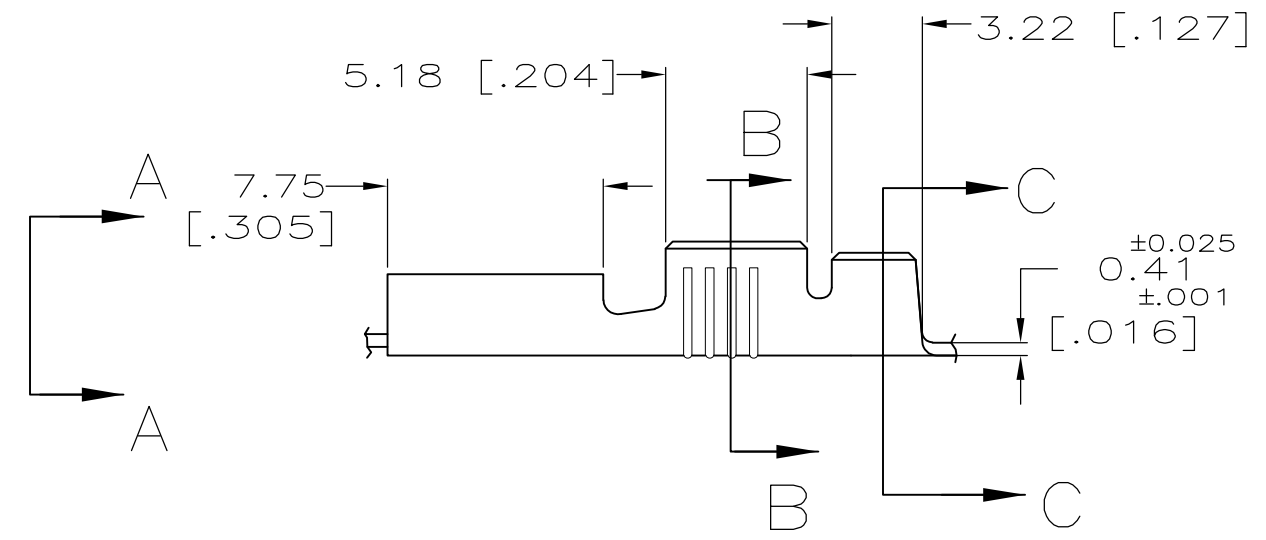


LOC		DIST		REVISIONS					
AF		50		P	LTR	DESCRIPTION	DATE	DWN	APVD
					C1	REVISED PER ECO-11-004917	11MAR11	RK	HMR



1 CONTINUOUS STRIP ON REELS.



1.52-2.79 DIA [.060-.110] DIA	0.8-2.0mm <sup>2</sup> [18-14] AWG	0.81 [.032]	63688-1
INSULATION RANGE	WIRE SIZE	MATING TAB THK ±0.025 [.001]	PART NO

THIS DRAWING IS A CONTROLLED DOCUMENT.		DWN JR RUTH 4/26/93	TE Connectivity			
DIMENSIONS: MM[INCHES]		CHK MS FEHER 4/26/93				
		APVD P DESANTIS 4/26/93				
TOLERANCES UNLESS OTHERWISE SPECIFIED:		PRODUCT SPEC	NAME RECEPTACLE, FASTON, 6.35 [.250] SERIES			
0 PLC ± - 1 PLC ± - 2 PLC ± 0.25 [.010] 3 PLC ± - 4 PLC ± - ANGLES ± -		APPLICATION SPEC 114-2036	SIZE A3	CAGE CODE 00779	DRAWING NO C-63688	RESTRICTED TO -
MATERIAL TEMPER 2 STEEL		FINISH NICKEL 0.00381 [.000150] MIN	WEIGHT -		CUSTOMER DRAWING	
			SCALE 4:1	SHEET 1 OF 1	REV C1	