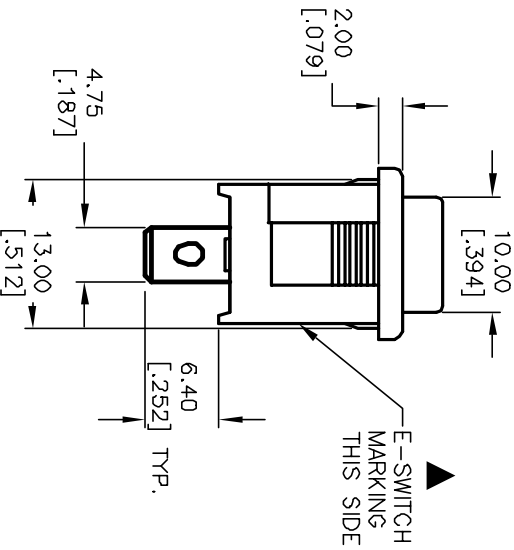
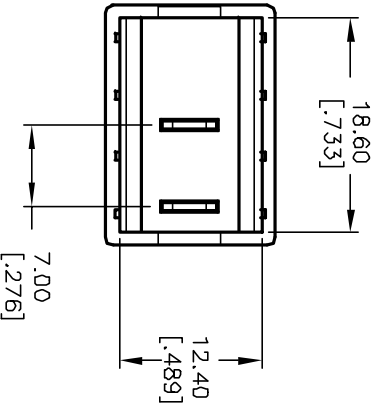
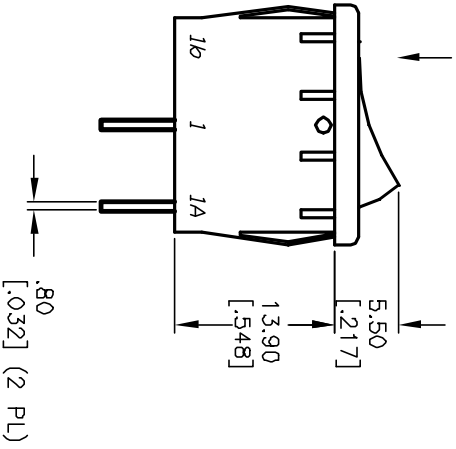
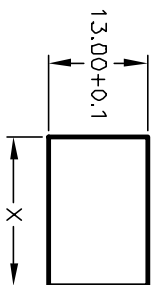


FIGS. 1



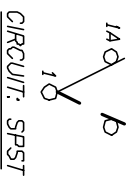
▲ E-SWITCH MARKING THIS SIDE

PANEL THICKNESS	X dimension
0.75-1.25 [0.030-.049]	19.2-01 [0.756]
1.25-2.0 [0.049-.079]	19.4-01 [0.764]
2.0-3.0 [0.079-.118]	19.8-01 [0.780]



PANEL CUTOUT  
NOT TO SCALE

SWITCH FUNCTION	POS. 1	POS. 2
DN	DN	OFF
1-1a	OPEN	



CIRCUIT: SPST

NOTES:

1. ALL DIMENSIONS IN MM [INCH]
2. GENERAL TOLERANCE: X.X=±0.4  
X.XX=±0.25
3. TERMINAL NUMBERS FOR REF ONLY
4. RATING: 15A @ 125VAC OR  
6A @ 250VAC
5. MATERIALS: TERMINALS: Silver Plated Copper Alloy  
CONTACTS: Coin Silver, Silver Plated
6. ELECTRIC LIFE: 10,000 cycles
7. CONTACT RESISTANCE: <20 Mega Ω
8. INSULATION RESISTANCE: >1000 Mega Ω
9. DIELECTRIC STRENGTH: >1500 V 1 minute  
>3000 V between poles
10. HOUSING/ACTUATOR COLOR: BLACK

**E-SWITCH®**

R1966A BLK BLK HF

REV.	ECN No.	REVISION PART DESCRIPTION	DATE	CHKD
A	12519	REVISED PART DESCRIPTION	10/28/02	CJB

TITLE	SCALE	DATE	DR	DWG	REV
R1966A BLK BLK HF	1.5:1	10/28/02	CJB	M300003	A

THE INFORMATION CONTAINED IN THIS DOCUMENT IS PROPRIETARY TO E-SWITCH AND IS NOT TO BE COPIED OR TRANSFERRED