

THIS DRAWING IS UNPUBLISHED.

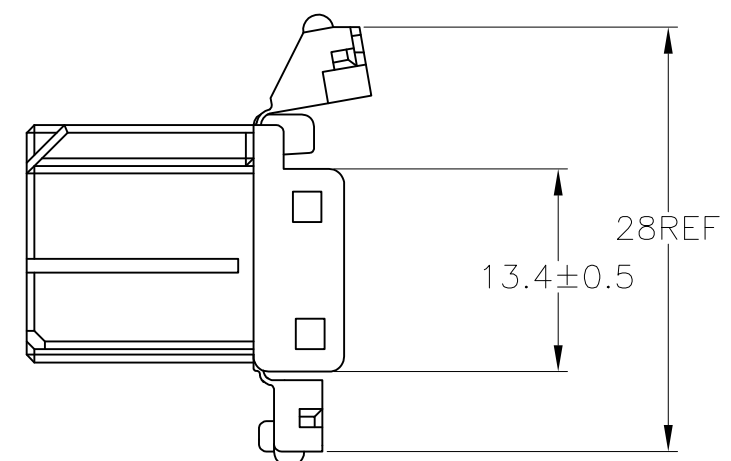
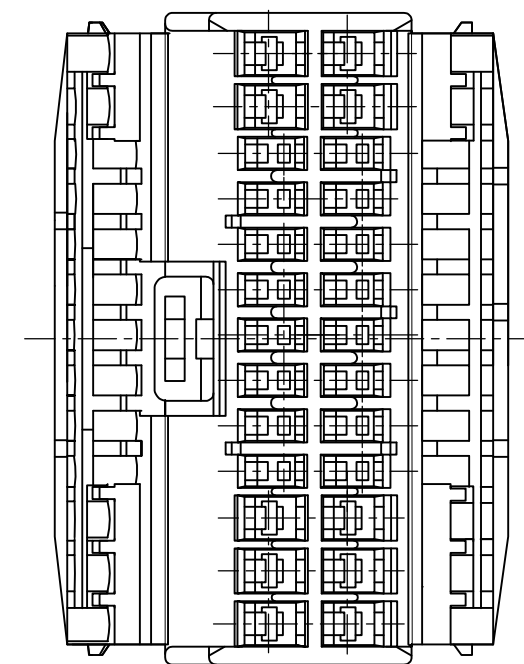
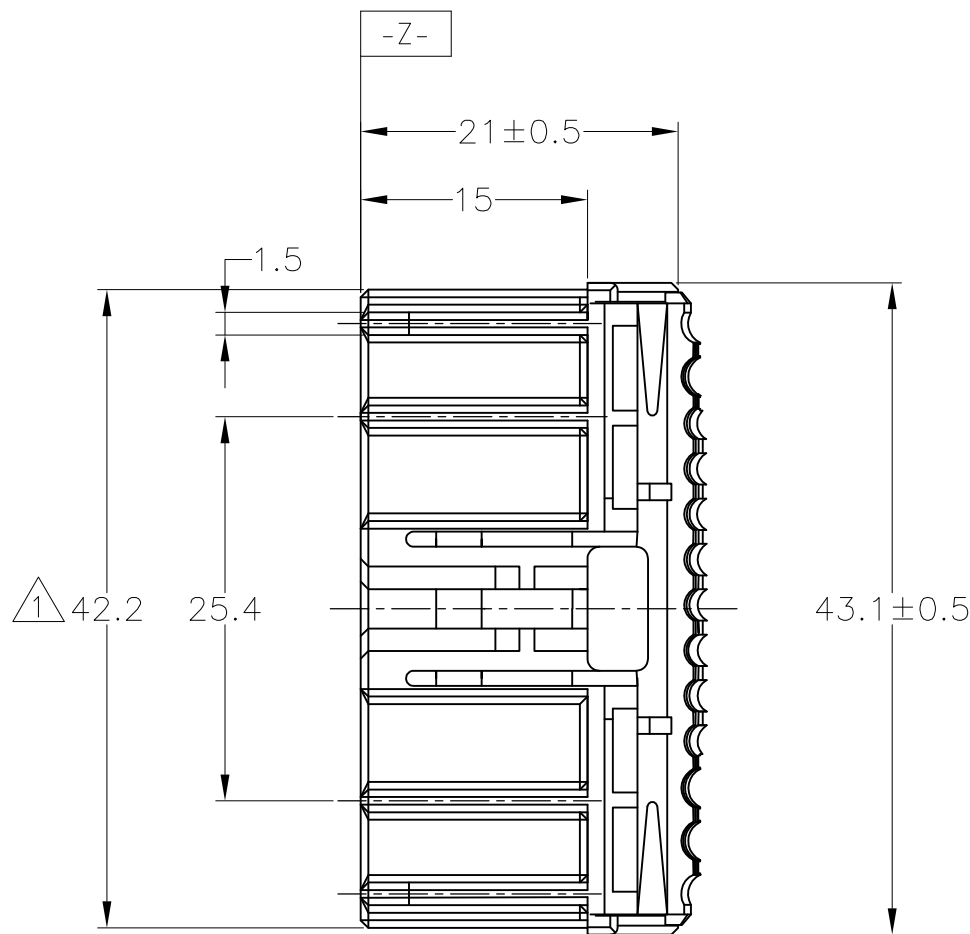
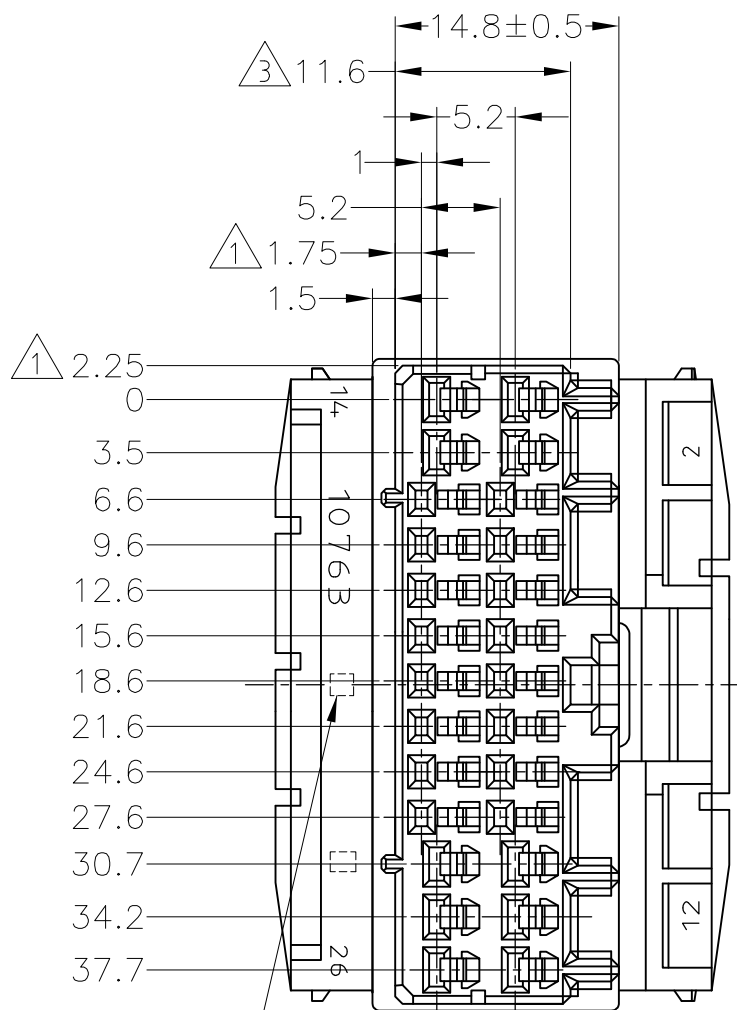
RELEASED FOR PUBLICATION

-. -. .

© COPYRIGHT - By -

ALL RIGHTS RESERVED.

LOC J	DIST -	REVISIONS		
P	LTR	DESCRIPTION	DATE	DWN
	E3	REVISED PER ECO-11-005140	28MAR11	RK
				APVD HMR



- 1. MUST BE KEPT BETWEEN -Z- AND 2mm.
- 2. THE MATING CAP HOUSING PART NUMBER ; 174518
- 3. APPLIED CONTACT PART NUMBER ; 173631, 173716, 173630, 175094
- 4. APPLICABLE PRODUCT SPECIFICATION NUMBER ; 108-5280

- 1. -Z- 面より 2mm の範囲で測定
- 2. 嵌合相手ハウジング型番 ; 174518
- 3. 内装するリセプタクルコンタクト型番 ; 173631, 173716, 173630, 175094
- 4. 適用製品規格番号 ; 108-5280

OBSOLETE	YELLOW	174516-7
	LIGHT GRAY	6-174516-6
	GRAY	174516-6
	BLACK	174516-2
	WHITE	174516-1
	COLOR	PART NUMBER

GENERAL TOLERANCE	
0<* < 10	: ±0.2
10<* < 30	: ±0.25
30<* < 100	: ±0.3
ANGLES	: ±3°

THIS DRAWING IS A CONTROLLED DOCUMENT.		DWN T.SHINOHARA 09JUL10		STE TE Connectivity	
DIMENSIONS: mm		CHK K.BETSUI 09JUL10			
		TOLERANCES UNLESS OTHERWISE SPECIFIED:		APVD K.BETSUI 09JUL10	
		0 PLC ± - 1 PLC ± - 2 PLC ± - 3 PLC ± - 4 PLC ± - ANGLES ± - FINISH -		NAME	
MATERIAL PBT		PRODUCT SPEC SEE NOTE 4		HYBRID I/O CONNECTOR 26POSITION PLUG HOUSING	
		APPLICATION SPEC		SIZE	RESTRICTED TO
		WEIGHT -		CAGE CODE A300779	DRAWING NO C-174516
		CUSTOMER DRAWING		SCALE 2:1	SHEET 1 OF 1
				REV E3	