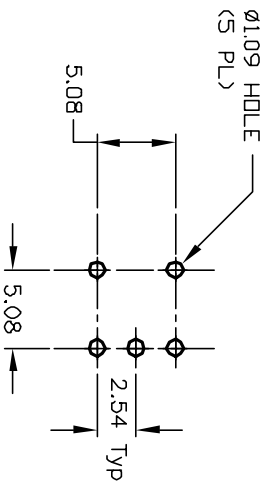
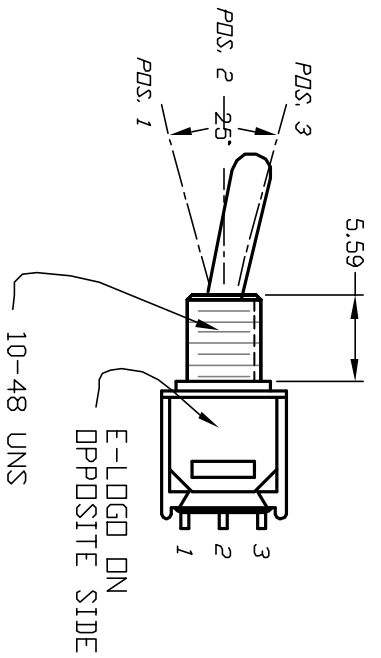
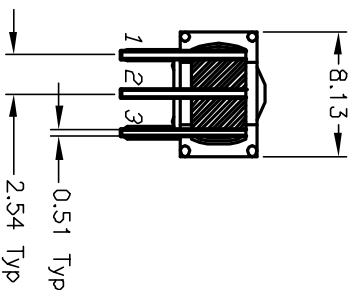
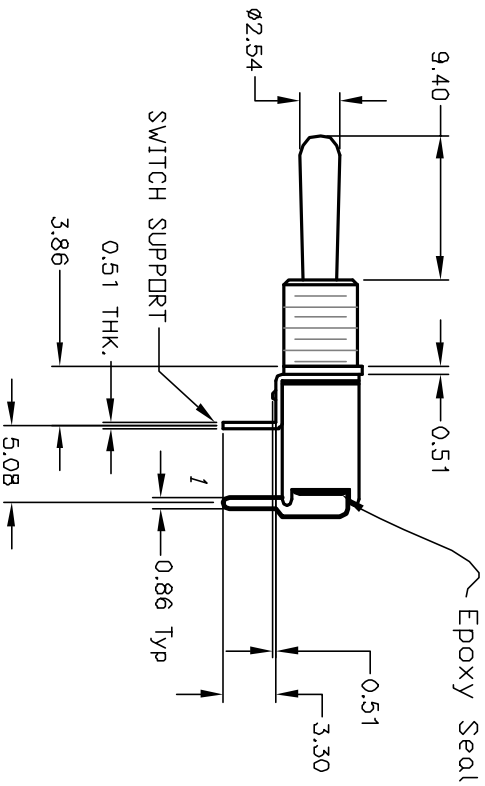
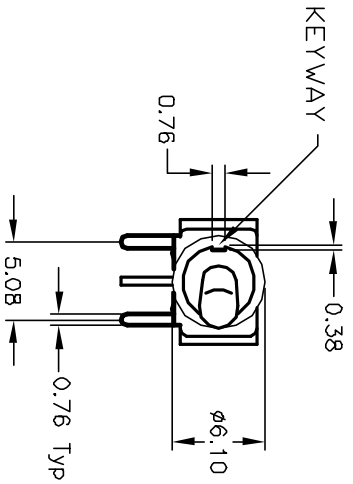


CIRCUIT: SPDT

SWITCH FUNCTION		
POS. 1	POS. 2	POS. 3
DN	NONE	DN
2-3	DPEN	2-1



RECOMMENDED PCB LAYOUT



NOTES:

1. ALL DIMENSIONS IN MM
2. GENERAL TOLERANCE: X.X=±0.4 X.XX=±0.25
3. TERM. NOS. FOR REF. ONLY
4. CONTACT RATING: 3A@ 120VAC. OR 28VDC; 1A@ 250VAC.
5. FIXED TERMINAL & MOVING CONTACT: Cu alloy w/ Silver plate
6. ELECTRIC LIFE: 30,000 make-and-break cycles at full load.
7. INSULATION RESISTANCE: 1,000 M ohm min.
8. DIELECTRIC STRENGTH: 1,000 V RMS @sea level.
9. OPERATING TEMP.: -30°C to 85°C

REV.	ECN No.	DESCRIPTION	DATE	CHKD
A	12763	RELEASED FOR PRODUCTION	1/27/03	CJB

TITLE	SCALE	DATE	DR	DWG	REV
200 MSP-1 T1 B3 M6 Q E	2:1	1/24/03	CJB	T211113	A

E-SWITCH®

THE INFORMATION CONTAINED IN THIS DOCUMENT IS PROPRIETARY TO E-SWITCH AND IS NOT TO BE COPIED OR TRANSMITTED