

MATERIALS AND FINISHES:

BODY FRONT, CAP, JAM NUT: BRASS  
PLATED: NICKEL (100μ-in MIN)

BODY REAR: BRASS  
PLATED: TIN (150μ-in MIN)

CONTACT: BRASS  
PLATED: GOLD (10μ-in MIN)

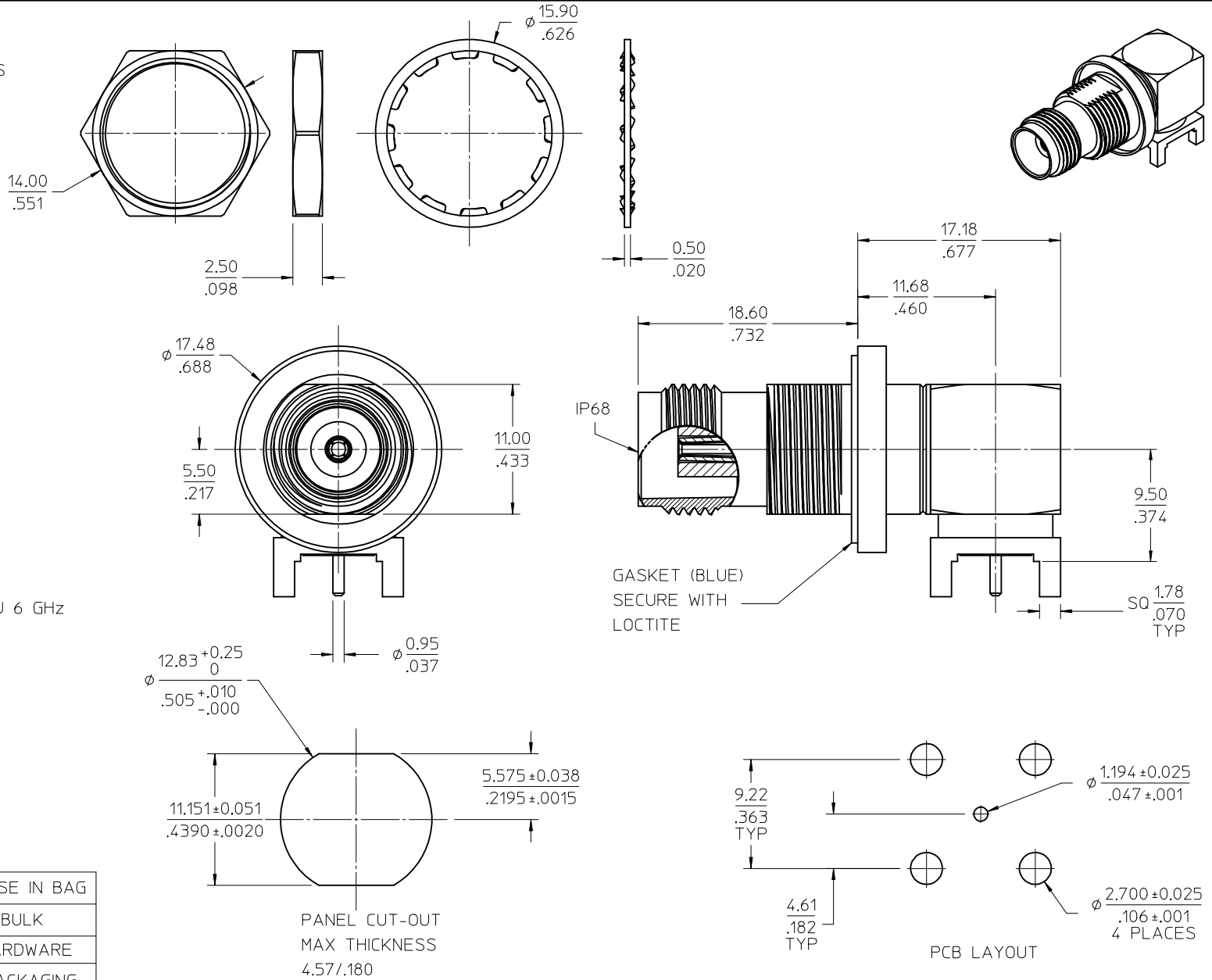
INSULATOR: TEFLON

GASKET: SILICONE RUBBER

LOCK WASHER: PHOSPHOR BRONZE  
PLATED: NICKEL (10μ-in MIN)

ELECTRICAL PERFORMANCE:

1.30 VSWR MAX THROUGH 6 GHz  
0.25 dB MAX INSERTION LOSS THRU 6 GHz



73216-2241	ONE PER BAG	LOOSE IN BAG
73216-2240	BULK	BULK
PART NO.	PACKAGING	HARDWARE
		PACKAGING

CHG: ADDED 9.50 MM DIM IN F1 ZONE. ADD PLATING THICKNESSES EC NO: URF2016-0083 DRW:BBHARADWAJ.D 2015/08/20 CHK:D.LLM 2015/08/20 APPR:AROBERTSON 2015/08/28 REV: 3	QUALITY SYMBOLS ▽=0 ▽=0	GENERAL TOLERANCES (UNLESS SPECIFIED) <table border="1"> <tr> <th></th> <th>mm</th> <th>INCH</th> </tr> <tr> <td>4 PLACES ±</td> <td>---</td> <td>±---</td> </tr> <tr> <td>3 PLACES ±</td> <td>---</td> <td>±---</td> </tr> <tr> <td>2 PLACES ±</td> <td>---</td> <td>±---</td> </tr> <tr> <td>1 PLACE ±</td> <td>---</td> <td>±---</td> </tr> </table> ANGULAR ± 2°		mm	INCH	4 PLACES ±	---	±---	3 PLACES ±	---	±---	2 PLACES ±	---	±---	1 PLACE ±	---	±---	DIMENSION STYLE MM/IN	SCALE DESIGN UNITS METRIC	THIRD ANGLE PROJECTION
		mm	INCH																	
	4 PLACES ±	---	±---																	
	3 PLACES ±	---	±---																	
2 PLACES ±	---	±---																		
1 PLACE ±	---	±---																		
DRAFT WHERE APPLICABLE MUST REMAIN WITHIN DIMENSIONS	MATERIAL NO. SEE TABLE	DRAWN BY AZR	DATE 2009/07/23	TITLE TNC JACK RA BULKHEAD IP68 PCB TH TNC-J/PCB, EWR-4151	SHEET NO. 1 OF 1															
		CHECKED BY SSS	DATE 2009/07/23	MOLEX INCORPORATED																
		APPROVED BY JW IENER	DATE 2010/04/22	DOCUMENT NO. SD-73216-224																