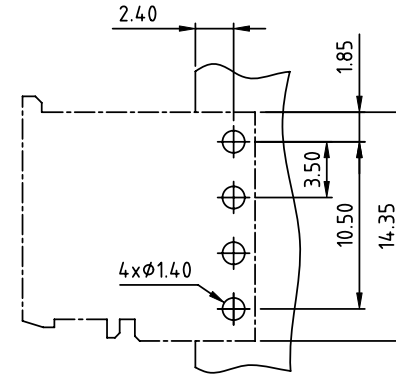
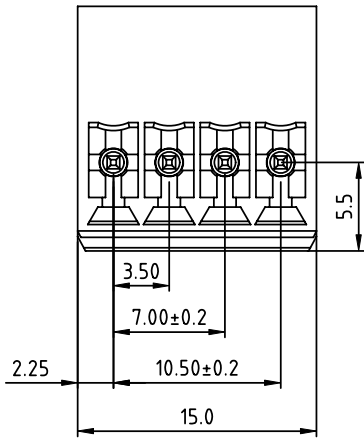


| | |
|----------------|---------|
| PRODUCT NUMBER | PITCH |
| EU0410x100J0G | 3.50 mm |



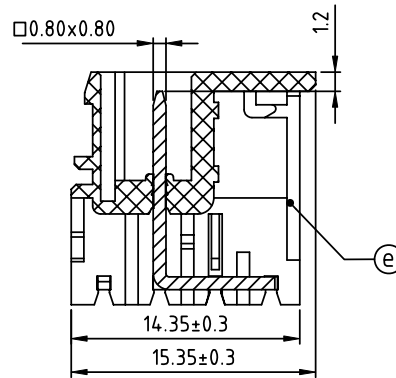
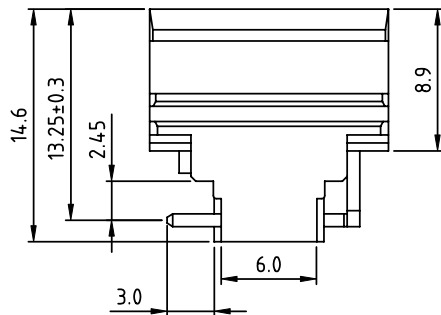
RECOMMENDED P.C.B LAYOUT
TOP VIEW

Material:

- Item (a) Pin-01: Copper, Tin plated
- Item (b) Pin-02: Copper, Tin plated
- Item (c) Pin-03: Copper, Tin plated
- Item (d) Pin-04: Copper, Tin plated
- Item (e) Terminal (housing): Thermoplastic (UL94V-0)

Electrical:

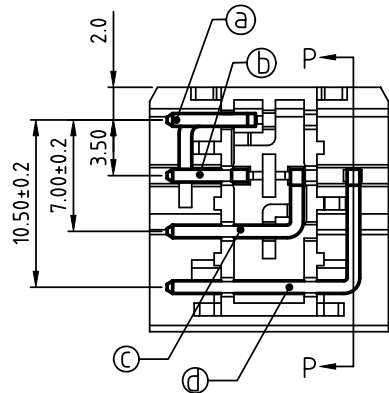
- cULus
- Voltage rating: 300V
- Current rating: 10A
- Withstanding Voltage: 1.6 KV
- Operating temperature: -40°C to +115°C
- Soldering temperature: 260°C±5°C/5 Sec
- Safety Approval:



Section P-P

PART NO.: EU 04 10 x 1 00J0 G

- Color
- 0 Black (RAL9005)
 - 2 Red (RAL3001/D)
 - 3 Orange (RAL2011/P)
 - 4 Yellow (RAL1018/A)
 - 5 Green (RAL6018/T)
 - 6 Blue (RAL5015/A)
 - 8 Grey (RAL7035/D)
 - 9 White (RAL1102)
 - C Green (RAL6018/U)
- RoHS compliant (lead<4%)
In copper Alloy



| | | | | | |
|-------------|----------------|-----------------------|-------------------------|---------------------------------------|----------------------------------|
| mat'l. code | | surface ASME Y14.5 | tolerance ASME Y14.5 | projection | product family TERMINAL BLOCK |
| ltr | ecn no | dr | date | tolerances unless otherwise specified | title |
| | | | | angles X±0.5 | TERMINAL BLOCK |
| | | | | flatness X.X±0.3 | PLUGGABLE SOCKET, LEFT TYPE |
| | | | | parallelism X*±1* | scale |
| | | | | dr EVIN ZHONG 050914 | MM |
| | | | | enrg EVIN ZHONG 050914 | FCI |
| | | | | chr HANKE FENG 050914 | dwg no EU0410x100J0G |
| | | | | appd SHI JUN 050914 | sheet 1 of 1 |
| | | | | | size A4 |
| sheet index | revision sheet | A | 1 | | type CUSTOMER Drawing |