

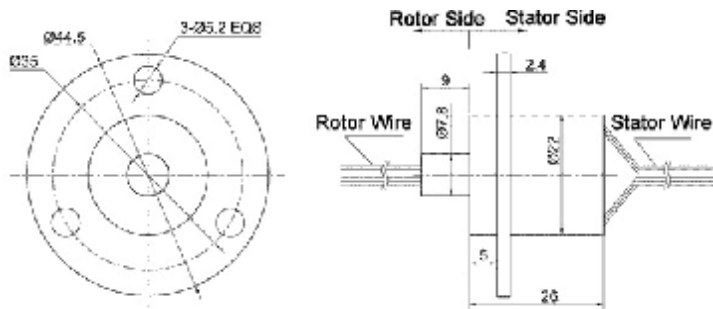
## SNM022A-12

**Body Diameter: 22.00mm , Length: 26mm**  
**12 circuits \* 2A version**

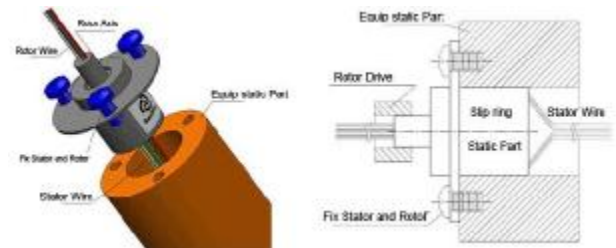
The SNM022A-12, with 12 wires and compact 22.00mm body diameter, which we call our “medium”, uses SenRing's fiber brush technology which offers several advantages over conventional slip ring contacts including multiple points of contact per brush bundle, low contact force per fiber and low contact wear rates.



### SNM022A-12 Dimensions



### Flange mounted:



### SNM022A-12 Specifications

Contact Material	Gold alloy brush, Gold plated rings
Current Rating	2A, per ring, maximum
Number of Circuits	12
Operating Speed	250 rpm <sup>*</sup> continuous
Housing Material	Engineering Plastics
Lead Wire	UL Teflon® Awg28, color-coded, silver-plated
Lead Lengths	250mm
Voltage	210 VDC / 240 VAC
Operating Temp.	-40°C to 80°C
Torque	Approx. ≤0.39 g·m (for reference )
Dielectric Strength	≥600V@50Hz between each circuit
Insulation Resistance	600MΩ@ 300VDC
Noise	15 milliohms maximum tested @ 6 VDC, 40 milliamps when running @ 5 - 15 rpm
Resistance to pull	Radial 2KG, Axial 0.5KG
Protection	IP51

*\*Please note that the operational life of the unit is dependent upon rotational speed, environment and temperature.*

### Features

- Gold-on-gold contacts
- Compatible with data bus protocols
- Transfers analog and digital signals, Ethernet, USB, RS, Canbus, Fire wire signal.
- Speeds up to 250 rpm continuous
- Precision ball bearings meet or exceed life requirements for most commercial applications
- Smooth running, Low torque, Compact dimensions

### Type Application

- CCTV pan / tilt camera mounts | control equipment
- Electrical test equipment | Laboratory equipment
- Manufacturing and process | rotary index tables
- Medical equipment | Robotics
- Miniature cable reels

### Lead Wire Color Code

Circuit No.	1	2	3	4	5	5
Color	BLACK	BROWN	RED	ORANGE	YELLOW	GREEN
Circuit No.	7	8	9	10	11	12
Color	BLUE	PURPLE	GREY	WHITE	PINK	LIGHT BLUE