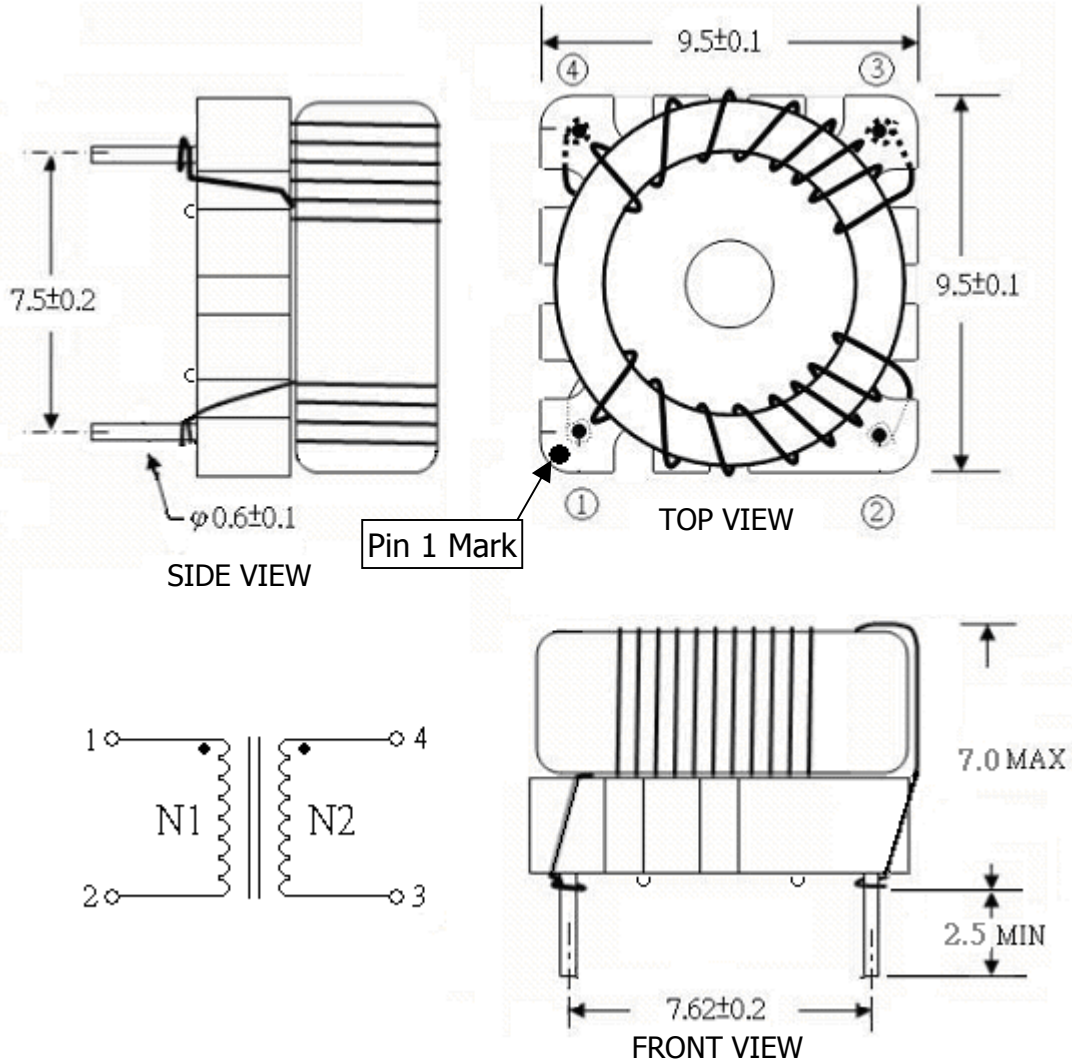


TCK-075



All dimensions in mm

SPECIFICATIONS

Inductance	Pin 1-2: $33.3\mu\text{H} \pm 20\%$ Pin 3-4: $33.3\mu\text{H} \pm 20\%$
	Test Condition: 100KHZ/50V Measurement Instrument: HP 4263B LCR Meter
Impedance	DCR(Max): $8.5\text{m}\Omega$
	Measurement Instrument: HIOKI 3540 mΩ Hitester
Rated current	IDC(Max): 4A
	Measurement Instrument: Agilent 34401A Meter
Rated voltage	500Vdc
Operating temperature	$-40^\circ\text{C} \sim +105^\circ\text{C}$
Recommended Through Hole	$\phi 0.8$ mm