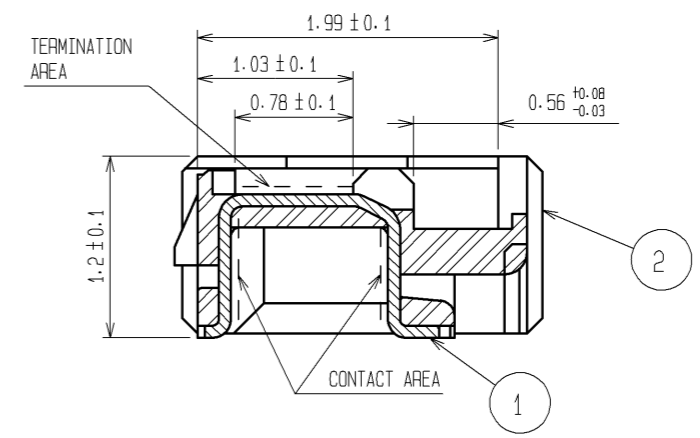
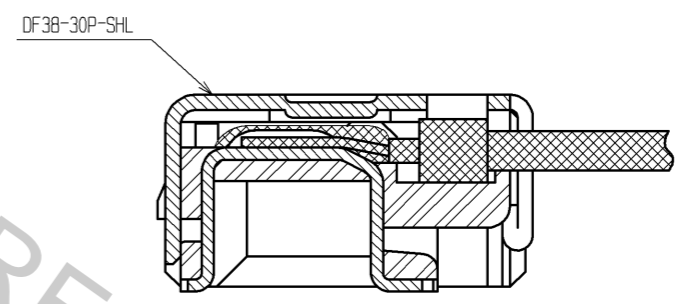


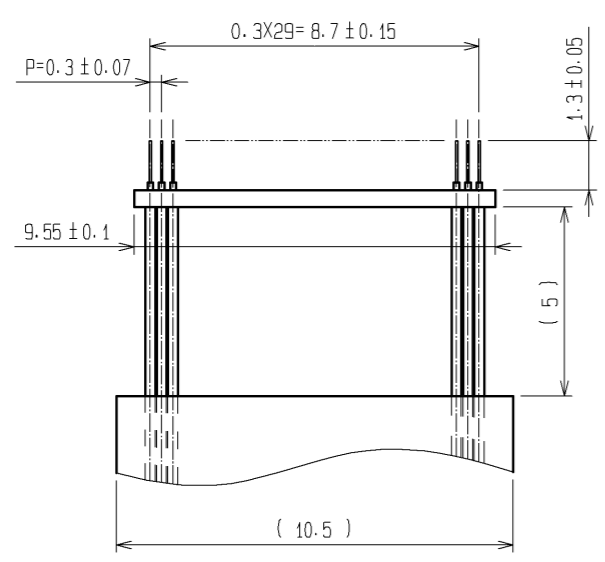
A-A (20:1)



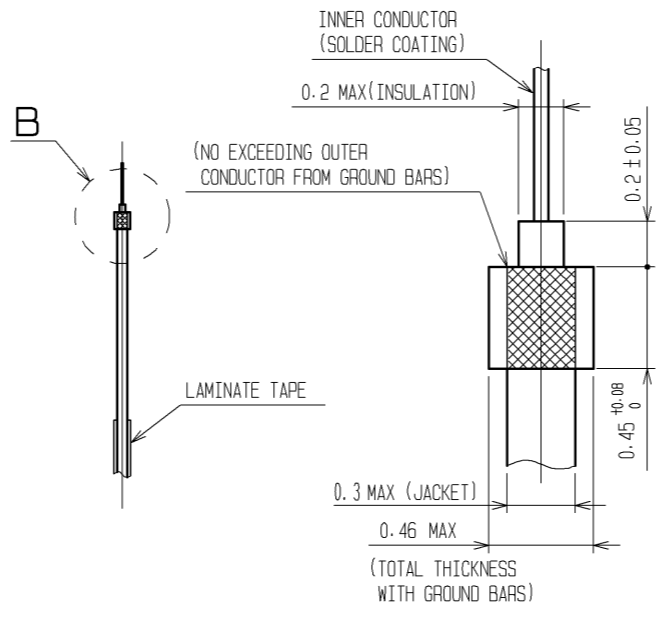
CABLE TERMINATION FIGURE (20:1)



RECOMMENDED CABLE SUBASSEMBLY



B (30:1)



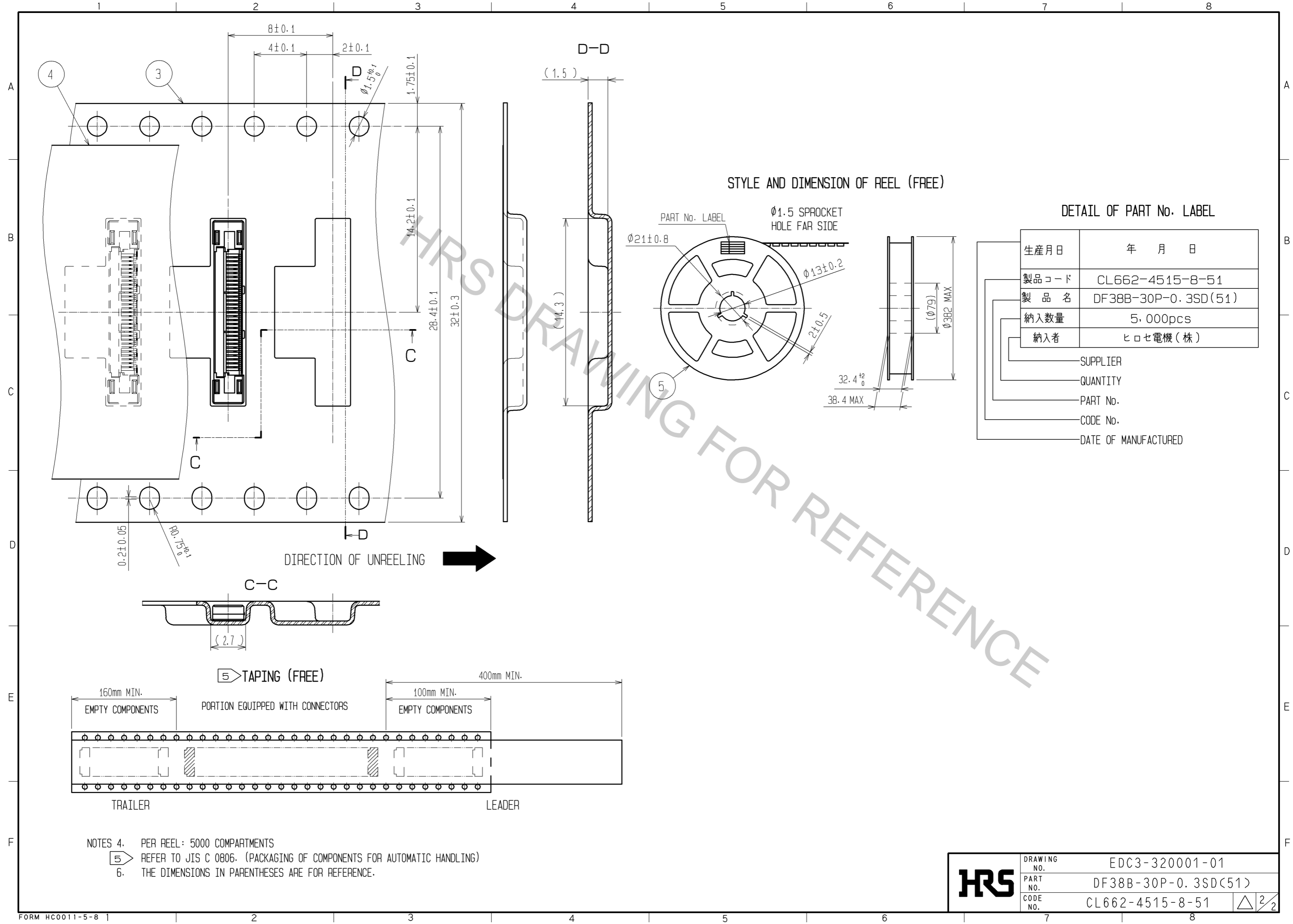
NOTES 1. APPLICABLE CABLE: THIN COAXIAL CABLE (AWG#42~AWG#46)
 2. THIS CONNECTOR IS NOT HOT PLUGGABLE. MATE AND UNMATE WHILE THE POWER IS OFF.
 3. THE ASSEMBLY IS COMPLETED BY COMBINING TWO PARTS (CONNECTOR UNIT, AND METAL SHIELDING). REFER TO THE TABLE FOR EACH ITEM No., PART NAME, PART No. AND CODE No.

| ITEM No. | PART NAME | PART No. | CODE No. |
|----------|-----------------|---------------------|-----------------|
| 1, 2 | CONNECTOR UNIT | DF38B-30P-0.3SD(51) | CL662-4515-8-51 |
| - | METAL SHIELDING | DF38-30P-SHL | CL662-4507-0 |

| NO. | MATERIAL | FINISH | REMARKS | NO. | MATERIAL | FINISH | REMARKS |
|-----|-----------------|--------|--|-----|-----------|--------|----------------|
| 1 | PHOSPHOR BRONZE | | CONTACT AREA : Au PLATING 0.1μm min TERMINATION AREA : Au PLATING 0.1μm min UNDER PLATING : Ni PLATING 1μm min | 5 | PS | | BLACK |
| | | | | 4 | POLYESTER | | CLEAR |
| | | | | 3 | PS | | CLEAR |
| | | | | 2 | LCP | | UL94V-0, BLACK |

| UNITS | SCALE | COUNT | DESCRIPTION OF REVISIONS | DESIGNED | CHECKED | DATE |
|--------------------------|-------|-------|--------------------------|------------------------------|---------|------|
| mm | FREE | △ | | | | |
| APPROVED : TS. SAKATA | | | 10.08.03 | DRAWING NO. EDC3-320001-01 | | |
| CHECKED : IO. DENPOUYA | | | 10.08.03 | PART NO. DF38B-30P-0.3SD(51) | | |
| DESIGNED : TP. MATSUMOTO | | | 10.08.03 | CODE NO. CL662-4515-8-51 | | |
| DRAWN : TP. MATSUMOTO | | | 10.08.03 | △ 1/2 | | |

Apr.1.2017 Copyright 2017 HIROSE ELECTRIC CO., LTD. All Rights Reserved.



| | | |
|------------|-------------|---------------------|
| HRS | DRAWING NO. | EDC3-320001-01 |
| | PART NO. | DF38B-30P-0.3SD(51) |
| | CODE NO. | CL662-4515-8-51 |
| | | △ 2/2 |