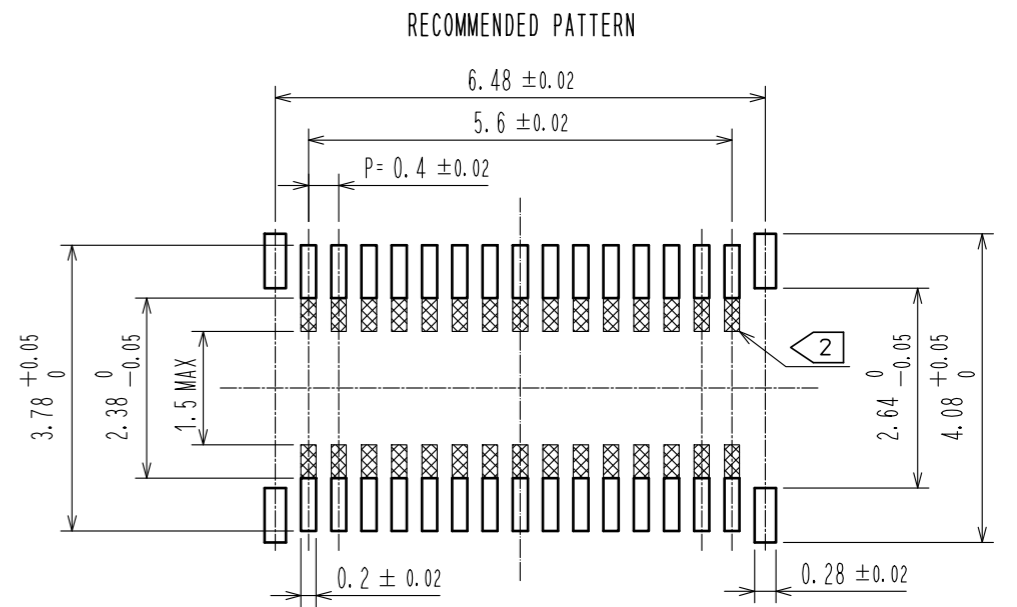
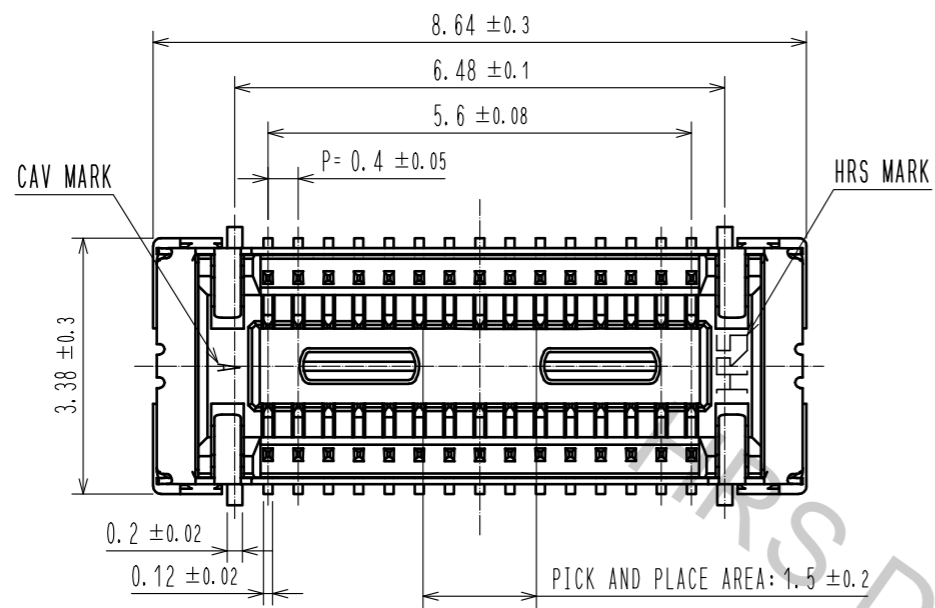
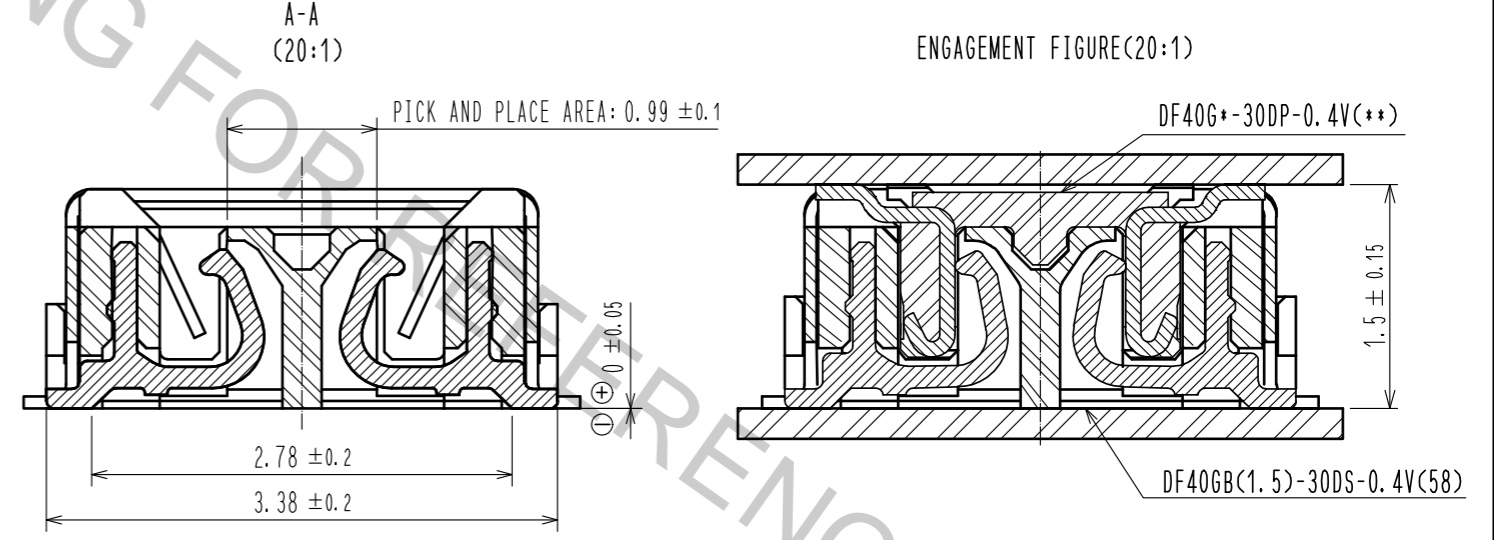
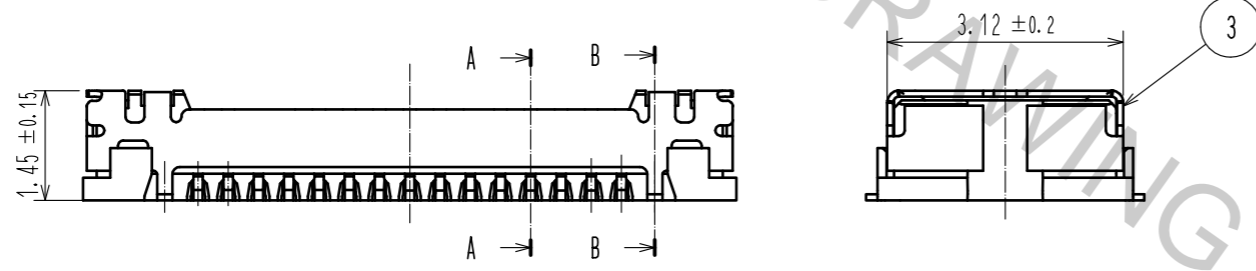


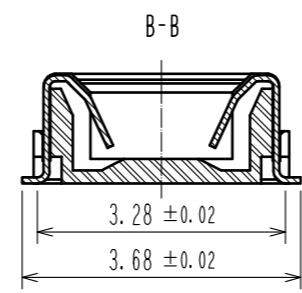
May.1.2017 Copyright 2017 HIROSE ELECTRIC CO., LTD. All Rights Reserved.



RECOMMENDED METAL MASK THICKNESS: 120 μm
 RECOMMENDED MASK OPENING RATIO: 80% FOR LEAD PAD

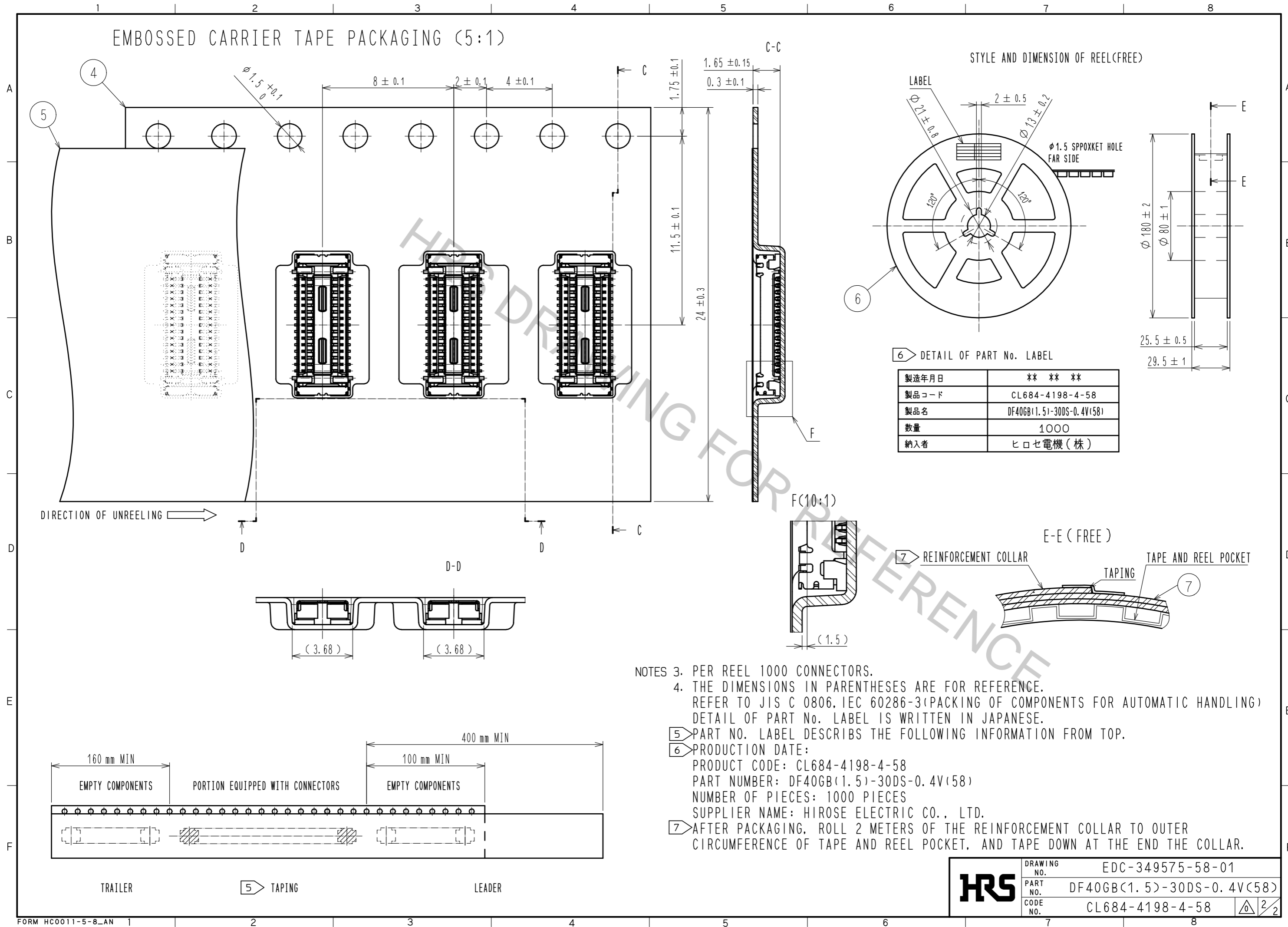


NOTES 1. ALL LEADS METAL FITTINGS CO-PLANARITY SHALL BE 0.1mm MAX.
 2 IS NON-CONDUCTIVE AREA.

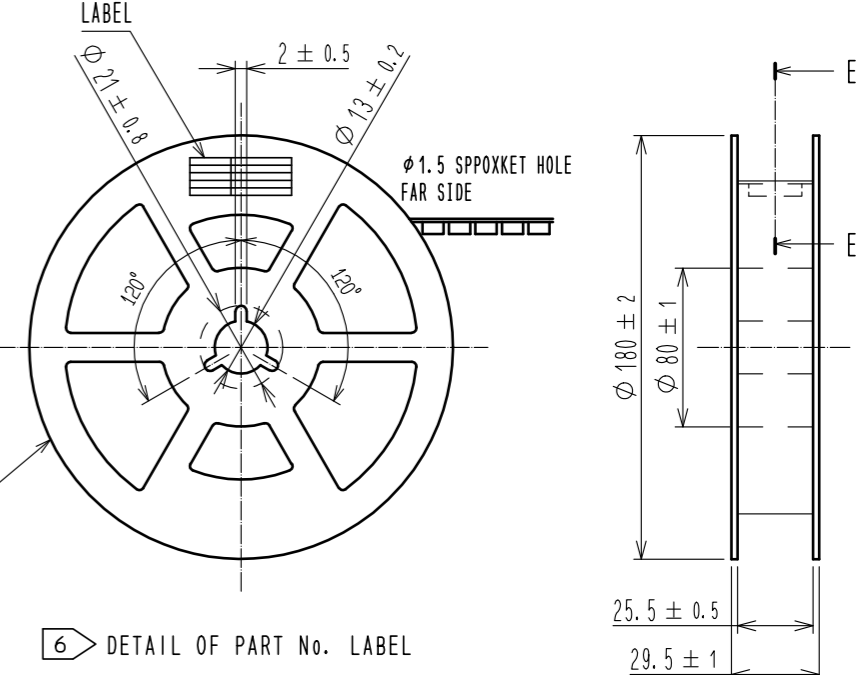


2	PHOSPHOR BRONZE	CONTACT AREA: Au 0.05 μm MIN SMT LEAD: Au 0.05 μm MIN UNDERPLATING: NICKEL 1 μm MIN	7	PS	CLEAR(REINFORCEMENT COLLAR)		
1	LCP	BLACK, UL94V-0	6	PS	BLACK(PLASTIC REEL)		
			5	POLYESTER	CLEAR(COVER TAPE)		
			4	PS	CLEAR(EMBOSSED CARRIER TAPE)		
			3	PHOSPHOR BRONZE	CONTACT AREA: Au 0.05 μm MIN SMT LEAD: Au 0.05 μm MIN UNDERPLATING: NICKEL 1 μm MIN		
NO.	MATERIAL	FINISH . REMARKS	NO.	MATERIAL	FINISH . REMARKS		
UNITS mm		SCALE 10 : 1	COUNT	DESCRIPTION OF REVISIONS	DESIGNED	CHECKED	DATE
HRS	HIROSE ELECTRIC CO., LTD.	APPROVED : MO. ISHIDA	15.07.01	DRAWING NO. EDC-349575-58-01			
		CHECED : TS. MIYAZAKI	15.07.01	PART NO. DF40GB(1.5)-30DS-0.4V(58)			
		DESIGNED : SH. HOSODA	15.07.01	CODE NO. CL684-4198-4-58			
		DRAWN : KR. AJITO	15.07.01				

EMBOSSED CARRIER TAPE PACKAGING (5:1)



STYLE AND DIMENSION OF REEL(FREE)



6) DETAIL OF PART No. LABEL

製造年月日	** ** *
製品コード	CL684-4198-4-58
製品名	DF40GB(1.5)-30DS-0.4V(58)
数量	1000
納入者	ヒロセ電機(株)

- NOTES
- PER REEL 1000 CONNECTORS.
 - THE DIMENSIONS IN PARENTHESES ARE FOR REFERENCE. REFER TO JIS C 0806, IEC 60286-3(PACKING OF COMPONENTS FOR AUTOMATIC HANDLING) DETAIL OF PART No. LABEL IS WRITTEN IN JAPANESE.
 - PART NO. LABEL DESCRIBES THE FOLLOWING INFORMATION FROM TOP.
 - PRODUCTION DATE:
PRODUCT CODE: CL684-4198-4-58
PART NUMBER: DF40GB(1.5)-30DS-0.4V(58)
NUMBER OF PIECES: 1000 PIECES
SUPPLIER NAME: HIROSE ELECTRIC CO., LTD.
 - AFTER PACKAGING, ROLL 2 METERS OF THE REINFORCEMENT COLLAR TO OUTER CIRCUMFERENCE OF TAPE AND REEL POCKET, AND TAPE DOWN AT THE END THE COLLAR.

HRS	DRAWING NO.	EDC-349575-58-01
	PART NO.	DF40GB(1.5)-30DS-0.4V(58)
	CODE NO.	CL684-4198-4-58
		\triangle 2/2

May.1.2017 Copyright 2017 HIROSE ELECTRIC CO., LTD. All Rights Reserved.