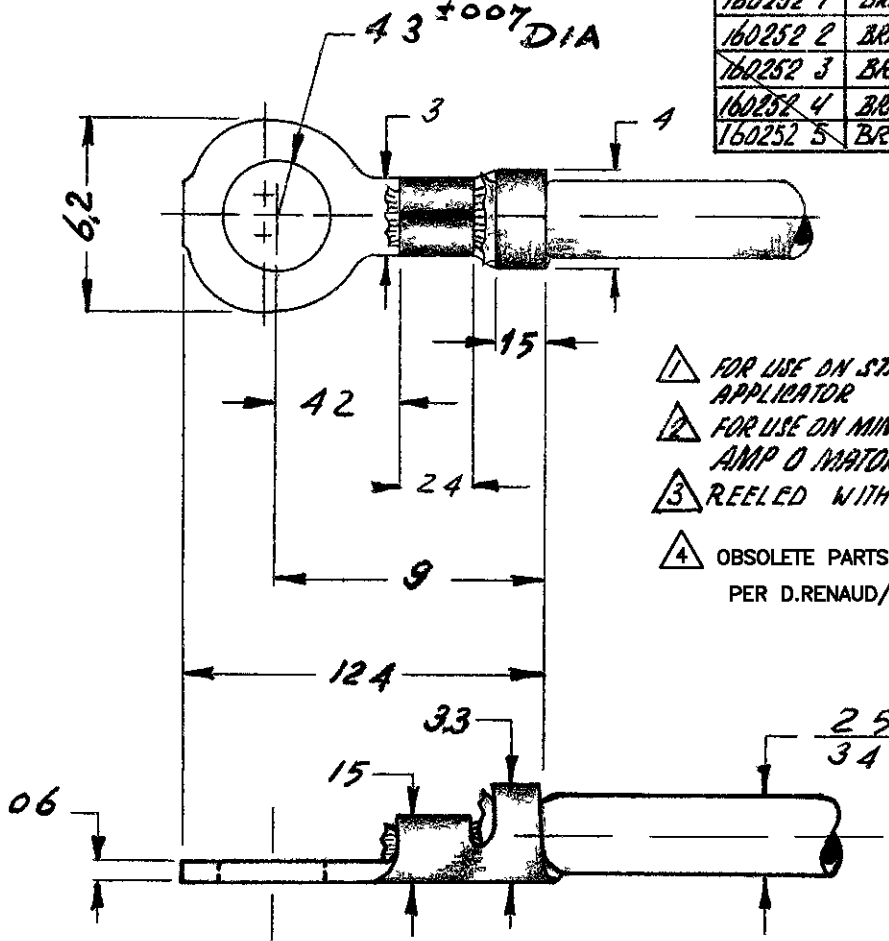


C 160252

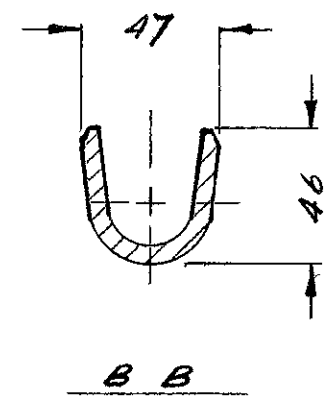
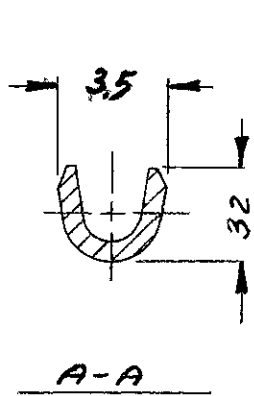
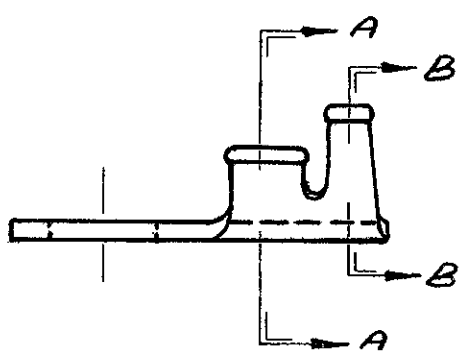
ED ON

N A T

ORDER NO	MATERIAL PLATING	NOTE
160252 1	BRASS	1
160252 2	BRASS TINPLATED	1
160252 3	BRASS	4 2
160252 4	BRASS TINPLATED	4 2
160252 5	BRASS	4 3 1



- △ FOR USE ON STANDARD AND MINIATURE APPLICATOR
- △ FOR USE ON MINIATURE APPLICATOR AMP O MOTOR APPLICATION
- △ REELED WITH PAPER
- △ OBSOLETE PARTS: OBSOLETE CIS STREAMLINING PER D.RENAUD/D.SINISI



MATERIAL **BRASS**
 HEAT TREATMENT **~**
 FINISH **~**

AMP HOLLAND N V 1959

AMP HOLLAND N V
 s HERTOGENBOSCH HOLLAND

WIRE TERMINAL

B1	REVISED PER ECO-09-026346	NOV09	KK
B	ADDED -5	23.5.82	FB
A	ADDED TABLE AND NOTES	23.7.82	FB
No	ALTERAT ON	DATE	BY N D C

CLASS	RINGTONGUE
TYPE	A M
SIZE	05-143 MM ²
TO ERANCES ALL D MENS ONS EXCEP AS NO ED	

DR **W J BOTS** 7-9/84 TR
 CK APP

SCALE **4-1** **C-160252**