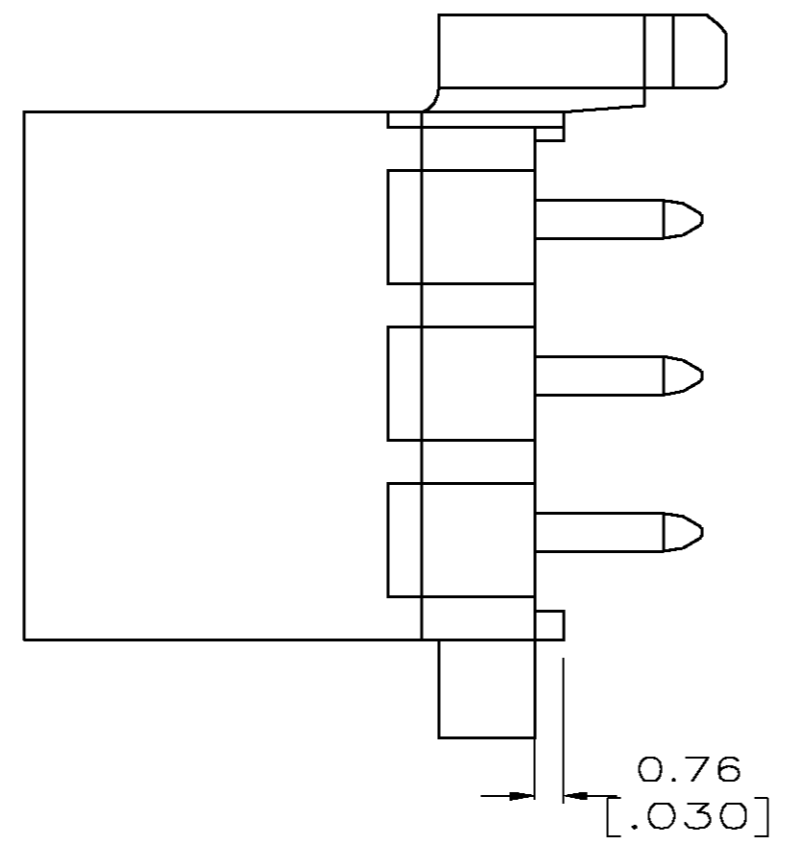
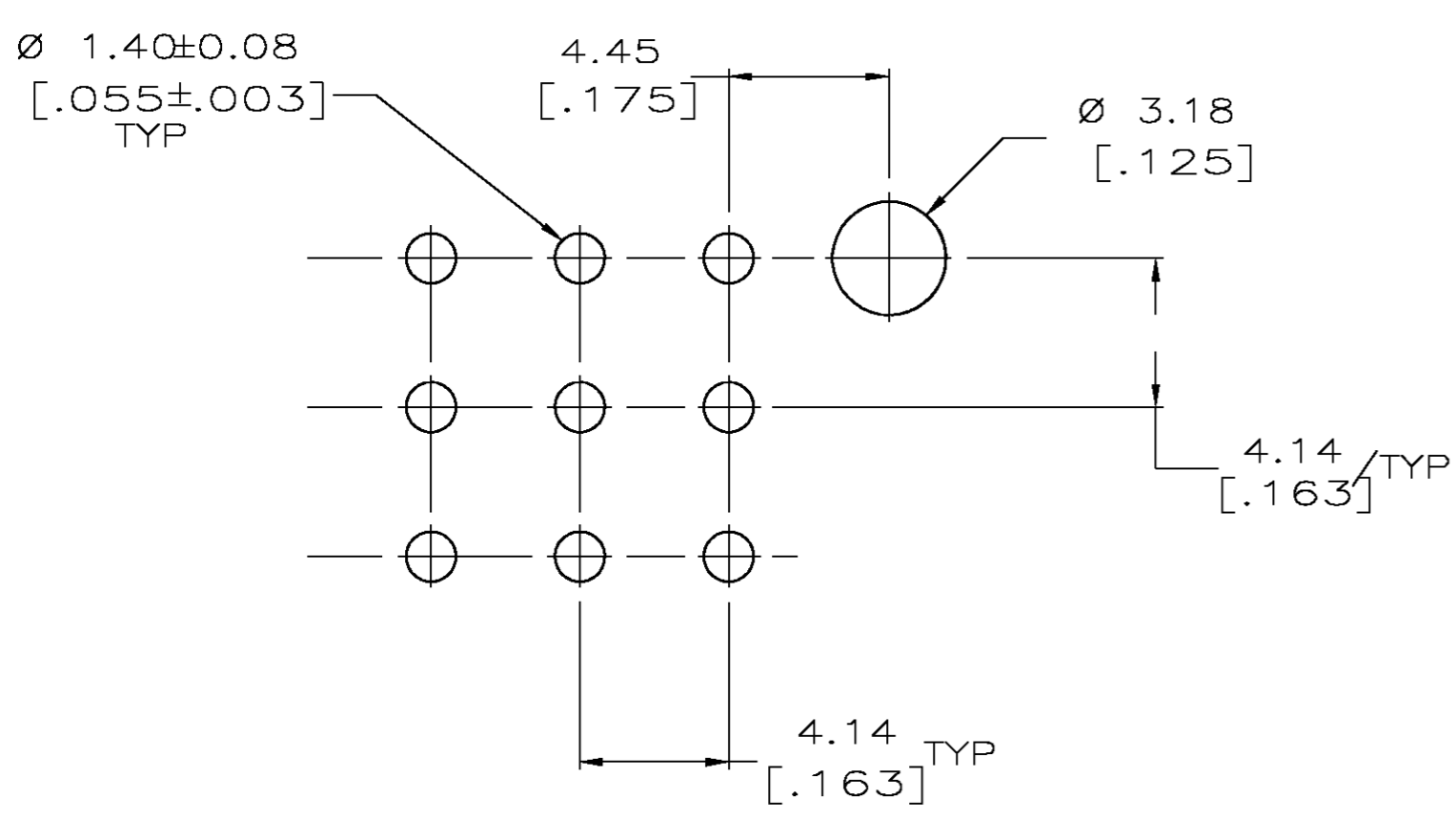
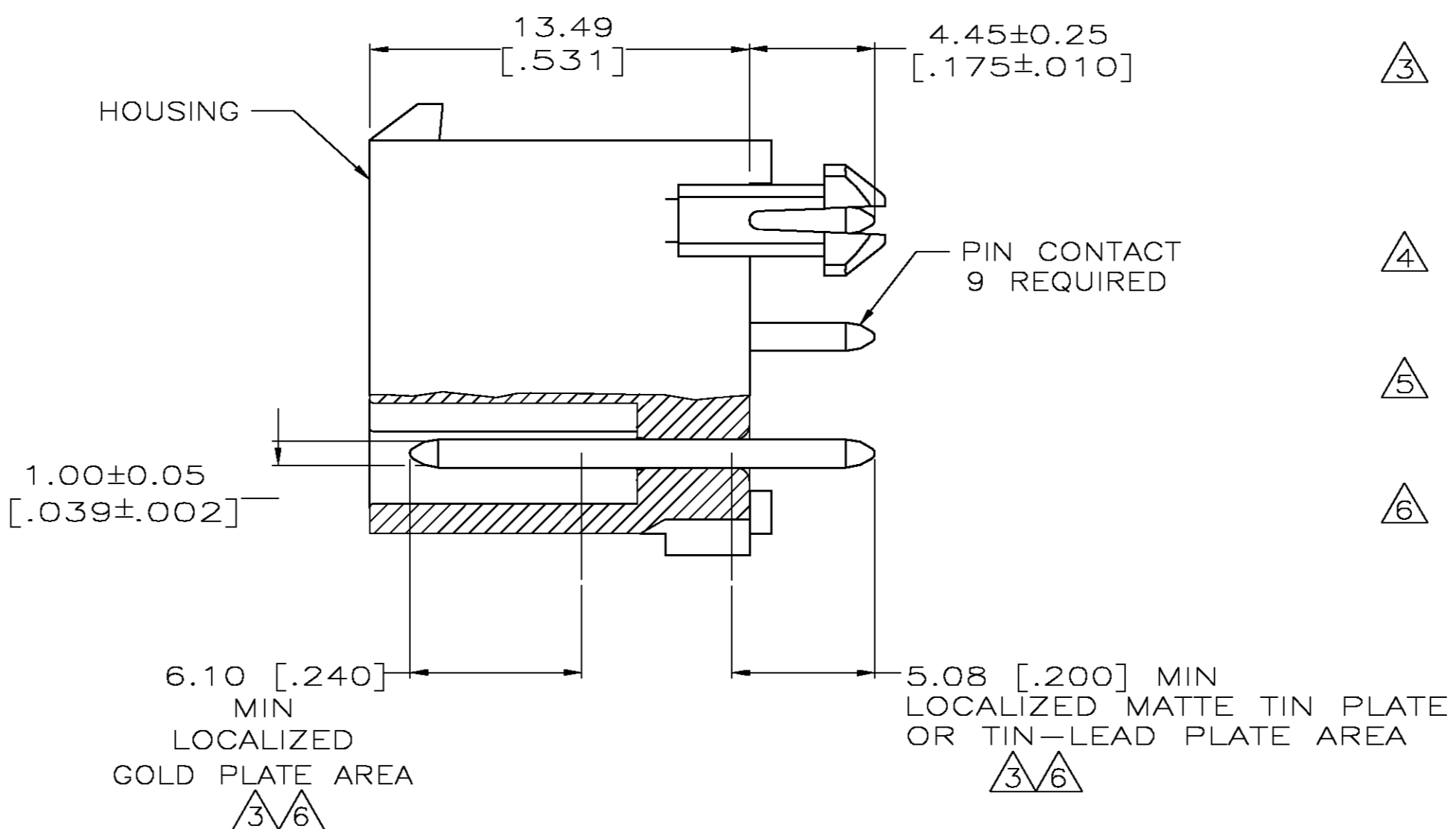
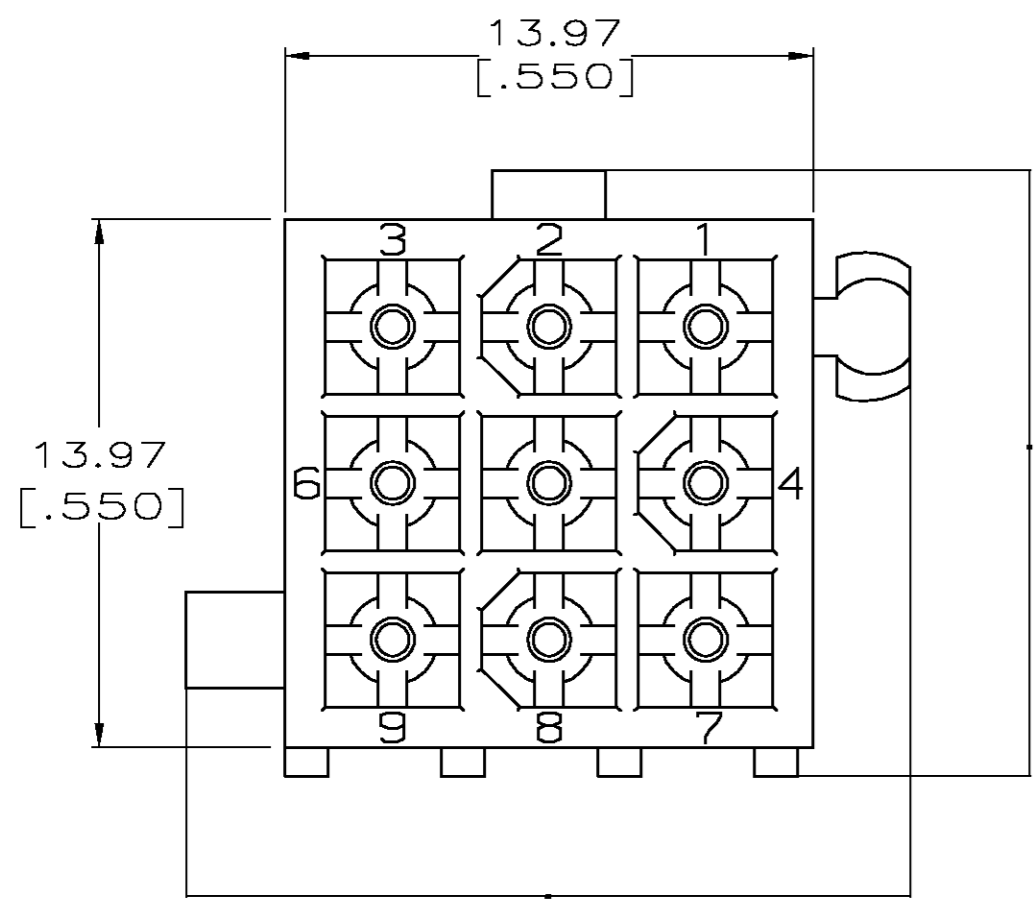


THIS DRAWING IS UNPUBLISHED. RELEASED FOR PUBLICATION
 © COPYRIGHT BY TYCO ELECTRONICS CORPORATION. ALL RIGHTS RESERVED.

LOC	DIST	REVISIONS					
		P	LTR	DESCRIPTION	DATE	DWN	APVD
CM	0	F		REVISED PER 0G3B-0211-05	6/9/05	SS	RJ

- PINS TO COMPLY WITH AMP SOLDERABILITY SPEC. 109-11-3.
- DIMENSIONS SHOWN IN BRACKETS ARE IN INCHES.
- 0.00076 [.000030] MIN GOLD PLATE IN THE LOCALIZED GOLD PLATE AREA, 0.00381 [.000150] MATTE TIN LEAD IN THE LOCALIZED TIN LEAD PLATE AREA, BOTH OVER 0.00127 [.000050] MIN NICKEL.
- 0.00381 [.000150] MATTE TIN LEAD OVER 0.00127 [.000050] MIN NICKEL ENTIRE LENGTH OF PIN.
- 0.00381 [.000150] MATTE TIN OVER 0.00127 [.000050] MIN NICKEL ENTIRE LENGTH OF PIN.
- 0.00076 [.000030] MIN GOLD PLATE IN THE LOCALIZED GOLD PLATE AREA, 0.00381 [.000150] MATTE TIN IN THE LOCALIZED TIN PLATE AREA, BOTH OVER 0.00127 [.000050] MIN NICKEL.



MATERIAL	FINISH	MATERIAL	COLOR	PART NO.
BRASS	△6	NYLON, UL94V-0	WHITE	1-770876-1
BRASS	△5	NYLON, UL94V-0	WHITE	1-770876-0
BRASS	△3	NYLON, UL94V-0	WHITE	770876-2
BRASS	△4	NYLON, UL94V-0	WHITE	770876-1

RECOMMENDED LAYOUT FOR 1.57 [.062] THICK BOARD
 TOLERANCES NON-ACCUMULATIVE

THIS DRAWING IS A CONTROLLED DOCUMENT.

DWN S CARPENTER 29JUL2003	09JUN05	Tyco Electronics Corporation Harrisburg, Pa 17105-3608
CHK R JONES 29JUL2003		
APVD R JONES 29JUL2003		NAME
DIMENSIONS: mm TOLERANCES UNLESS OTHERWISE SPECIFIED: 0 PLC ± - 1 PLC ± - 2 PLC ± 0.13 3 PLC ± - 4 PLC ± - ANGLES ± - FINISH		HEADER ASSEMBLY CLOSED BOTTOM, 9 CKT, MINI UNIVERSAL MATE-N-LOK
MATERIAL	FINISH	WEIGHT
CUSTOMER DRAWING		SCALE 5:1
SIZE A2		CAGE CODE 00779
DRAWING NO. C=770876		SHEET 1 OF 1
RESTRICTED TO		REV F