



Copyright FCI.

A

B

C

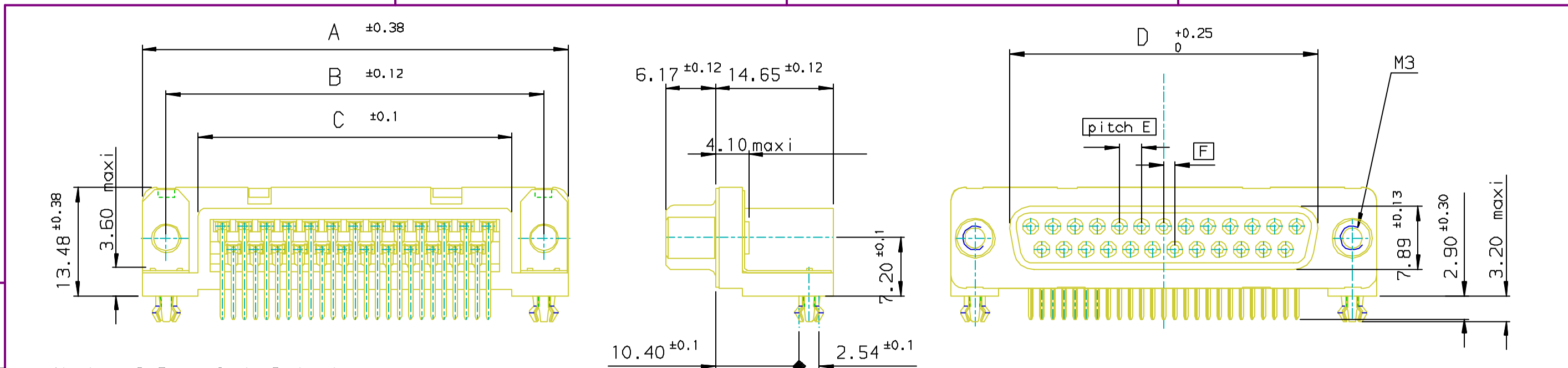
D

A

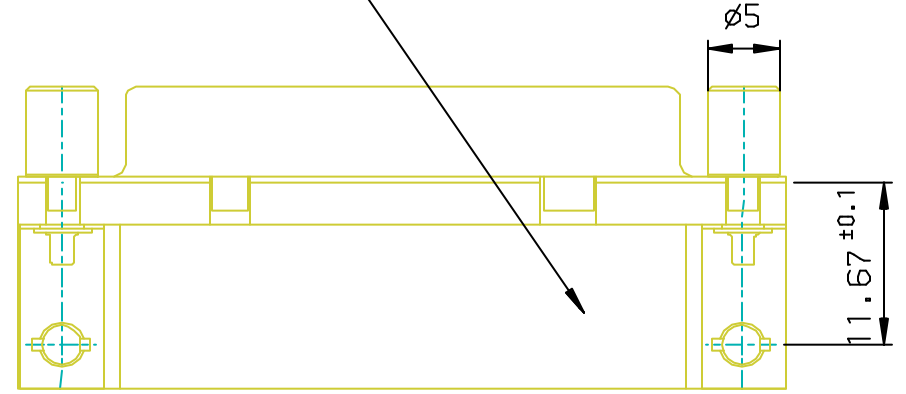
B

C

D



Part Number & Date Code Printing

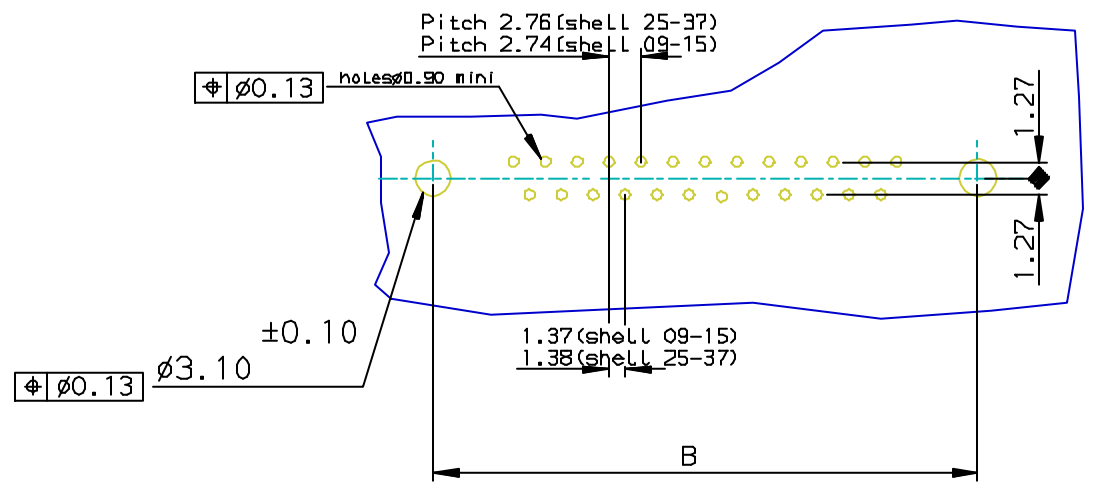


LF FOR LEAD FREE

SHELL	A±0.38	B±0.12	C±0.10	D±0.25	PART NUMBER
09	30.81	24.99	16.96	16.21	D09S13A*G100**
15	39.14	33.32	25.18	24.54	D15S13A*G100**
25	53.03	47.04	39.12	38.25	D25S13A*G100**
37	69.32	63.50	55.68	54.71	D37S13A*G100**

Plating: 4 --> flash AU
 Plating: 6 --> 0.76µ AU

PC card drilling dimensions(after plating)
 (thickness 1.60±0.20mm)



REQUIREMENTS

Technical characteristics:
 Shell: steel tin/Zinc Cr3 plated
 Insulators: self-extinguishing black polyster, ULclass94V0
 Contacts size 20: brass, gold 0.76µ on mating end, bright tin on termination end over nickel on entire contact
 Cycles : >500 for plating 6
 >200 for plating 4
 Harpoons: phosphor bronze, tin plated
 Metal plate for electrical continuity: brass, tin/Zinc Cr3 plated
 Nuts: brass, tin/Zinc Cr3 plated
Electrical characteristics:
 max. current rating: 5A
 Test voltage: 1000V
 Rated voltage: 300V
 Contact resistance: <15mΩ
 Shell resistance: <5mΩ
 Insulation resistance: >5000MΩ
Climatic characteristics:
 Operating temperature range: -55°C +125°C
Dimensions:
 in accordance with MIL-C-24308

FOR ROHS DETAILS REFER DWG.NO: C01-8646-0000

European Views

rev	ecn no	dr	date
C	105-0124	JS	2005/07/27
D	106-0074	SK	2006/06/08
-	-	-	-
-	-	-	-
-	-	-	-
-	-	-	-

www.fciconnect.com		surface ISO 1302 ✓	tolerance std ISO 406 ISO 1101	projection mm
TOLERANCES UNLESS OTHERWISE SPECIFIED				
Dr	JOHN SLEEBA	1994/05/09	ANGULAR	0.X ±0.1
Eng	GEORGE VJ	1994/05/09	LINEAR	0.XX ±0.1
Chr	GEORGE VJ	2005/07/27	0.XX* ±1*	0.XXX ±0.1
Appr	KVSD	2005/07/27	Product family	D-SUB
title SOCKET CONNECTOR DELTA D WITH SCREWLOCK, HARPOON, METAL BRACKET				size A3
catalog no DELTA-D				Scale 1:1
title SOCKET CONNECTOR DELTA D WITH SCREWLOCK, HARPOON, METAL BRACKET				ECN -
catalog no DELTA-D				Spec ref -
FCI			dwg no C01-8646-0247	Rev. D
FCI			CUSTOMER	sheet 1 of 1

REV F - 2006-04-17