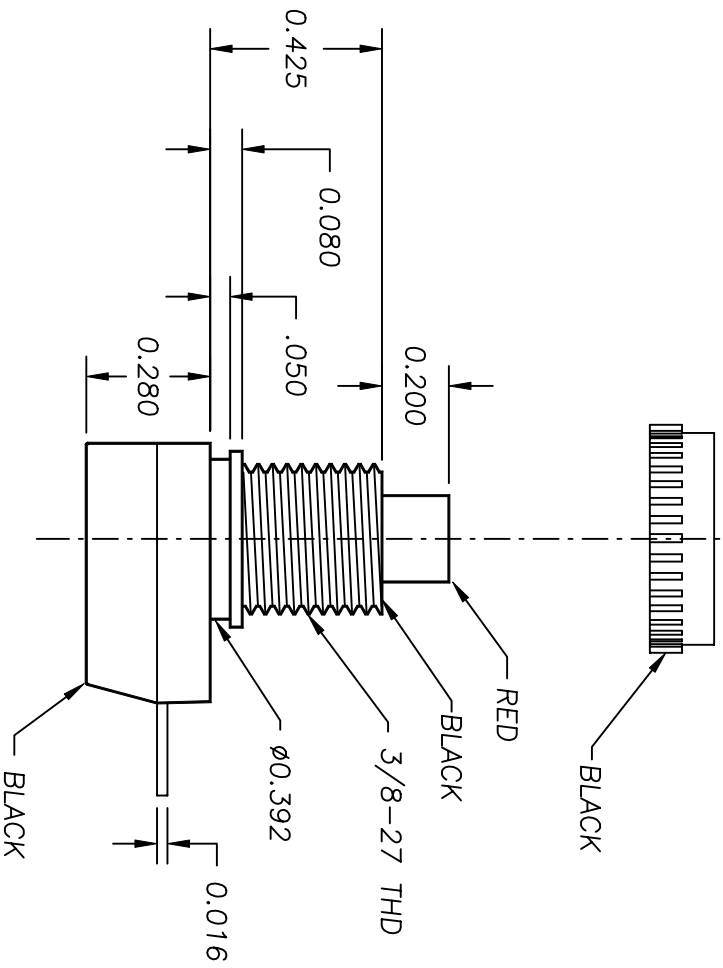
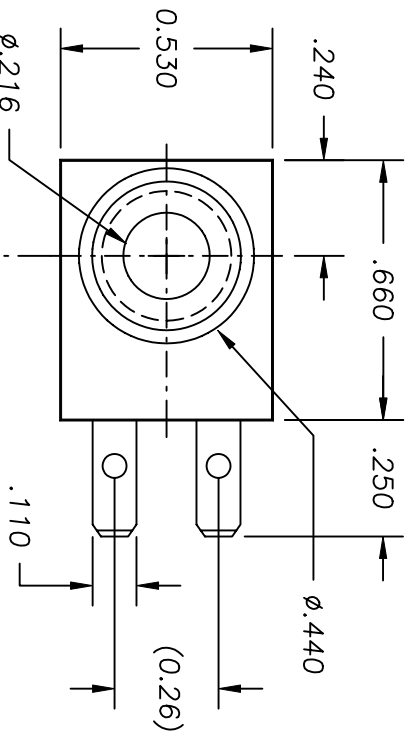



LTR	EN	DESCRIPTION	APPR	BY	DATE
A	-	INITIAL RELEASE	RB	EM	2-04-04
A1	-	CORRECTED SWITCH TYPE FUNCTION	MT	NH	1-13-09



JUDCO INVENTORY NO. 40-1880-02
 SWITCH TYPE: NORMALLY CLOSED, MOMENTARY OPEN
 NUTS PACKED SEPARATELY

CUSTOMER:
 CUST. PN:
 APPROVED BY: _____
 DATE: _____

DIMENSIONS IN INCHES DIMENSIONS ARE REFERENCE		 HARBOR CITY CALIFORNIA	
DRAWN: EM	02-04-04	DWG. NO.	1415-561
APPR: KJ	02-04-04	TITLE	OUTLINE
ENG: IS	1-13-09		J-188A-3
1415US61A1.DWG		SHEET	1 OF 1

This document embodies a product, component, and/or design proprietary to JUDCO MANUFACTURING INC., and which is protected either as a trade secret, by U.S. Patent, or by copyright. It may not be used in any way without written express consent of JUDCO MANUFACTURING INC.