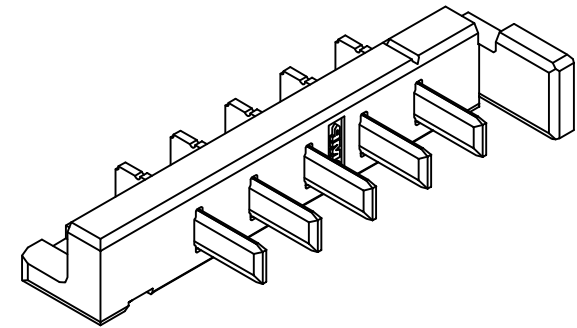
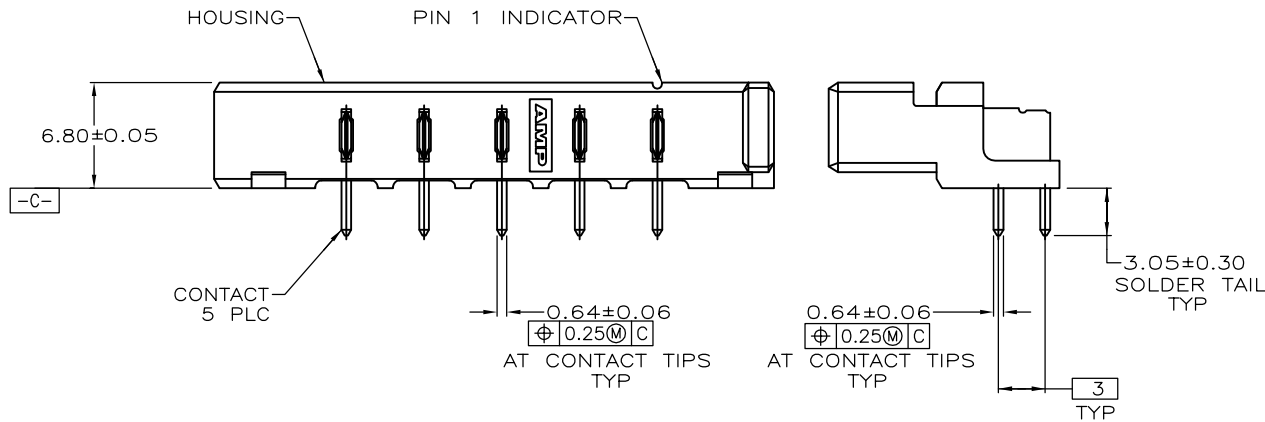
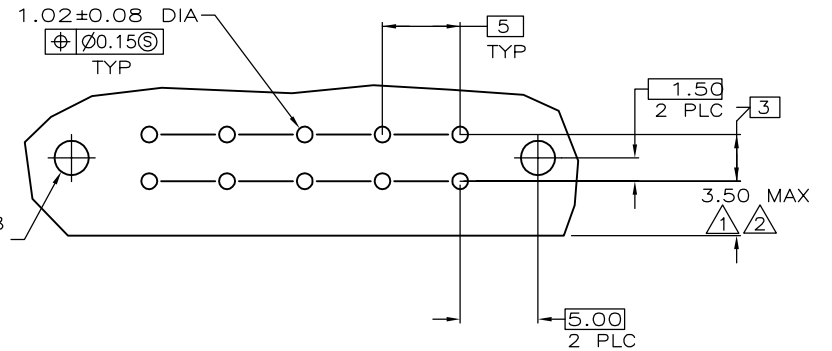
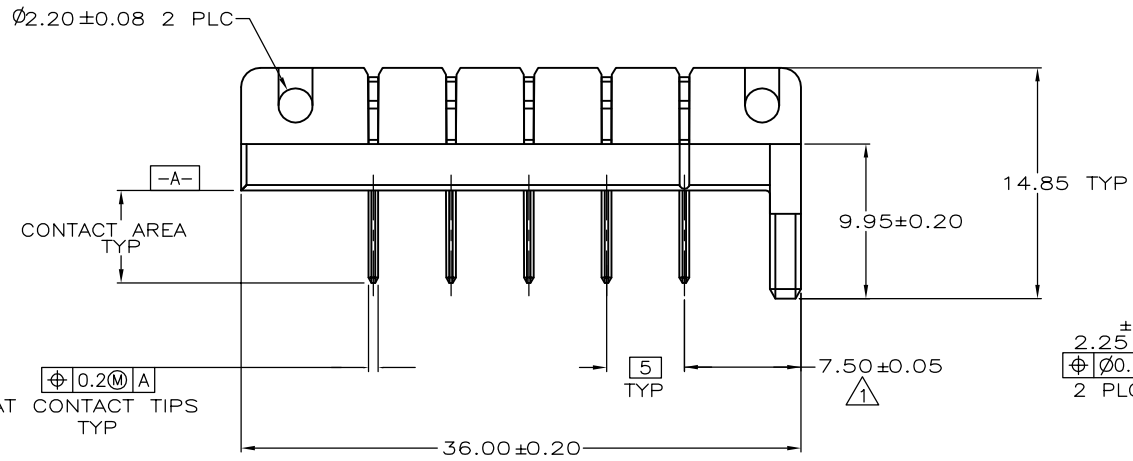


| P | LTR | DESCRIPTION | DATE | DWN | APVD |
|---|-----|------------------------|---------|-----|------|
| 0 | | RELEASED ECR-05-001438 | 29MAR05 | J.Z | I.E |



P/N: 5787366-1

- ⚠ COORDINATE DIMENSION APPLIES FROM CENTER OF ACTUAL FEATURE.
- ⚠ DIMENSION CAN BE EXCEEDED FOR APPLICATIONS WHERE FINAL MATED POSITION OF PACK IS ABOVE TOP SURFACE OF PCB.
- ⚠ HOUSING: LCP, COLOR BLACK; CONTACTS: BRASS
- ⚠ CONTACTS: 2.54um MIN TIN ON SOLDER TAIL OVER 1.90um MIN NICKEL ALL OVER.

| | | | | |
|----------------------------------------|------------|------------------------|-----------------------------------------------------------------------------|------------------------------|
| THIS DRAWING IS A CONTROLLED DOCUMENT. | | DWN R.S.KLINE 1-5-95 | Tyco Electronics Corporation Shanghai PRC | |
| DIMENSIONS: mm | | CHK R.S. KLINE 1-9-95 | | |
| TOLERANCES UNLESS OTHERWISE SPECIFIED: | | APVD R.S. KLINE 1-9-95 | NAME | |
| 0 PLC ± - | 1 PLC ± - | PRODUCT SPEC | HEADER ASSEMBLY, RIGHT ANGLE, RIGHT VOLTAGE KEY, 12V, BATTERY INTERCONNECTS | |
| 2 PLC ± 0.10 | 3 PLC ± - | APPLICATION SPEC | SIZE A3 | CAGE CODE 00779 |
| 4 PLC ± - | ANGLES ± - | WEIGHT - | DRAWING NO C-5787366 | RESTRICTED TO - |
| MATERIAL ⚠ | FINISH ⚠ | CUSTOMER DRAWING | | SCALE 3:1 SHEET 1 OF 1 REV 0 |