

4

3

2

1

THIS DRAWING IS UNPUBLISHED.

RELEASED FOR PUBLICATION

© COPYRIGHT - BY TYCO ELECTRONICS CORPORATION.

ALL RIGHTS RESERVED.

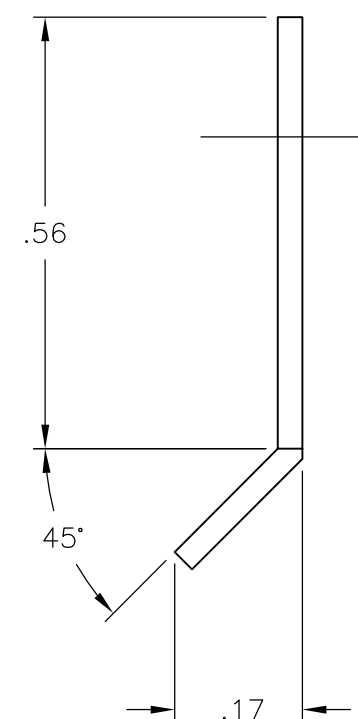
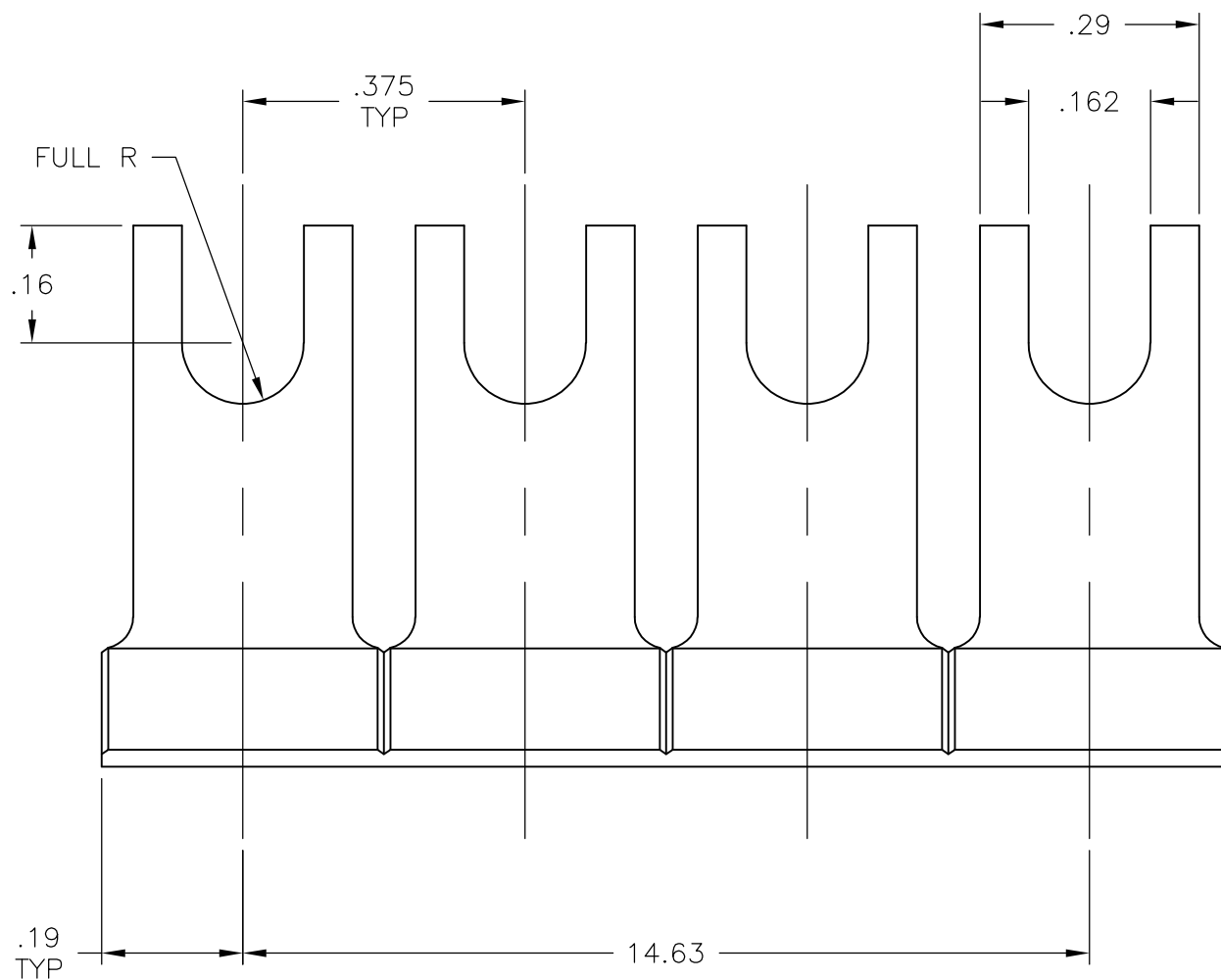
LOC FT DIST 0

REVISIONS

| P | LTR | DESCRIPTION | DATE | DWN | APVD |
|---|-----|-------------|----------|-----|------|
| | A | - | 11/20/07 | SS | SRY |

NOTES:

- ① MATERIAL: .032 THK BRASS, 1/2 HARD.
- ② FINISH: .0002 MIN THK BRIGHT TIN OVER .0001 MIN THK COPPER.
- 3. PART CONTAINS 40 BREAK-AWAY POSITIONS.



| | |
|-------------|-------------|
| J6140 | 5-1437418-4 |
| CATALOG NO. | PART NUMBER |

| | | | | | |
|---|--|-------------------------|---|-----------------|--------------------------|
| THIS DRAWING IS A CONTROLLED DOCUMENT. | | DWN S SCHLEGEL 11/20/07 | Tyco Electronics Corporation Harrisburg, PA 17105-3608 | | |
| DIMENSIONS: INCHES | | CHK C WARNER 11/20/07 | | | |
| TOLERANCES UNLESS OTHERWISE SPECIFIED: | | APVD C WARNER 11/20/07 | NAME 3/8 AROUND BARRIER SPADE TYPE JUMPER | | |
| 0 PLC ± - 1 PLC ± - 2 PLC ± .01 3 PLC ± .005 4 PLC ± - ANGLES ± 1° | | PRODUCT SPEC - | RESTRICTED TO - | | |
| MATERIAL - ① | | APPLICATION SPEC - | SIZE A3 | CAGE CODE 00779 | DRAWING NO C-5-1437418-4 |
| FINISH - ② | | WEIGHT - | SCALE 4:1 | | SHEET 1 OF 1 |
| CUSTOMER DRAWING | | | REV A | | |