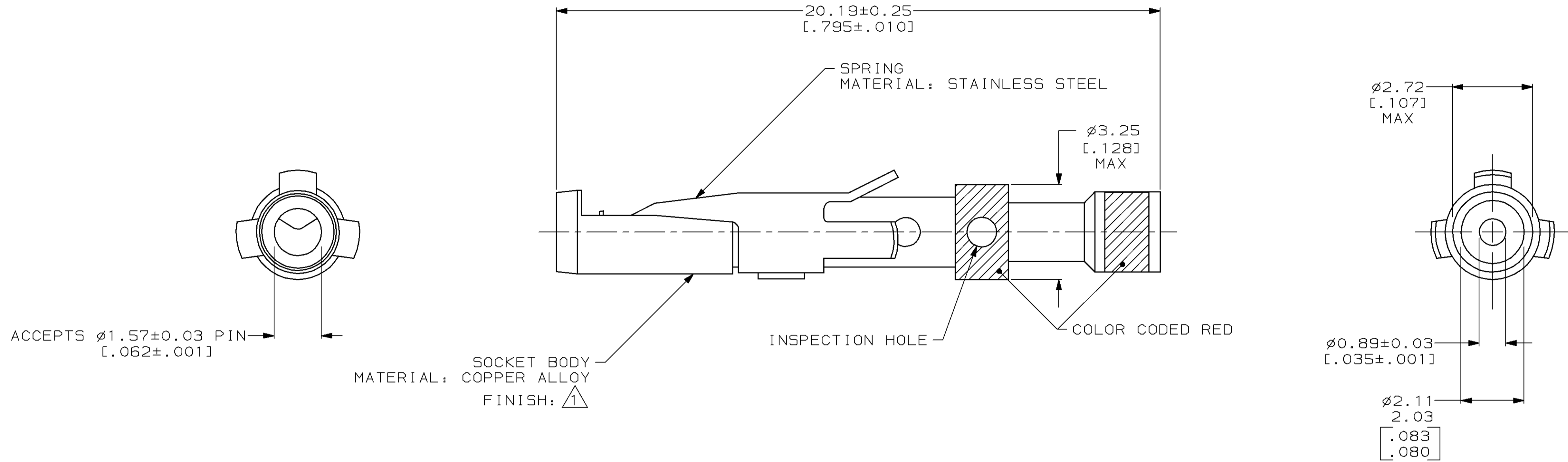


THIS DRAWING IS UNPUBLISHED. RELEASED FOR PUBLICATION
 BY AMP INCORPORATED. ALL RIGHTS RESERVED.

Loc		DIST		REVISIONS			
P	LTR	DESCRIPTION		DATE	DWN	APVD	
FT	8	U		REDRAWN W/O CHANGE PER EC 0320-98-96	20 NOV 97	-	-



SOCKET BODY
 MATERIAL: COPPER ALLOY
 FINISH: Δ

Δ 0.76 μ m [0.00030] MIN GOLD OVER 1.27 μ m [0.00050] MIN NICKEL.

201332-1
 PART NUMBER

THIS DRAWING IS A CONTROLLED DOCUMENT.		DWN B. CARBO 20 NOV 97	AMP Incorporated Harrisburg, PA 17105-3608	
DIMENSIONS: mm [INCHES]		CHK R. STONE 09 DEC 97	NAME G. STEINHAUER	
TOLERANCES UNLESS OTHERWISE SPECIFIED:		APVD G. STEINHAUER 16 DEC 97	PRODUCT SPEC	
0 PLC ±-		APPLICATION SPEC	RESTRICTED TO	
1 PLC ±-		WEIGHT	SIZE	CAGE CODE
2 PLC ±0.13 [0.005]			A2	00779
3 PLC ±-			SCALE	SHEET
4 PLC ±-			10:1	1 OF 1
ANGLES ±-			REV	U
FINISH		CUSTOMER DRAWING		
SEE CALLOUTS		DRAWING NO 201332		

201332