

MICRO SWITCH
a Honeywell Division

FED. MFG. CODE 91929

SWITCH - BASIC

CATALOG LISTING

YA-2RQ1250-A2

ADG9219

CATALOG LISTING

YA-2RQ1250-A2

PAGE 1 OF 1

M

ISSUE 5

REPLACES X114681-YA

RELEASE NO. 207278

CHECK

01OCT09

CMH

CMH

CMH

CMH

CMH

CMH

CMH

CMH

CMH

CMH

CMH

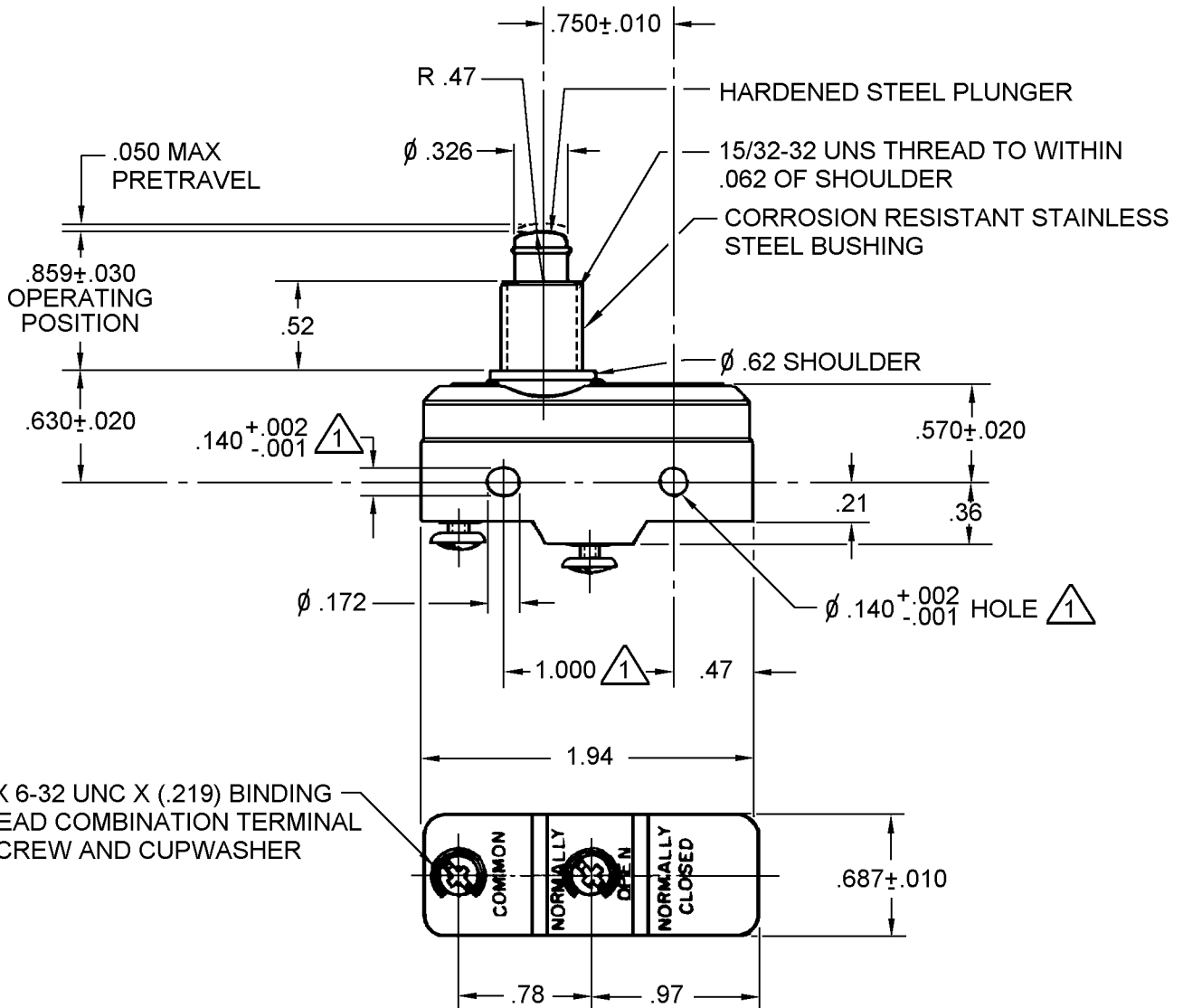
CMH

CMH

CMH

CMH

CMH



2X 6-32 UNC X (.219) BINDING HEAD COMBINATION TERMINAL SCREW AND CUPWASHER

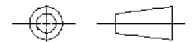
NOTES

- ① MOUNTING HOLES WILL ACCEPT PINS OR SCREWS OF $\phi .139$ MAX ON $1.000 \pm .002$ CENTERS
- 2 - HIGH TEMPERATURE PHENOLICS
- 3 - SWITCH WILL WITHSTAND TEMPERATURE OF 250°F

ANSI Y14.5M-1982 APPLIES

THIS DRAWING COVERS A PROPRIETARY ITEM AND IS THE PROPERTY OF MICRO SWITCH, A DIVISION OF HONEYWELL. THIS DRAWING IS NOT TO BE COPIED OR USED WITHOUT THE APPROVAL OF MICRO SWITCH.

THIRD ANGLE PROJECTION



CHARACTERISTICS	ELECTRICAL DATA	SCALE FULL	DO NOT SCALE PRINT
OPERATING FORCE ----- 14 - 22 OZ	CONTACT ARRANGEMENT	UNLESS OTHERWISE SPECIFIED TOLERANCES ARE	
RELEASE FORCE ----- 10 OZ MIN	S P N O		
DIFFERENTIAL TRAVEL ----- .002 - .0075	L23 20A 125, 250 OR 480 VAC	ONE PLACE (.0) ±.030	
OVERTRAVEL ----- .219 MIN	10A 125 VAC "L"	TWO PLACE (.00) ±.015	
	1HP 125 VAC, 2HP 250 VAC	THREE PLACE (.000) ±.005	
	1/2A 125 VDC, 1/4A 250 VDC	ANGLES ±	
	L288	WEIGHT	
	L308		
	L315		
	L319		
	20(3)A 250V T85 5E4		



RASTER

DRAWN

CSL 27 JAN 03