



IS480P

DESCRIPTION

The IS480P High Speed Photocoupler contains a AlGaAs LED and Photo detector with built-in Schmitt Trigger to provide logic-compatible waveforms, eliminating the need for additional wave shaping.

The totem pole output eliminates the need for a pull up resistor and allows for direct Intelligent Power Module Drive or Gate Drive. Minimized Propagation Delay difference between devices makes this photocoupler excellent solutions for improving inverter efficiency through reduced switching dead time.

The device is in Stretched SO6 package.

FEATURES

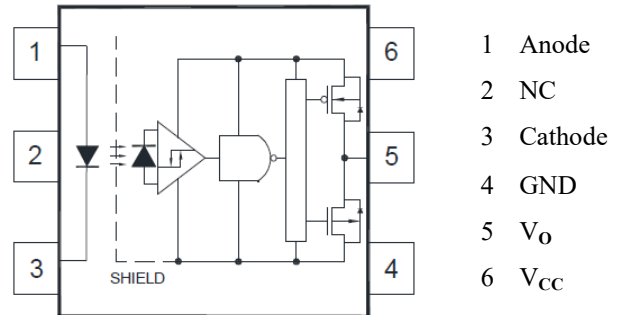
- Totem Pole Output
- Wide Operating Voltage Range
 V_{CC} 4.5V to 30V
- Operating Temperature Range
- 40°C to +105°C
- Performance specified for Common IPM Applications over Industrial Temperature range.
- Maximum Propagation Delays
 $t_{PLH} / t_{PHL} : 200ns / 220ns$
- Propagation Delay Difference
Min / Max : -210ns / 210ns
- Maximum Pulse Width Distortion
PWD : 120ns
- Hysteresis
- 20kV/ μs Minimum Common Mode Rejection at V_{CM} 1500V
- Lead Free and RoHS Compliant
- Safety Approvals Pending

APPLICATIONS

- Isolated IGBT/MOSFET Gate Drive
- IPM Interface Isolation
- Industrial Inverters
- AC Brushless and DC Motor Drives
- Digital Isolation

ORDER INFORMATION

- Supply in Tape & Reel



A 0.1 μF bypass Capacitor must be connected between Pins 6 and 4.

ABSOLUTE MAXIMUM RATINGS ($T_A = 25^\circ C$)

Stresses exceeding the absolute maximum ratings can cause permanent damage to the device. Exposure to absolute maximum ratings for long periods of time can adversely affect reliability.

Input

Forward Current	10mA
Forward Peak Current (Pulse Width < 1 μs , 300pps)	1.0A
Reverse Voltage	5V

Output

Output Current	50mA
Output Voltage	-0.5V to 35V
Supply Voltage	35V

Total Package

Isolation Voltage	5000V _{RMS}
Total Power Dissipation	145mW
Operating Temperature	-40 to 105 °C
Storage Temperature	-55 to 125 °C
Lead Soldering Temperature (10s)	260°C

ISOCOM COMPONENTS 2004 LTD

Unit 25B, Park View Road West, Park View Industrial Estate
Hartlepool, Cleveland, TS25 1PE, United Kingdom
Tel: +44 (0)1429 863 609 Fax : +44 (0)1429 863 581
e-mail: sales@isocom.co.uk
<http://www.isocom.com>

ISOCOM COMPONENTS ASIA LTD

Hong Kong Office,
Block A, 8/F, Wah Hing Industrial mansion,
36 Tai Yau Street, San Po Kong, Kowloon, Hong Kong.
Tel: +852 2995 9217 Fax : +852 8161 6292
e-mail sales@isocom.com.hk



IS480P

Truth Table

LED	V _o
ON	HIGH
OFF	LOW

Recommended Operating Conditions

Parameter	Symbol	Min	Max	Unit
Operating Temperature	T _A	- 40	105	°C
Supply Voltage	V _{CC}	4.5	30	V
Input Current (ON)	I _{F(ON)}	1.6	5	mA
Input Voltage (OFF)	V _{F(OFF)}		0.8	V

Note :

- 1: Photo Detector requires a V_{CC} of 4.5 V or higher for stable operation as output might be unstable if V_{CC} is lower than 4.5 V.
- 2: The initial switching threshold is 1.6 mA or less. It is recommended that 2.2 mA be used to permit a guard band.



IS480P

ELECTRICAL CHARACTERISTICS (Over Recommended Operating Conditions,
 $V_{CC} = 4.5V$ to $30V$, $I_{F(ON)} = 1.6mA$ to $5mA$, $V_{F(OFF)} = 0V$ to $0.8V$,
 $T_A = -40^{\circ}C$ to $105^{\circ}C$, unless otherwise specified.
 Typical Values at $T_A = 25^{\circ}C$)

INPUT

Parameter	Symbol	Test Condition	Min	Typ.	Max	Unit
Forward Voltage	V_F	$I_F = 5mA$	1.2	1.33	1.6	V
Forward Voltage Temperature Coefficient	$\Delta V_F/\Delta T$	$I_F = 5mA$		-1.237		mV/ $^{\circ}C$
Reverse Voltage	V_R	$I_R = 10\mu A$	5			V
Input Threshold Current (Low to High)	I_{FLH}			0.7	1.5	mA
Input Threshold Voltage (High to Low)	V_{FHL}		0.8			V
Input Capacitance	C_{IN}	$V_F = 0V$, $f = 1MHz$		33		pF

OUTPUT

Parameter	Symbol	Test Condition	Min	Typ.	Max	Unit
High Level Supply Current	I_{CCH}	$V_{CC} = 5.5V$, $I_F = 5mA$ $I_O = 0mA$			3.0	mA
		$V_{CC} = 30V$, $I_F = 5mA$ $I_O = 0mA$		1.9	3.0	
Low Level Supply Current	I_{CCL}	$V_{CC} = 5.5V$, $V_F = 0V$ $I_O = 0mA$			3.0	mA
		$V_{CC} = 30V$, $V_F = 0V$ $I_O = 0mA$		2.0	3.0	
High Level Short Circuit Output Current	I_{OSH}	$V_{CC} = 5.5V$, $I_F = 5mA$, $V_O = GND$ Duration $< 500\mu s$			-160	mA
		$V_{CC} = 20V$, $I_F = 5mA$, $V_O = GND$ Duration $< 500\mu s$			-200	
Low Level Short Circuit Output Current	I_{OSL}	$V_O = V_{CC} = 5.5V$, $V_F = 0V$ Duration $< 500\mu s$	160			mA
		$V_O = V_{CC} = 20V$, $V_F = 0V$ Duration $< 500\mu s$	200			
High Level Output Voltage	V_{OH}	$I_{OH} = -6.5mA$	$V_{CC} - 0.5$	$V_{CC} - 0.025$		V
Low Level Output Voltage	V_{OL}	$I_{OL} = 6.5mA$		0.015	0.5	V



IS480P

ELECTRICAL CHARACTERISTICS (Over Recommended Operating Conditions,
 $V_{CC} = 4.5V$ to $30V$, $I_{F(ON)} = 1.6mA$ to $5mA$, $V_{F(OFF)} = 0V$ to $0.8V$,
 $T_A = -40^{\circ}C$ to $105^{\circ}C$, unless otherwise specified.
 Typical Values at $T_A = 25^{\circ}C$)

SWITCHING

Parameter	Symbol	Test Condition	Min	Typ.	Max	Unit
Propagation Delay Time to High Output Level	t_{PLH}	$V_F = 0V \rightarrow I_{F(ON)} = 1.6mA$ $C_L = 100pF$		120	200	ns
Propagation Delay Time to Low Output Level	t_{PHL}	$I_{F(ON)} = 1.6mA \rightarrow V_F = 0V$ $C_L = 100pF$		130	220	
Pulse Width Distortion $ t_{PHL} - t_{PLH} $ for any given device	PWD	$C_L = 100pF$			120	
Propagation Delay Difference ($t_{PHL} - t_{PLH}$) between any two devices	PDD	$C_L = 100pF$	-210		210	
Output Rise Time (10% to 90%)	t_r			35		
Output Fall Time (90% to 10%)	t_f			35		
Common Mode Transient Immunity at High Output Level	CM_H	$I_F = 6.0mA$ $V_{CC} = 5V$ $V_{CM} = 1500V$ $T_A = 25^{\circ}C$	20			kV/ μs
Common Mode Transient Immunity at Low Output Level	CM_L	$V_F = 0V$ $V_{CC} = 5V$ $V_{CM} = 1500V$ $T_A = 25^{\circ}C$	20			kV/ μs

Note :

1. A 0.1 μF or bigger bypass capacitor must be connected across pin 6 and pin 4.
2. t_{PLH} propagation delay is measured from the 50% point on the leading edge of the input pulse to the 1.3 V point on the leading edge of the output pulse.
 t_{PHL} propagation delay is measured from the 50% point on the trailing edge of the input pulse to the 1.3 V point on the trailing edge of the output pulse.
3. PDD is the difference of t_{PHL} and t_{PLH} between any two devices under same test conditions.
4. CM_H , Common Mode Transient Immunity in High stage is the maximum tolerable slew rate of the common mode impulse signal, V_{CM} , to assure that the output will remain high ($V_O > 2V$). Equal value split resistors must be used at both ends of the LED.
5. CM_L , Common Mode Transient Immunity in Low stage is the maximum tolerable slew rate of the common mode impulse signal, V_{CM} , to assure that the output will remain low ($V_O < 0.8V$). Equal value split resistors must be used at both ends of the LED.



IS480P

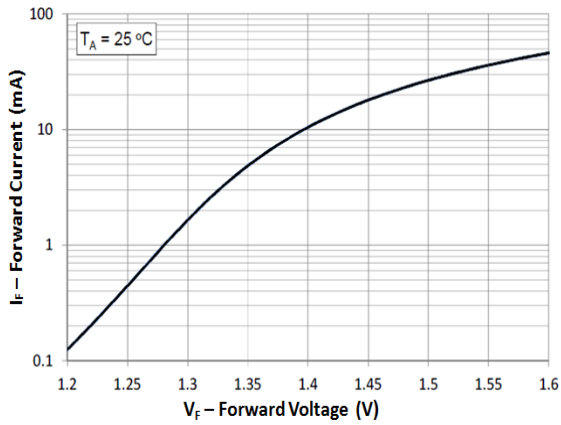


Fig 1 Forward Current vs Forward Voltage

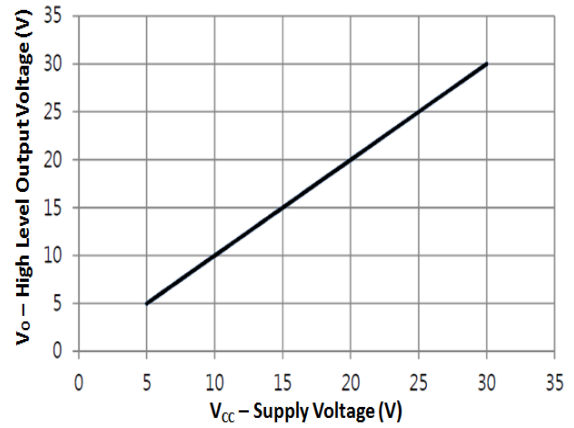


Fig 2 High Level Output Voltage vs Supply Voltage

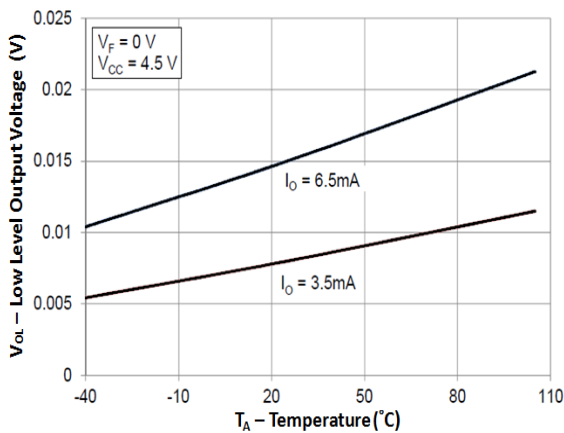


Fig 3 Low Level Output Voltage vs Ambient Temperature

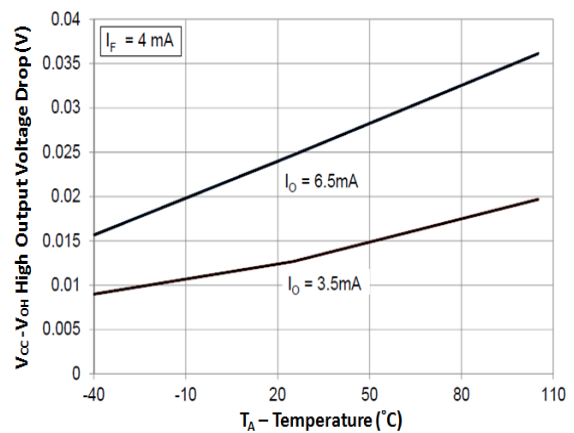


Fig 4 High Level Output Voltage Drop vs Ambient Temperature

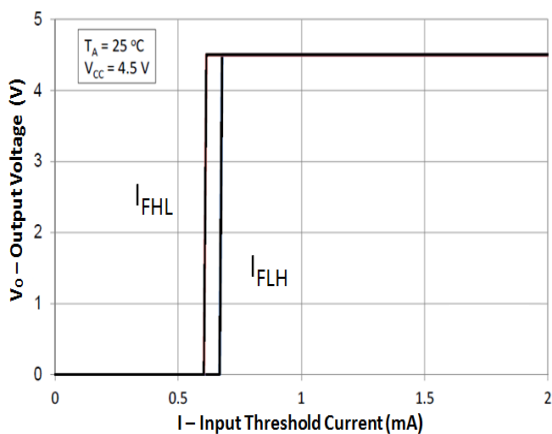


Fig 5 Hysteresis - Output Voltage vs Input Threshold Current

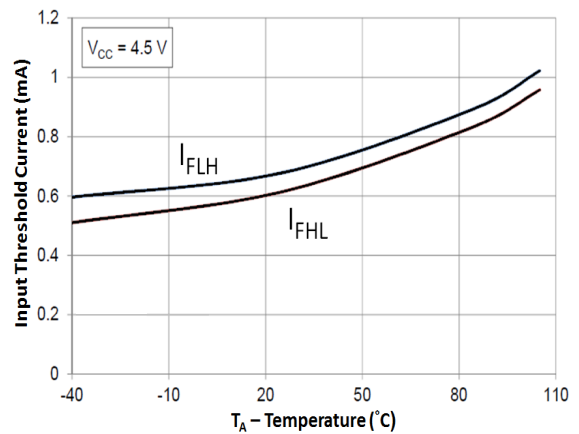


Fig 6 Input Threshold Current vs Ambient Temperature



IS480P

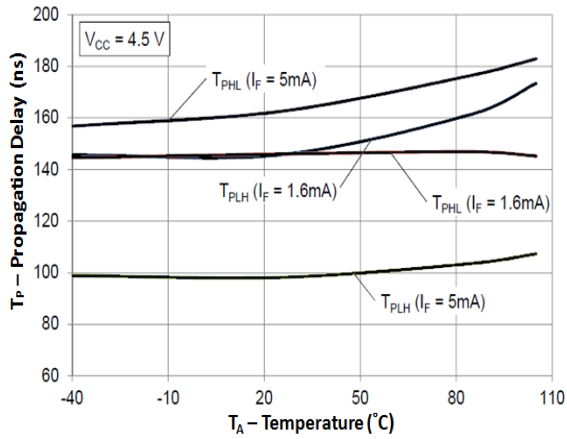


Fig 7 Propagation Delay vs Ambient Temperature at V_{CC} 4.5V

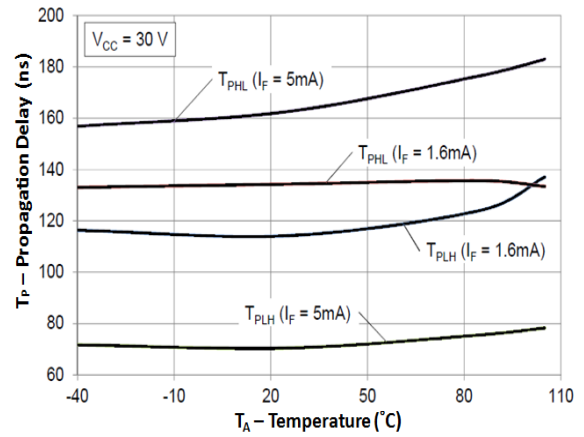


Fig 8 Propagation Delay vs Ambient Temperature at V_{CC} 30V

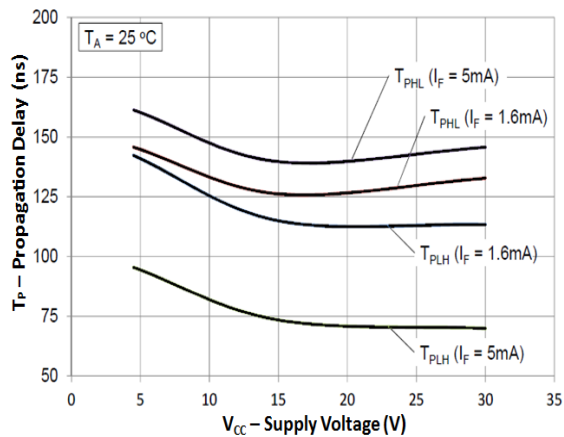
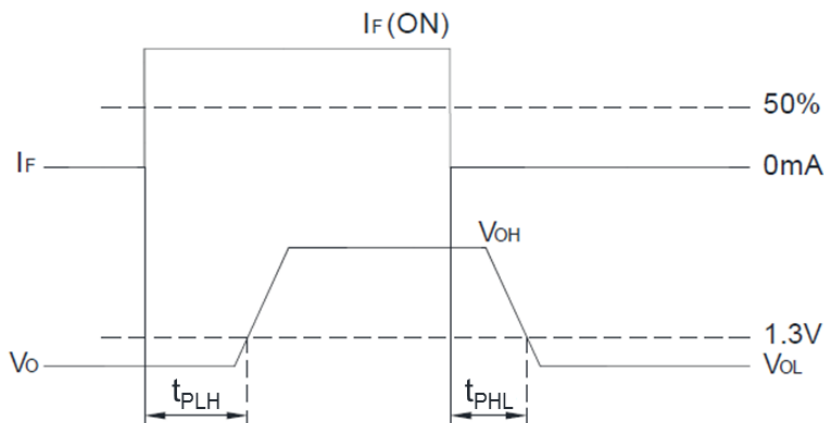
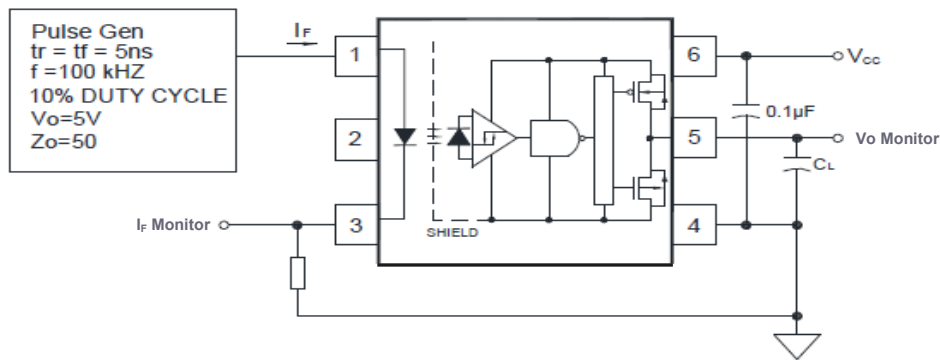
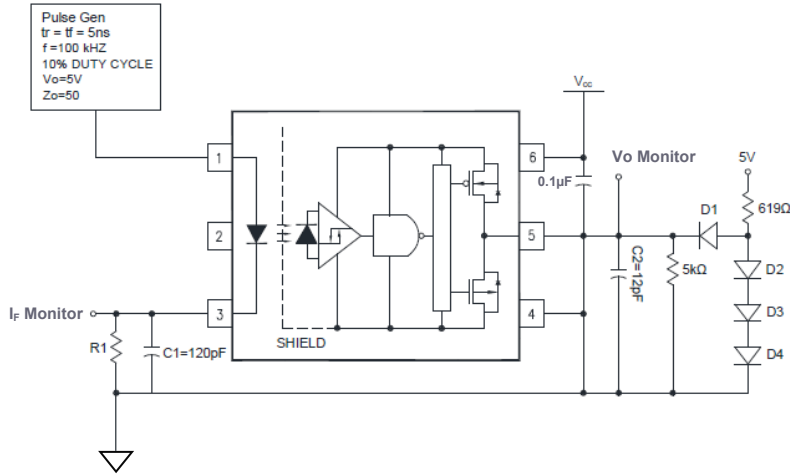


Fig 9 Propagation Delay vs Supply Voltage



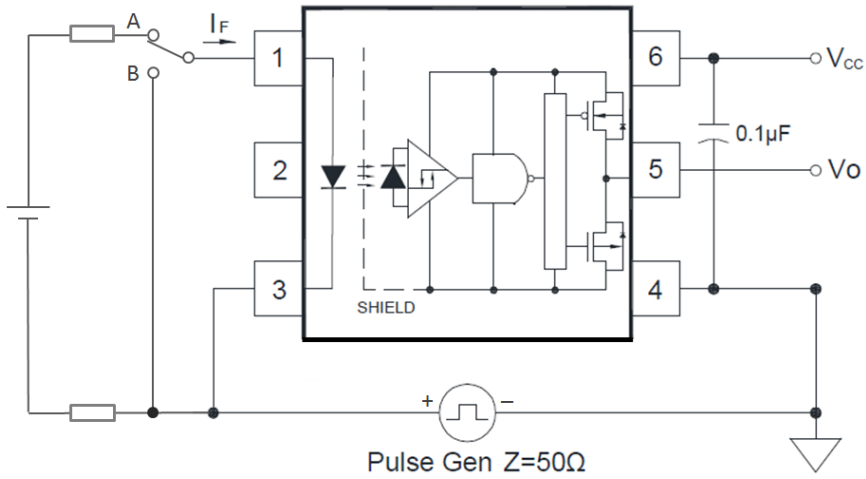
IS480P



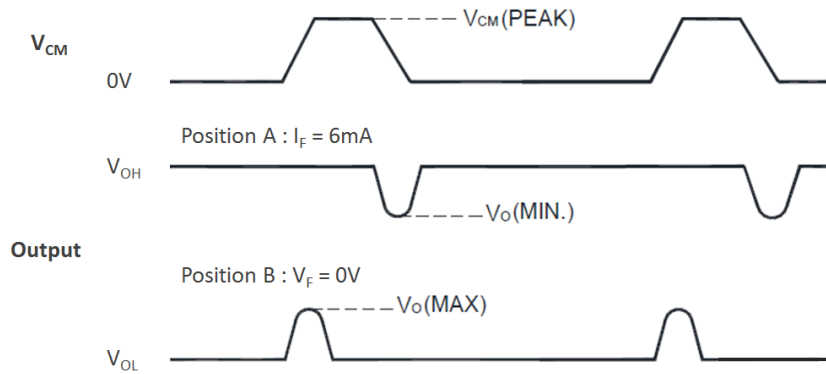
t_r , t_b , t_{PLH} and t_{PHL} Test Circuit and Waveform



IS480P



Equal value split resistors must be used at both ends of the LED.



CMR Test Circuit and Waveform



ISOCOM
COMPONENTS

IS480P

ORDER INFORMATION

IS480P			
After PN	PN	Description	Packing quantity
None	IS480P	Stretched SO6	1000 pcs per reel

DEVICE MARKING

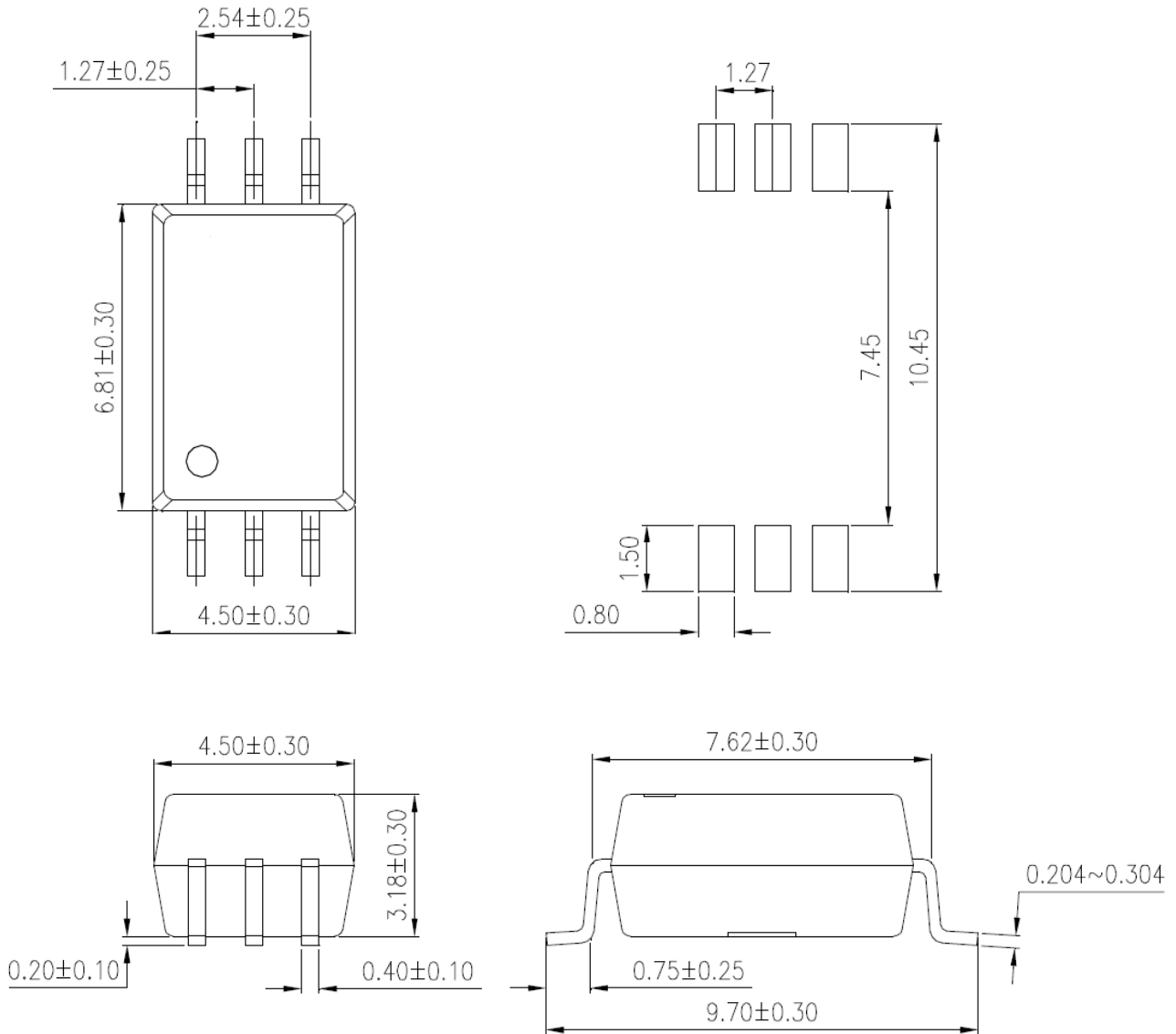


480P denotes Device Part Number
YY denotes 2 digit Year code
WW denotes 2 digit Week code



IS480P

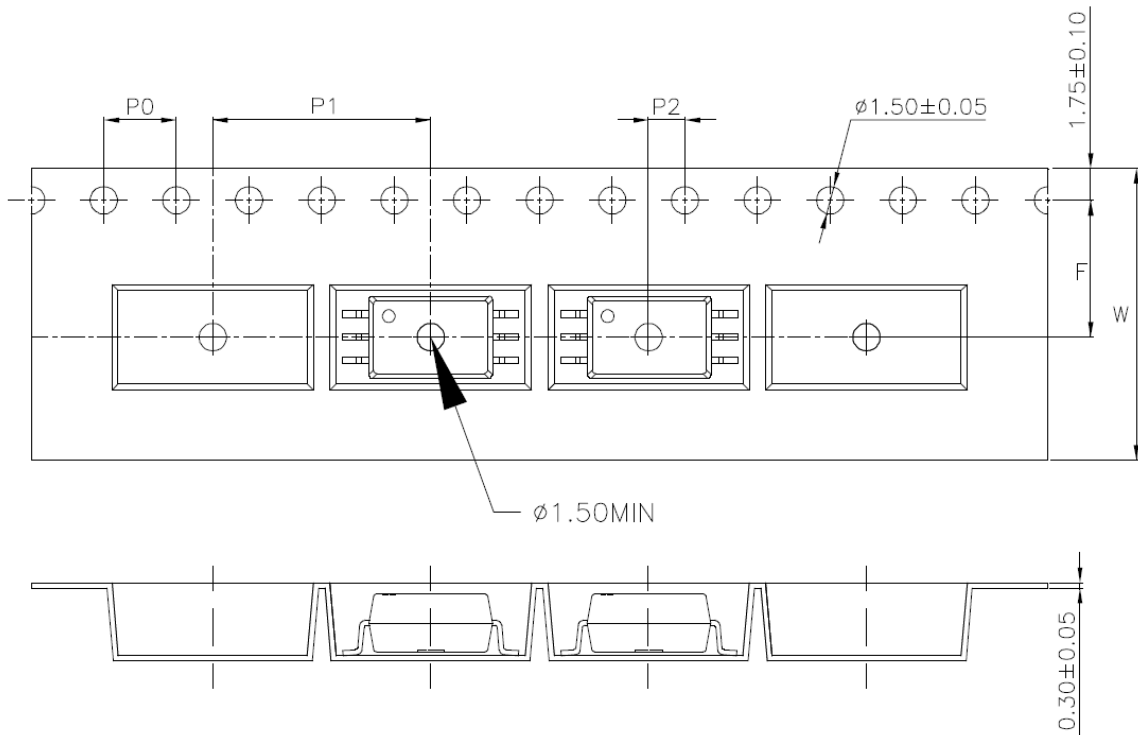
PACKAGE DIMENSIONS and Recommended PCB Pad Layout in mm (inch)





IS480P

TAPE AND REEL PACKAGING

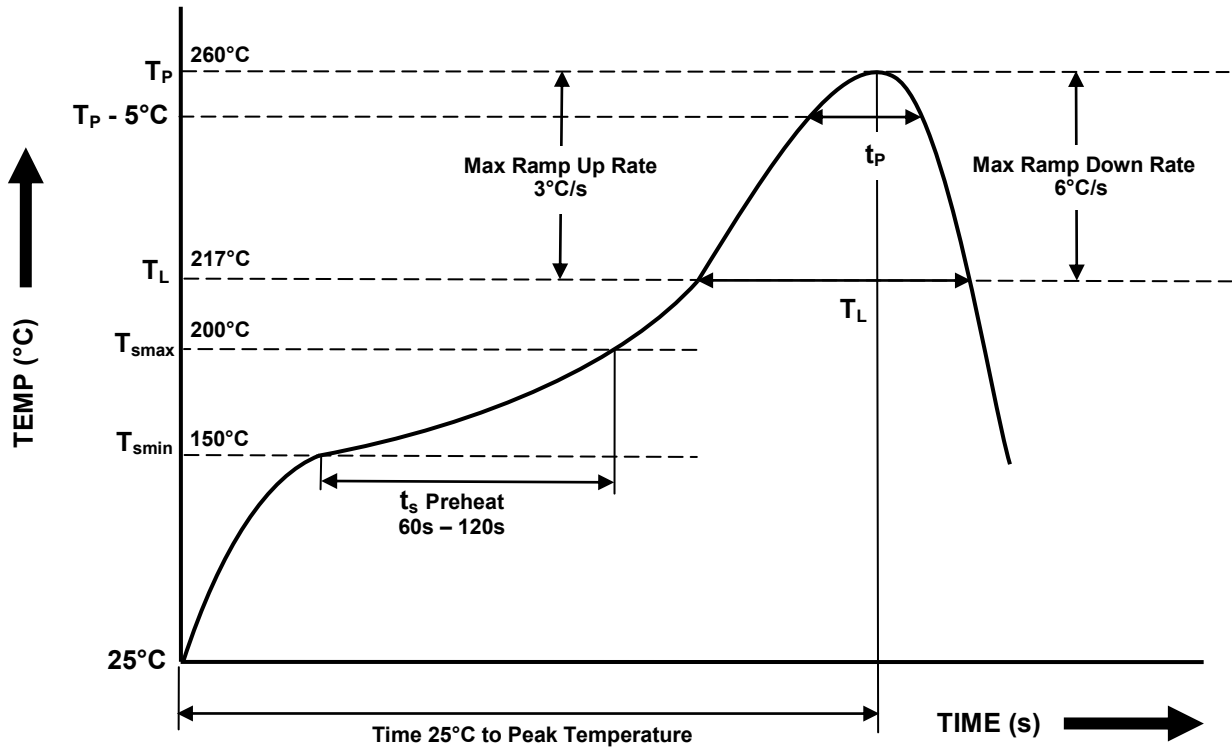


Description	Symbol	Dimension mm (inch)
Tape Width	W	16 ± 0.3 (0.63)
Pitch of Sprocket Holes	P ₀	4 ± 0.1 (0.16)
Distance of Compartment to Sprocket Holes	F	7.5 ± 0.1 (0.3)
	P ₂	2 ± 0.1 (0.079)
Distance of Compartment to Compartment	P ₁	12 ± 0.1 (0.47)



IS480P

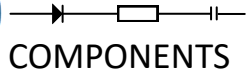
IR REFLOW SOLDERING TEMPERATURE PROFILE
(One Time Reflow Soldering is Recommended)



Profile Details	Conditions
Preheat <ul style="list-style-type: none"> - Min Temperature (T_{SMIN}) - Max Temperature (T_{SMAX}) - Time T_{SMIN} to T_{SMAX} (t_s) 	150°C 200°C 60s - 120s
Soldering Zone <ul style="list-style-type: none"> - Peak Temperature (T_P) - Time at Peak Temperature - Liquidous Temperature (T_L) - Time within 5°C of Actual Peak Temperature ($T_P - 5^\circ\text{C}$) - Time maintained above T_L (t_L) - Ramp Up Rate (T_L to T_P) - Ramp Down Rate (T_P to T_L) 	260°C 10s max 217°C 30s max 60s - 100s 3°C/s max 6°C/s max
Average Ramp Up Rate (T_{smax} to T_P)	3°C/s max
Time 25°C to Peak Temperature	8 minutes max



ISOCOM



COMPONENTS

IS480P

NOTES :

- Isocom is continually improving the quality, reliability, function or design and Isocom reserves the right to make changes without further notices.
- The products shown in this publication are designed for the general use in electronic applications such as office automation equipment, communications devices, audio/visual equipment, electrical application and instrumentation.
- For equipment/application where high reliability or safety is required, such as space applications, nuclear power control equipment, medical equipment, etc., please contact our sales representatives.
- When requiring a device for any "specific" application, please contact our sales for advice.
- The contents described herein are subject to change without prior notice.
- Do not immerse device body in solder paste.

