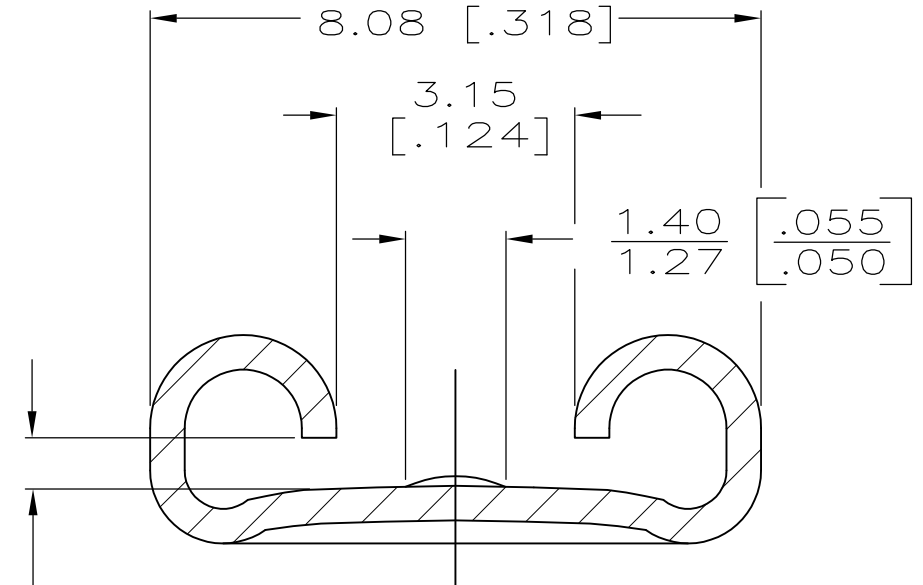
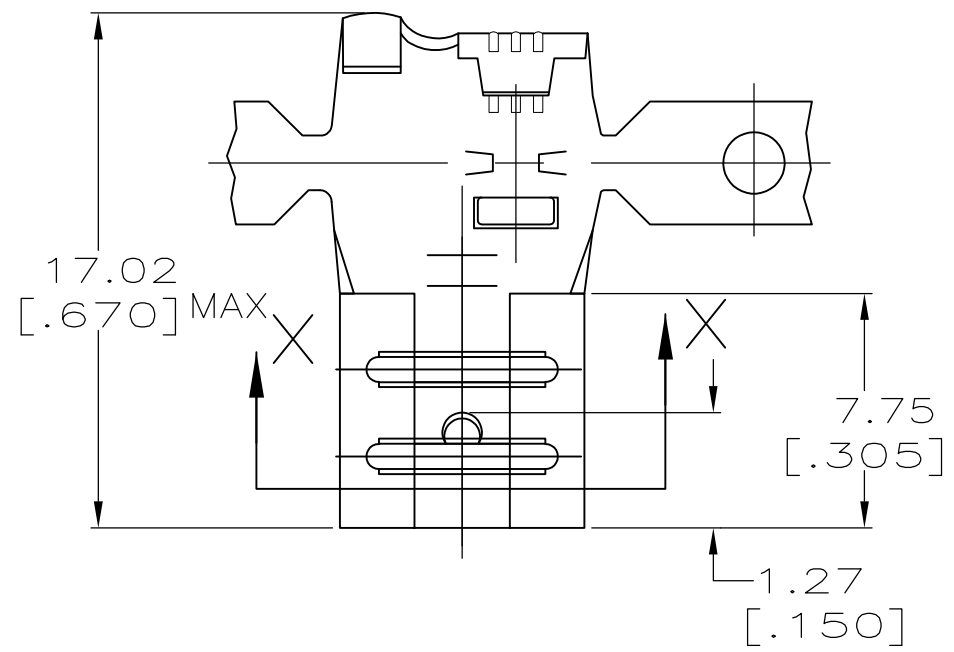


THIS DRAWING IS UNPUBLISHED. RELEASED FOR PUBLICATION  
 © COPYRIGHT - By - ALL RIGHTS RESERVED.

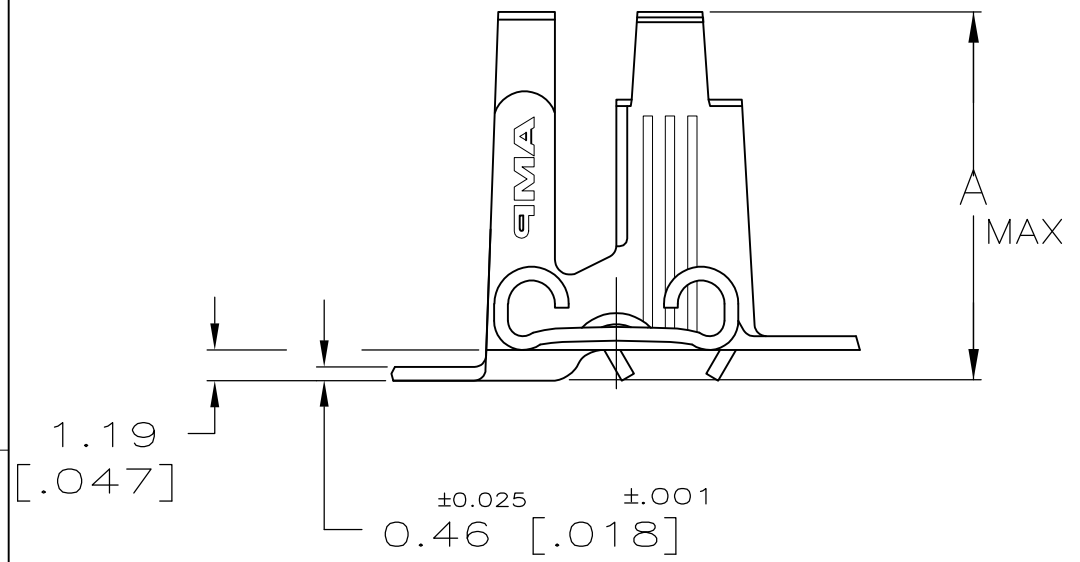
LOC	DIST	REVISIONS					
AF	50	P	LTR	DESCRIPTION	DATE	DWN	APVD
			AD	REVISED PER ECR-11-018063	21DEC11	KH	PD



FITS 6.35 [.250] SERIES FASTON TABS

SECTION X-X  
SCALE 10:1

- 1 CONTINUOUS STRIP ON REELS.
- 2 FOREIGN PRODUCTION ONLY
- 3 SILVER PL 0.00381 [.000150] MIN
- 5 NICKEL PL 0.00381 [.000150] MIN



12.19 [.480]		3.0-5.0mm <sup>2</sup> [12-10] AWG 6000-10600 CMA		NICKEL 5	T2 STEEL	42563-9
				TIN	T3 PHOS BRZ	42563-8
				SILVER 3	T3 PHOS BRZ	42563-6
				SILVER 3	T3 PHOS BRZ	<del>42563-7</del>
				TIN	T3 PHOS BRZ	<del>42563-5</del>
				-	T3 PHOS BRZ	<del>42563-4</del>
				SILVER 3	#4H BRASS	<del>42563-3</del>
				TIN	#4H BRASS	42563-2
				-	#4H BRASS	<del>42563-1</del>
DIM A	INSULATION RANGE	WIRE RANGE	MATING TAB THK ±0.025 [.001]	FINISH	MATERIAL	PART NO

THIS DRAWING IS A CONTROLLED DOCUMENT.

DIMENSIONS: INCHES	TOLERANCES UNLESS OTHERWISE SPECIFIED:	DWN JR RUTH 2/14/91	TE Connectivity
	0 PLC ± - 1 PLC ± - 2 PLC ± 0.38 [.015] 3 PLC ± - 4 PLC ± - ANGLES ± -	CHK P FORTNEY 2/14/91	
		APVD C MEYERS 2/14/91	
		PRODUCT SPEC 2/14/91	
MATERIAL SEE TABLE	FINISH SEE TABLE	APVD D REINER	NAME 0.813 [.032] RECEPTACLE, FASTON, FLAG, 6.35 [.250] SERIES
		APPLICATION SPEC	SIZE A3 CAGE CODE 00779 DRAWING NO C-42563 RESTRICTED TO -
		WEIGHT -	CUSTOMER DRAWING SCALE 4:1 SHEET 1 OF 1 REV AD