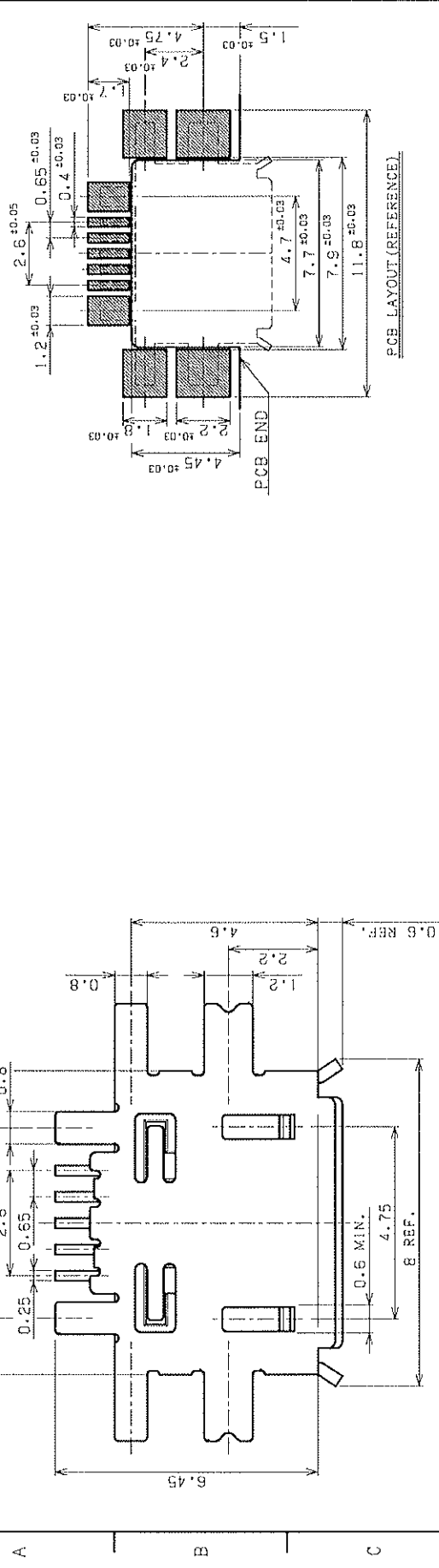
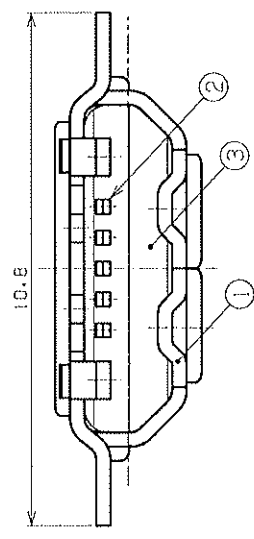
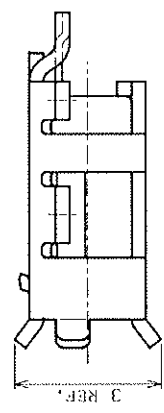
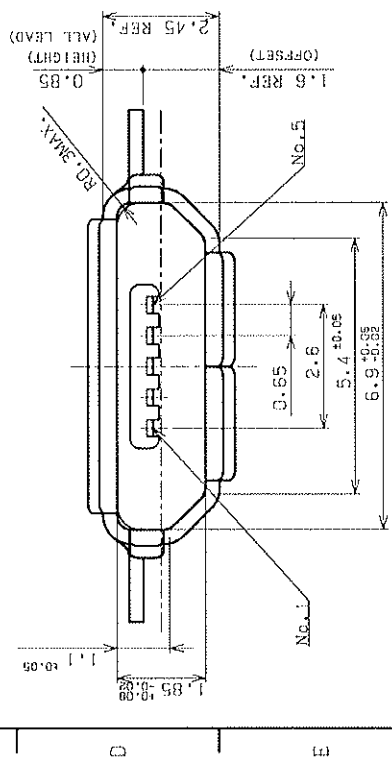


1 2 3 4 5 6 7 8

REV	DESCRIPTION	DATE	DESIGNED
△			



PCB LAYOUT (REFERENCE)



NOTE 1: UNLESS OTHERWISE SPECIFIED TOLERANCE: ±0.3
 2: SURFACE FINISH OF CONTACT:
 OVER ALL : NICKEL UNDER PLATED
 CONTACT POINTS: GOLD PLATED
 SOLDER TAILS: GOLD PLATED
 3: SURFACE FINISH OF SHELL
 OVER ALL : NICKEL UNDER PLATED
 TIN PLATED

3	SHELL	STAINLESS STEEL	NOTE 3	t=0.3	REMARKS
2	CONTACT	COPPER ALLOY	NOTE 2		
1	HOUSING	HEAT RESISTING RESIN	BLACK	UL94V-D	
No.		PART NAME	MATERIAL	SURFACE FINISH	REMARKS
UNIT		SCALE	PROJECTION	DATE	CUSTOMER
A3	METRIC	10:1	①	15. JUN. 2009	
APPROVED	CHECKED	DESIGNED	DRAWN		
S.U		Y.N	Y.N	Y.N	
SERIES		Micro USB Rec. Mid mount Style			
NAME		0.65mm Height (1.6mm offset)			
PART No.		UB-M05BR3-M04-4S NMP			
DRAWING No.		CT7-C0350-220-4			RD

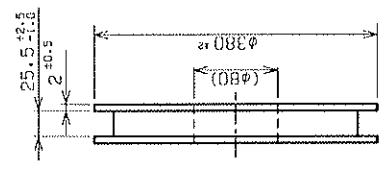
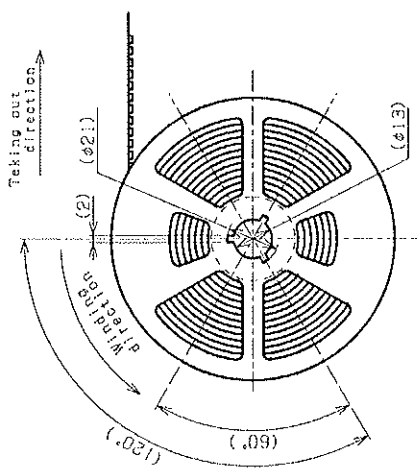
JST J. S. T. MFG. CO., LTD

THIS DRAWING CONTAINS INFORMATION THAT IS PROPRIETARY TO J.S.T. AND SHOULD NOT BE USED WITHOUT WRITTEN PERMISSION.

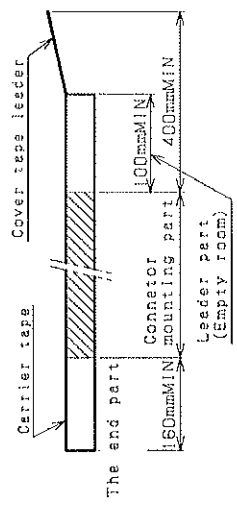
EC4108-2

1 2 3 4 5 6 7 8

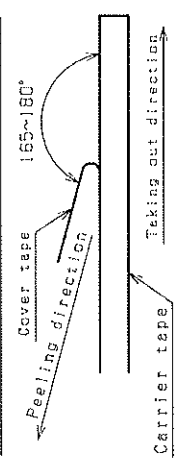
REV	DESCRIPTION	DATE	DESIGNED
△			



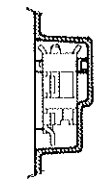
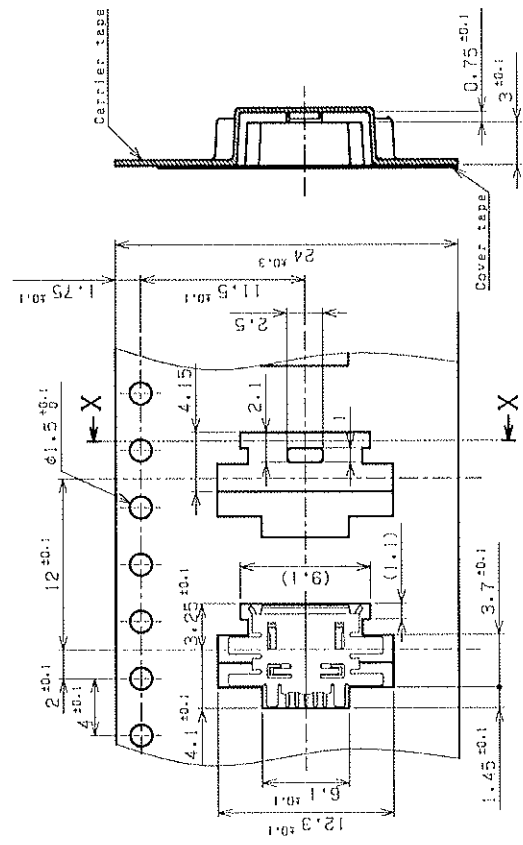
NOTE
 1) Connector part: See the DWG.
 2) Quantity to be packaged: 2000 pcs/reel.
 3) Leading tape length.



4) Cover tape peel strength: 0.1~1N
 Peeling speed: 300mm/min.



5) Material:
 : Carrier tape: Polyester (PET)
 : Cover tape: Polyester (PET)
 : Reel: Flange: Polystyrene (PS)
 Core: Polypropylene (PP)
 : Core: Polystyrene (PS)
 6) Unless otherwise specified tolerance are ± 0.3 .



X-Xsec.

SIZE	UNIT	SCALE	PROJECTION	DATE	CUSTOMER
A3	METRIC	FREE	1st	5.FEB.2010	
APPROVED	CHECKED	DESIGNED	DRAWN		
S.U		Y.N	Y.N		

JST J. S. T. MFG. CO., LTD

SERIES	MicroUSB Receptacle
NAME	Mid mount Type
PART No.	UB-MCSBR3-M04-4S-TB NMP
DRAWING No.	CT7-00350-620-1
RO	RO

THIS DRAWING CONTAINS INFORMATION THAT IS PROPRIETARY TO J.S.T. AND SHOULD NOT BE USED WITHOUT WRITTEN PERMISSION.

EC4109-2