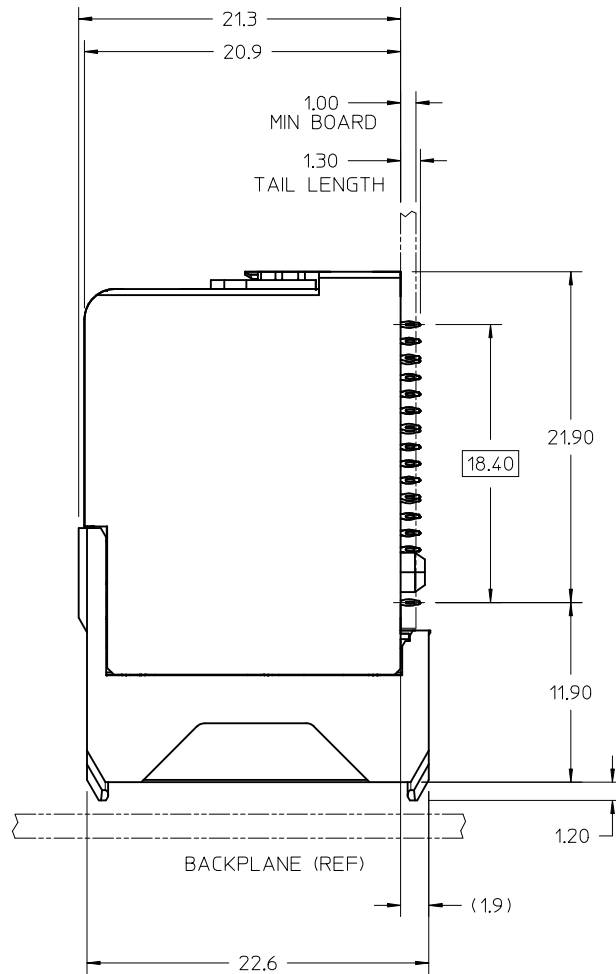
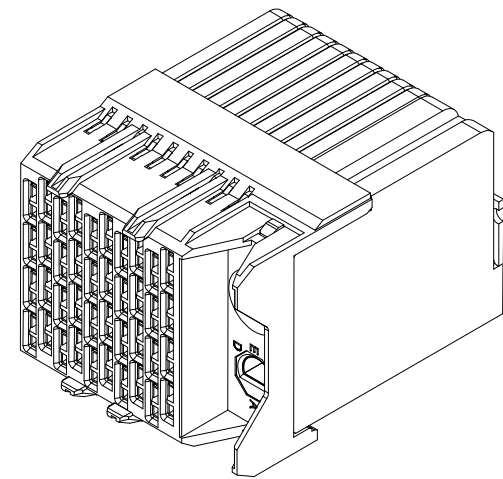


KEY SHOWN IN POSITION "A"



NOTES:

1. MATERIALS: HOUSING - LIQUID CRYSTAL POLYMER (LCP)
GLASS-FILLED, UL94V-0
TERMINALS - HIGH PERFORMANCE COPPER ALLOY
2. FINISH: 30uIN GOLD IN CONTACT AREA.
SELECTIVE TIN ON PCB TAILS.
NICKEL OVERALL.
3. REFER TO MOLEX PRODUCT SPECIFICATION PS-171320-999 FOR PERFORMANCE SPECIFICATIONS.
4. THIS PART CONFORMS TO CLASS B REQUIREMENTS OF MOLEX COSMETIC SPEC PS-45499-002.
5. PRODUCT WILL BE PACKAGED PER PK-78888-085.
6. SEE SHEET 2 FOR HOLE PATTERN DIMENSIONS.
7. MATES WITH IMPEL BP SERIES NUMBER 171315.
8. REFER TO IMPEL PCB ROUTING GUIDE AS-171320-990 FOR ANTIPAD, ROUTING RECOMMENDATIONS, AND ADDITIONAL PCB INFORMATION.
9. WHEN STACKING MODULES END TO END, THE MINIMUM COLUMN TO COLUMN HOLE SPACING IS 2.65mm.
10. WHEN USING THE SUPPLIED 2-32 THREAD FORMING SCREW, (P/N 73726-0000), THE MAXIMUM RECOMMENDED BOARD THICKNESS IS 4.4mm.



RELEASE FOR PROD EC NO: UCP2014-5067 DRWN: JLAURX 2014/06/02 CHKD: JLAURX 2014/06/06 APPR: BINGHAM 2014/06/06	QUALITY SYMBOLS ▽ = 0 ▽ = 0 ▽ = 0	GENERAL TOLERANCES (UNLESS SPECIFIED)		DIMENSION STYLE MM ONLY	SCALE 4:1	DESIGN UNITS METRIC	THIRD ANGLE PROJECTION	
		4 PLACES ± --- ± ---	3 PLACES ± --- ± ---	DRAWN BY JLAURX	DATE 2012/11/19	TITLE IMPEL DAUGHTERCARD ASSY 4 PAIR - 1.9MM PITCH GUIDE RIGHT SALES DWG		
		2 PLACES ± 0.13 ± ---	1 PLACE ± 0.25 ± ---	CHECKED BY	DATE	molex		
		0 PLACE ± --- ± ---	ANGULAR ±1/2°	APPROVED BY JB INGHAM	DATE 2014/06/06	DOCUMENT NO. SD-171320-0004	SHEET NO. 1 OF 2	
DRAFT WHERE APPLICABLE MUST REMAIN WITHIN DIMENSIONS	SIZE C	THIS DRAWING CONTAINS INFORMATION THAT IS PROPRIETARY TO MOLEX INCORPORATED AND SHOULD NOT BE USED WITHOUT WRITTEN PERMISSION						

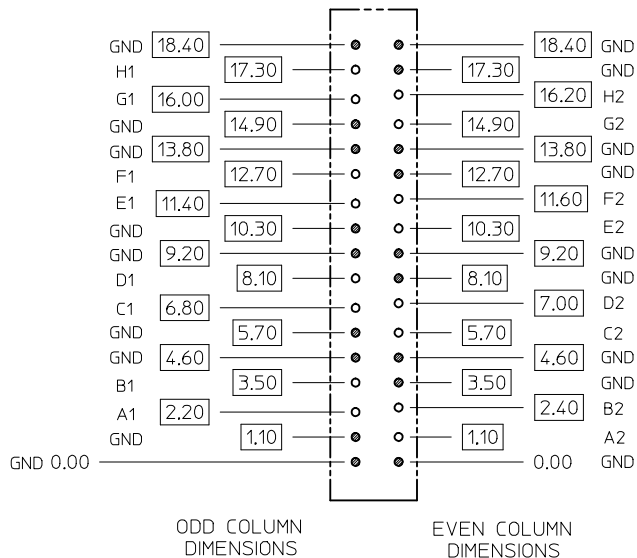
MATERIAL NUMBER	NUMBER OF COLUMNS	NUMBER OF DIFF PAIR	DIM "A"	DIM "B"
171320-5*36	6	24	19.60 MAX	9.50
171320-5*38	8	32	23.40 MAX	13.30
171320-5*20	10	40	27.20 MAX	17.10
171320-5*22	12	48	31.00 MAX	20.90
171320-5*26	16	64	38.60 MAX	28.50

171320-5***

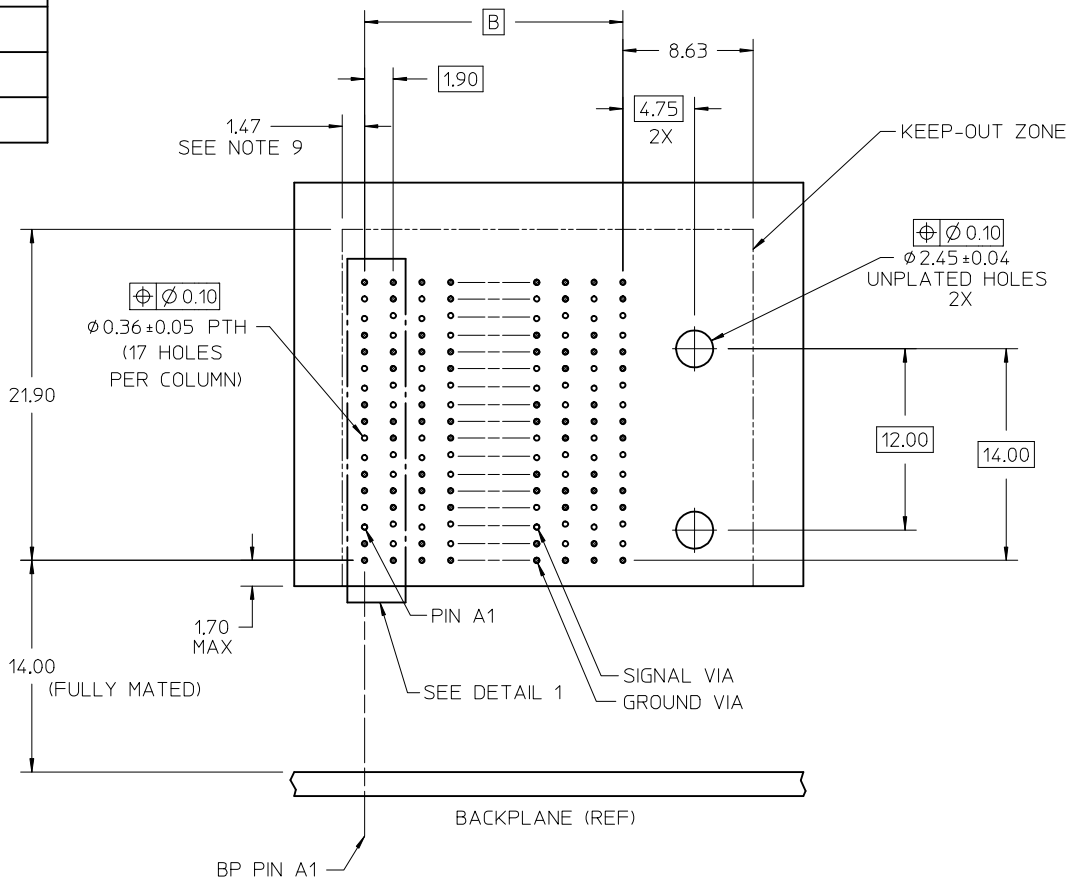
MODULE TYPE
5 = GUIDE RIGHT

KEY ORIENTATION
0 = NO KEY
1 = A 5 = E
2 = B 6 = F
3 = C 7 = G
4 = D 8 = H

COLUMN SIZE
36 = 6 COLUMN
38 = 8 COLUMN
20 = 10 COLUMN
22 = 12 COLUMN
26 = 16 COLUMN



DETAIL 1
SCALE 6:1



DAUGHTERCARD HOLE PATTERN
(CONNECTOR SIDE)

SEE SHEET 1 EC NO: UCP2014-5067 DRWN: LAURX 2014/06/02 CHKD: APPR: BINGHAM 2014/06/06	QUALITY SYMBOLS ▽=0 ▽=0 ▽=0	GENERAL TOLERANCES (UNLESS SPECIFIED)		DIMENSION STYLE MM ONLY	SCALE 4:1	DESIGN UNITS METRIC	THIRD ANGLE PROJECTION		
		4 PLACES ± --- ± ---	3 PLACES ± --- ± ---	2 PLACES ± 0.13 ± ---	1 PLACE ± 0.25 ± ---	0 PLACE ± --- ± ---	DRAWN BY JLAURX	DATE 2012/11/19	TITLE IMPEL DAUGHTERCARD ASSY 4 PAIR - 1.9MM PITCH GUIDE RIGHT SALES DWG
		ANGULAR ±1/2°		APPROVED BY JB INGHAM		DATE 2014/06/06	DOCUMENT NO. SD-171320-0004		
		DRAFT WHERE APPLICABLE MUST REMAIN WITHIN DIMENSIONS		MATERIAL NO. SEE CHART		SHEET NO. 2 OF 2		THIS DRAWING CONTAINS INFORMATION THAT IS PROPRIETARY TO MOLEX INCORPORATED AND SHOULD NOT BE USED WITHOUT WRITTEN PERMISSION	